

High Pressure Cleaners

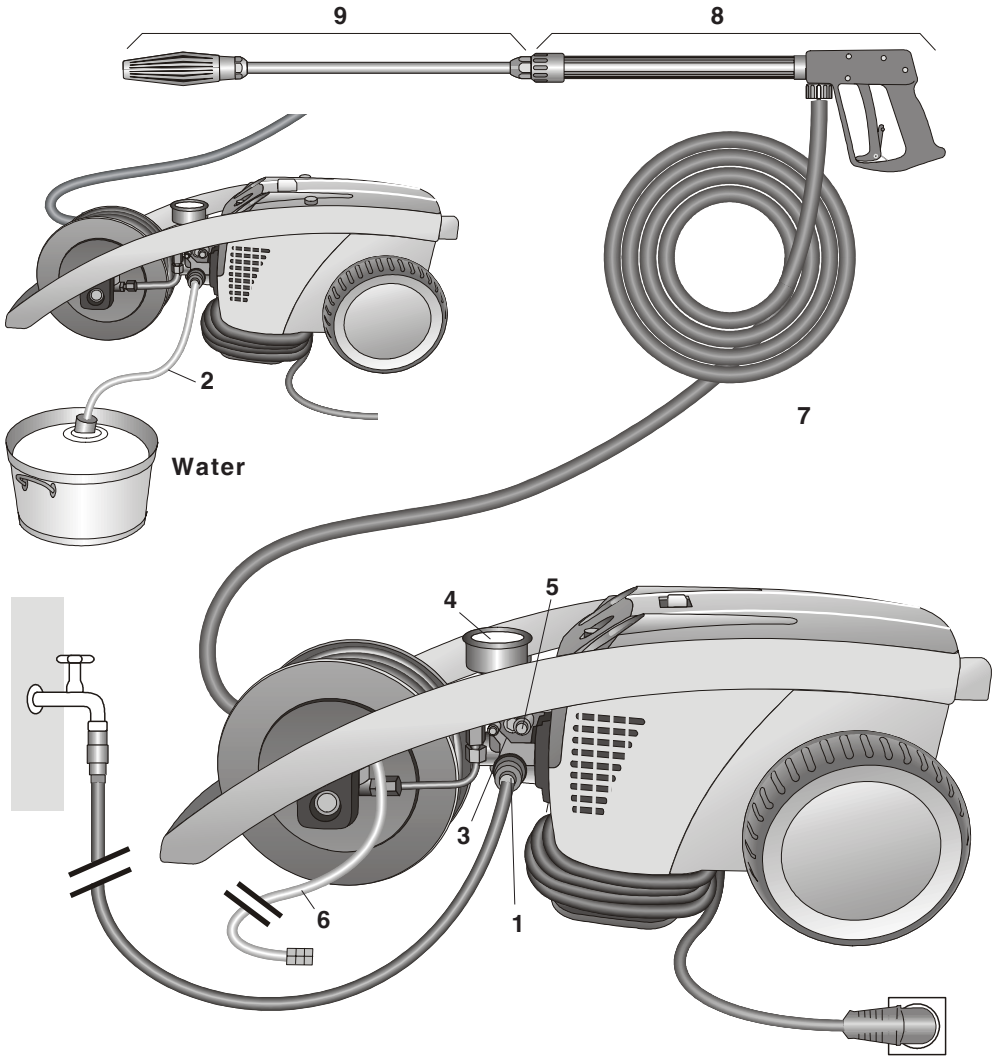


1120/1120 T
(110-127 V / 60 Hz)

1150/1150 T
(220-240 V / 50/60 Hz)

Operating manual
Read and conform
safety instructions
before use

Description



Construction

The KRÄNZLE 1120 / 1120 T + 1150 / 1150 T - high pressure cleaners are mobile machines. The design can be seen from the diagram.

Item

- | | | | |
|---|---|---|--|
| 1 | Water inlet connection with filter | 6 | High pressure injector for cleaning agents |
| 2 | Suction hose with filter (special accessory) Order no. 15.038 3 | 7 | High pressure hose |
| 3 | High pressure pump | 8 | Spray gun |
| 4 | Press. gauge with glycerin filling | 9 | Interchangeable lance with reg. nozzle |
| 5 | Unloader valve - safety valve | | |

Description

Water and Cleaning / Pflegemittel System

Water can be connected at mains pressure to the high pressure pump or it can be sucked directly from a storage tank. The water is then forced under pressure by the high pressure pump to the lance. The high pressure jet is formed by the nozzle at the end of the lance.



Detergent and caring agents can be added through a high pressure injector. Up to max 20m HD hose length.

The rules concerning the environment, refuse and ground water protection must be complied with!

(Information to be obtained from environmental dept, town works, etc.)

Lance with trigger gun

The machine can only be operated when the safety trigger is squeezed. When the lever is squeezed, the spray gun opens. The liquid is then pumped to the nozzle. The spray pressure increases and quickly reaches the selected operating pressure.

When the trigger is released, the trigger gun closes and any further spraying of liquid from the lance is stopped.

The increase in pressure when the trigger gun is closed causes the unloader valve-safety valve to open. The pump remains switched on and continues to pump liquid through the pump at reduced pressure. When the trigger gun is opened, the unloader valve - safety valve closes and the pump resumes pressure spraying from the lance



The trigger gun is a safety device. Repairs should only be performed by qualified persons. Should replacement parts be required, use only components authorized by the manufacturer.

Unloader valve - safety valve

The unloader valve - safety valve protects the machine from a build up of excess pressure, and is designed not to permit an excess pressure to be selected for operation. The limit nut on the handle is sealed with a spray coating.

**(see page 22: "Stopping leaks from the hose or gun".)*

The operating pressure and spray rate can be steplessly adjusted by turning the handle.



Replacements, repairs, new adjustments and sealing should only be performed by qualified persons.



Motor protection switch

The motor is protected from overload by a motor protection switch, which automatically cuts out the motor in the event of overload. However should the switch trip frequently, the cause of the malfunction should be located and rectified (see page 6).



Replacements and inspection work should only be performed by qualified persons **when the machine is disconnected from the power supply, i.e. pull out the plug from the electrical socket.**

Setting up

Location



Neither set up and operate the machine in rooms where there is a risk of fire or explosion nor put it into puddles. Do not use the machine under water.

CAUTION !



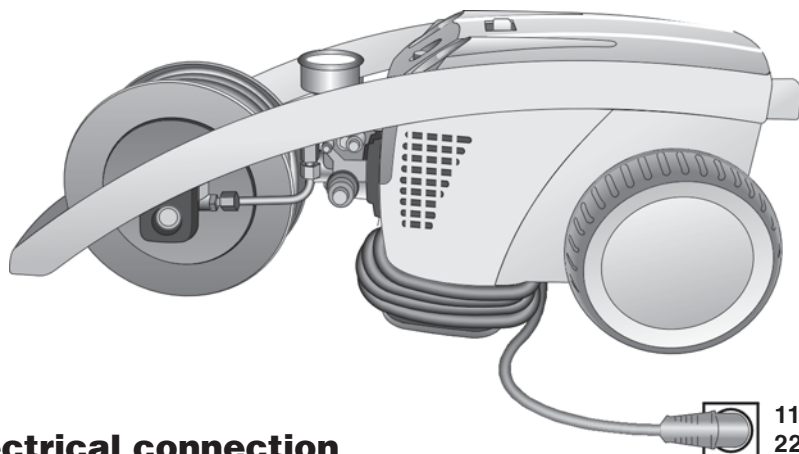
Never use liquid containing solvents such as paint thinners, petrol, oil or similar liquid matter. **Pay attention to the instructions of the manufacturers of the cleaning agents.** The seals in the machine are not resistant to solvents. The spray of solvents is inflammable, explosive and poisonous.

CAUTION !



When running your high pressure cleaner with hot water of 60° C raised temperatures occur. **Do not touch the machine without safety gloves!**

Description



110 V - 127 V
220 V - 240 V

Electrical connection

The machine is supplied with an electrical power cord with plug.

The mains plug must be fitted to a standard grounded socket with a **30mA** residual current operated device. The socket must be protected with a **16A** delay action fuse on the mains side.



KRÄNZLE 1150 / 1150 T - 220-240 Volt 50 Hz
KRÄNZLE 1120 / 1120 T - 110-117 Volt 60 Hz
KRÄNZLE 1150 / 1150T - 220-240 Volt 60 Hz

When using an extension cable, this must have an earthed lead which is properly connected to the socket. The conductors in the extension cable must have a minimum cross section of 1.5 mm². Plug connections must be of a spray-proof design, and may not be located on a wet floor.

(with extension cables of more than 10 m - 2.5 mm²)

CAUTION !

The use of extension cables which are too long may lead to malfunctions and start up difficulty.

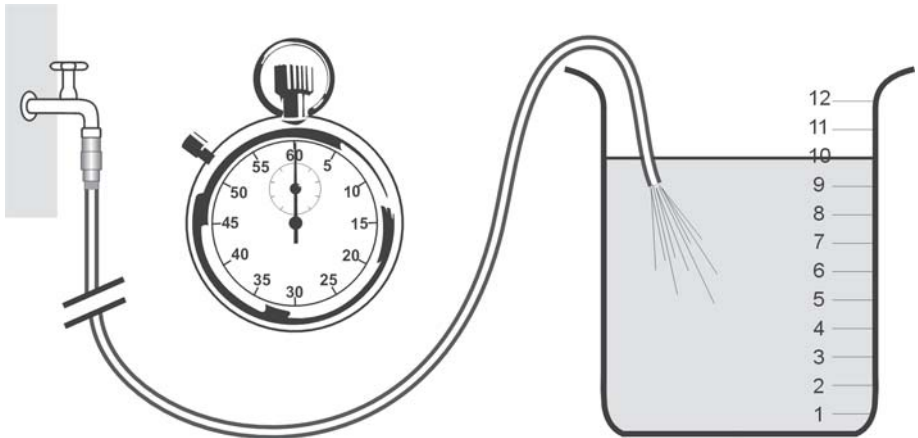
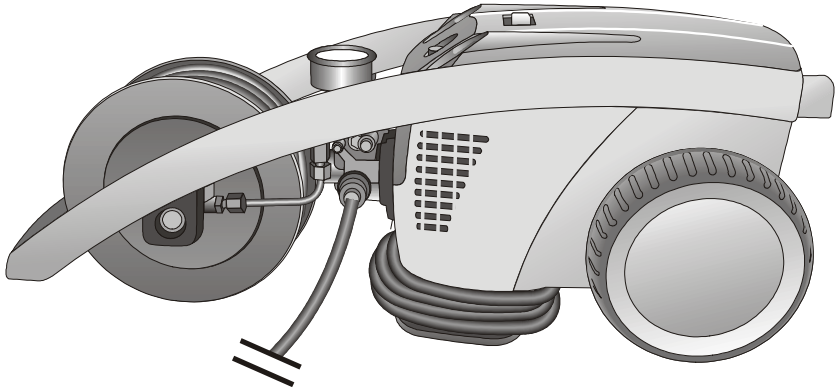
When using a cable drum, always keep the cable wound as far as possible.

Description



Water connection:

Please check that the high pressure cleaner has available the quantity of water specified on page 2 (techn. specs.) (Litres per minute) .



Test:

Allow the water supply hose to run for 1 minute into a bucket.

The received quantity of water must be at least the quantity given on page 2 !!!



Lack of water causes fast wear on seals (no warranty)

Description



Brief operating instructions

When operating your high pressure cleaner pay attention that it is in a horizontal position.

1. Connect the high pressure hose with spray gun.
2. Connect to suitable water supply.
3. Flush the air from the pump (open and close the spray gun several times)
4. Make the electrical connection
5. Switch on the machine with opened spray gun and commence cleaning.
6. After completing the work, completely empty the pump (switch the motor on for approximately 20 seconds without the suction and spray gun).

- Only use clean water ! Protect from frost !

CAUTION !

Please pay attention to the regulations of your waterworks company. In accordance with EN 61 770, the machine may not be directly connected to the public drinking water supply lines.

A brief connection however is permissible according to DVGW (German Association for Gas and Water Affairs) if a tube ventilator with check valve (Kränzle Order-No. 41.016 4) is built into the water supply.

Also indirect connection to the public drinking water supply lines is permissible by way of free emission in accordance with EN 61 770; e.g. by using a reservoir with a float valve.

Direct connection to a non-drinking water supply line is permissible.

High pressure hose and spray device

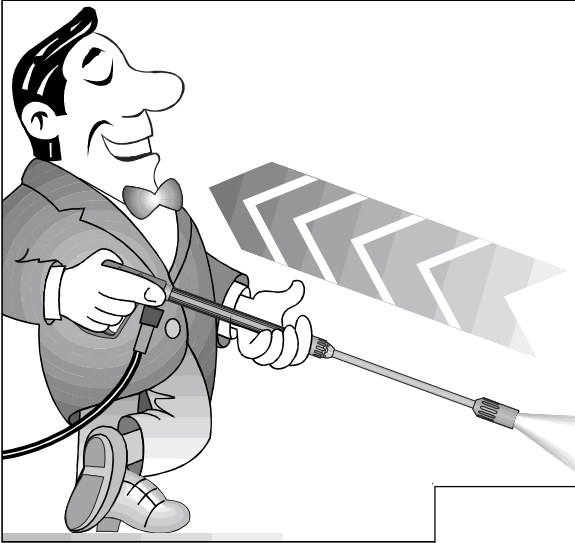
The high pressure hose and spraying device supplied with the machine are made of high grade material, they are also optimized for the machine and marked as required by the appropriate regulations.

- Hose length max. 20m.



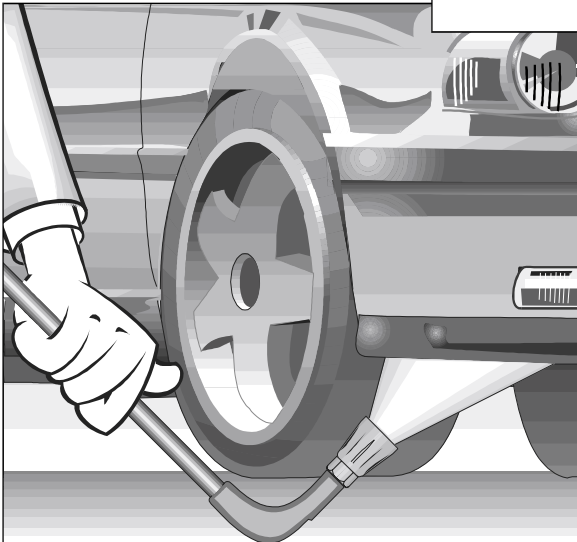
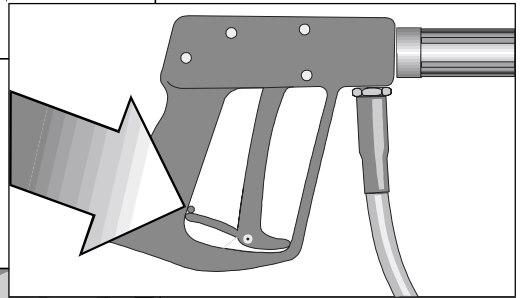
If replacement parts are required, only such parts that are authorized by the manufacturer and which bear the markings required by the appropriate regulations may be used. The high pressure hose and spray device must be connected in a pressure-tight manner (no leak). The high pressure hose may not be driven over, pulled excessively, or twisted. The hose may under no circumstances be pulled over sharp edges, since otherwise the guarantee is automatically void.

Safety notes



As to the recoil -
see notice on page
2!

Apply the safety catch on
the spray gun after each
use, in order to prevent
unintentional spraying!



Always aim the
underbody lance.
Note when using an
angled underbody
lance, like for exam-
ple lance No. 41.075
1, that there is a
certain amount of
torque in the recoil.
(See also notice on
page 2)

This is what you've purchased:



1. Dirtkiller with nozzle 045
(at 1120 T and 1150 T)

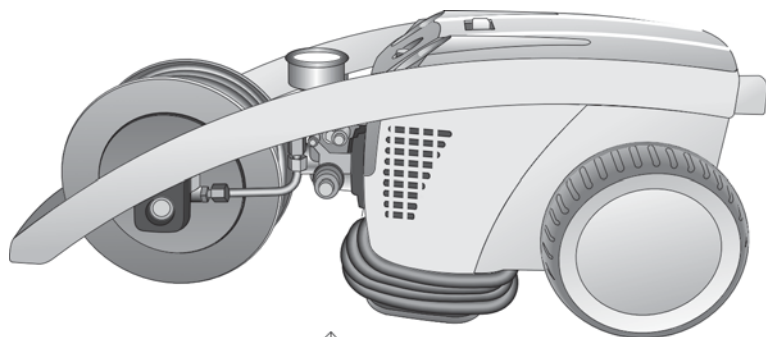


2. Spray lance with
Vario - Jet nozzle



3. Spray gun with
insulated pistol grip
and screw connection

4. KRÄNZLE - High pressure cleaners 1120 T / 1150 T (50/60 HZ) with hose drum and 15 m high pressure hose with steel reinforcement



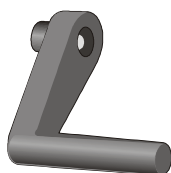
5. Crosstip screwdriver



Fixing screw for crank



7. Crank for hose drum



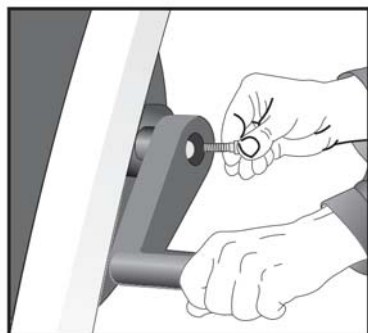
6. Operating
instructions



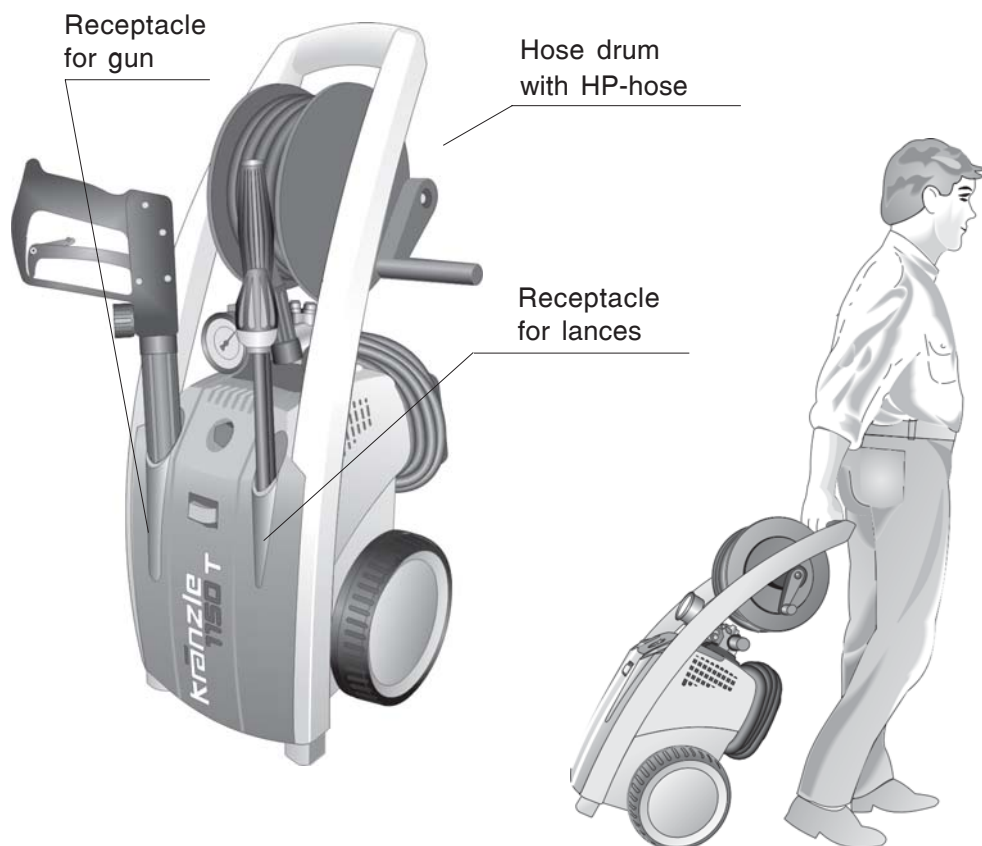
8. Water inlet components



How to assemble and furnish your high pressure cleaner



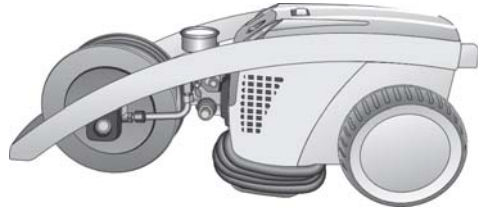
Put high pressure cleaner into upright position. Remove the screw from the brass element. Put the crank on the hexagon and fasten with the screw.



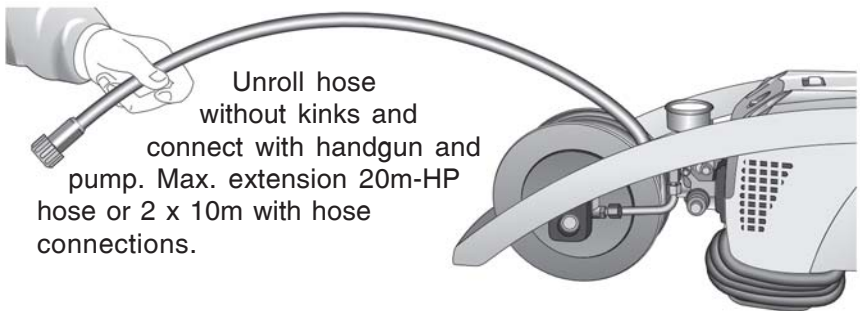
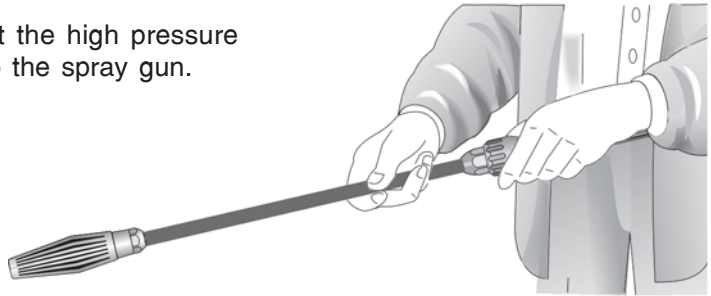
Preparation for use

1. Put high pressure cleaner into horizontal position!

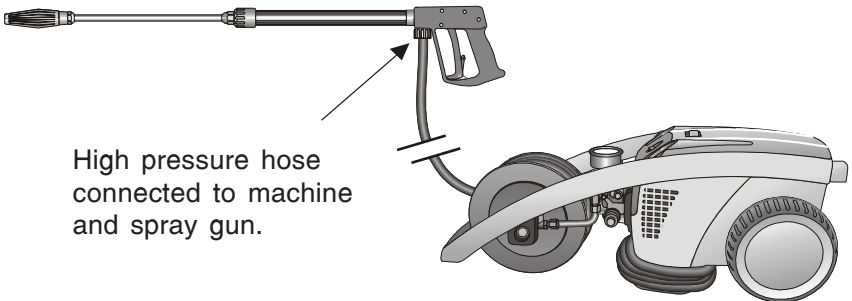
THE HIGH PRESSURE CLEANER IS ONLY TO BE OPERATED IN HORIZONTAL POSITION !



2. Connect the high pressure lance to the spray gun.

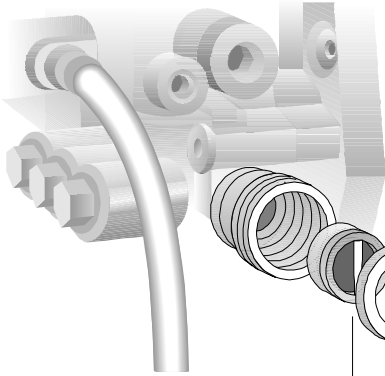


Unroll hose without kinks and connect with handgun and pump. Max. extension 20m-HP hose or 2 x 10m with hose connections.



High pressure hose connected to machine and spray gun.

Preparation for use



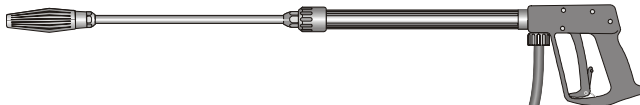
Please make sure that the filter is clean before using your high pressure cleaner.

4. The machine can be connected to a pressurised water line with 60°C hot water (see page 2). Ensure that the water supply is clean when sucking from external sources. The hose cross section must be at least 1/2" = 12.7 mm (free passage). Filter 1 must always be clean.

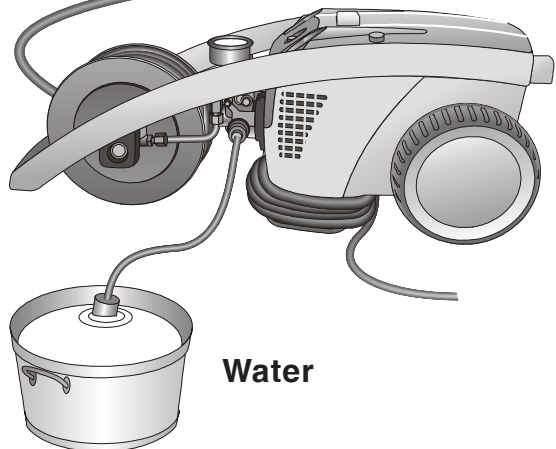
CAUTION !



When running your high pressure cleaner with hot water of 60° C raised temperatures occur. Do not touch the pump without safety gloves!



5. Maximum induction height 1,0 m see technical data on page 2



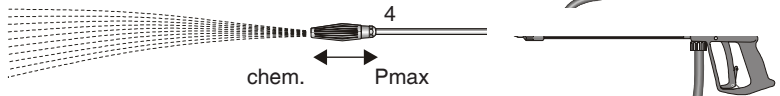
Preparation for use

Adjusting the pressure

This is accomplished by turning the handwheel. The default setting is maximum pressure.

When using cleansing agents:

Unwind HP-hose completely.
Place chemical filter no. 5 in the reservoir with the cleansing agent.
Turn on Vario-Jet No. 4 to enable the injector to induct the cleansing agent. By turning back the Vario-Jet nozzle, the supply of chemical is automatically cut off. Allow the cleansing agent to take effect and then remove with high pressure spray.



Max high pressure hose length 20m

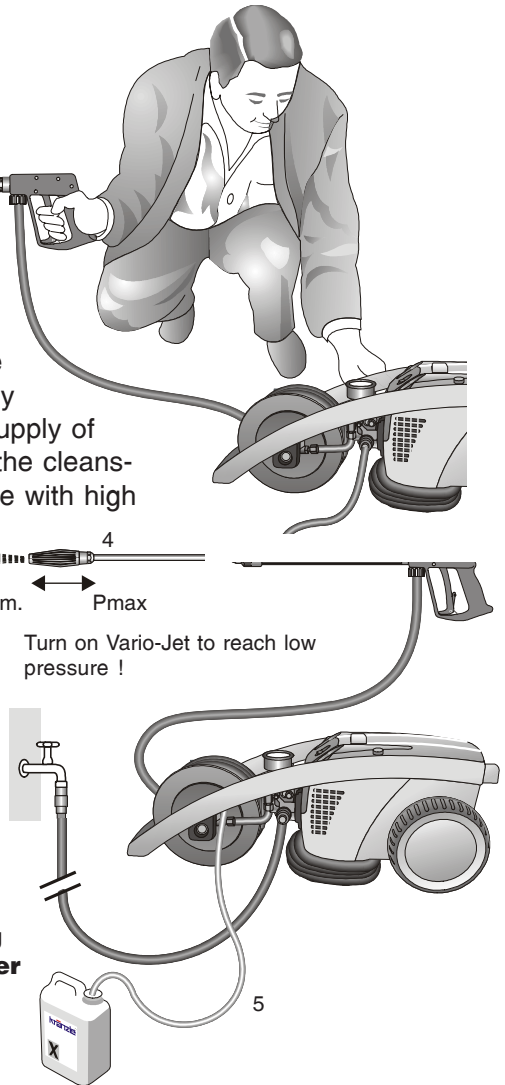
A mixing ratio of 3-5% is achieved when the Vario-Jet is fully turned on. pH value neutral 7-9.



Note that you must always comply with the instructions provided by the manufacturer of the cleansing agent (e.g. instructions concerning safety clothing) and the water protection regulations!

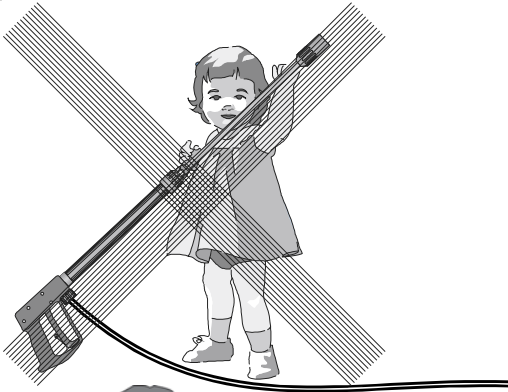
To shut down the pump:

1. Switch off the machine.
2. Cut off the water supply.
3. Open the spray gun briefly until the pressure is released.
4. Apply the safety catch on the spray gun.
5. Remove the water hose and spray gun.
6. Drain the pump: switch on the motor for approx. 20 seconds.
7. Pull the plug from the socket.
8. Winter: store the pump in rooms above 0°C.
9. Clean the water filter.

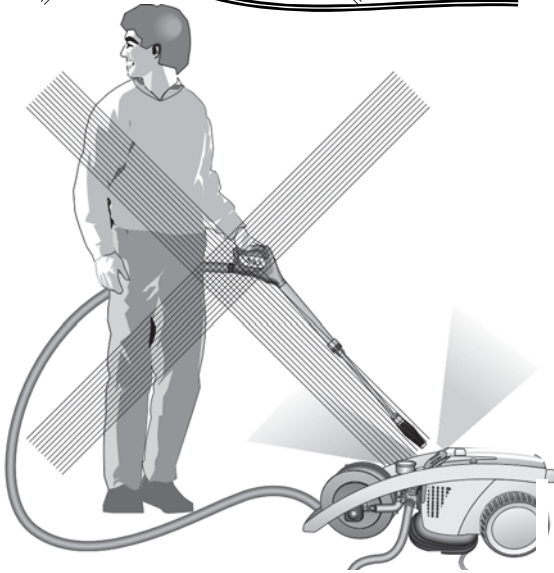


Turn on Vario-Jet to reach low pressure !

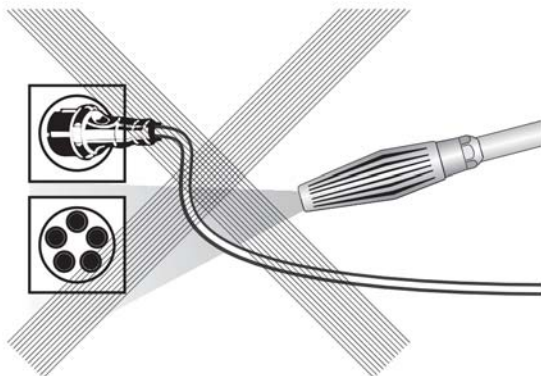
This is prohibited !



Never allow children to use the high pressure cleaner !

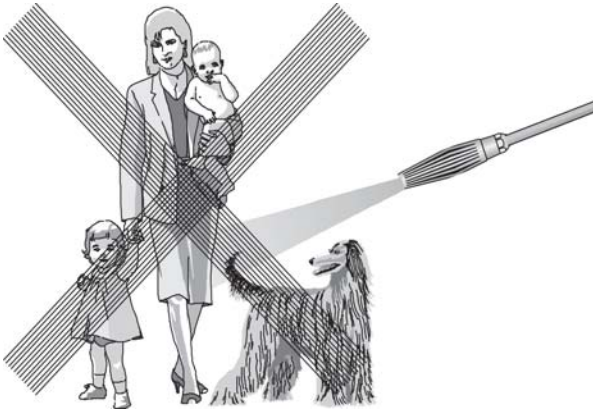


Never direct the water jet at the machine itself !

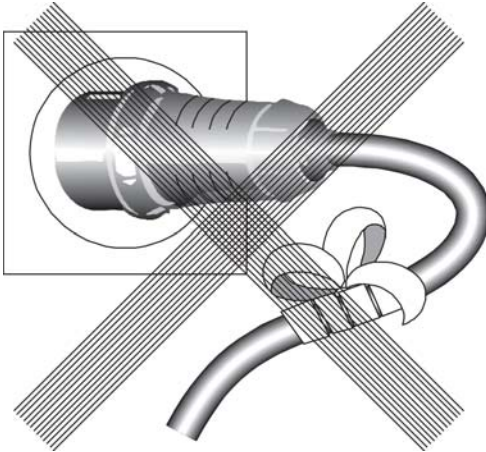


Never direct the water jet at a power socket !

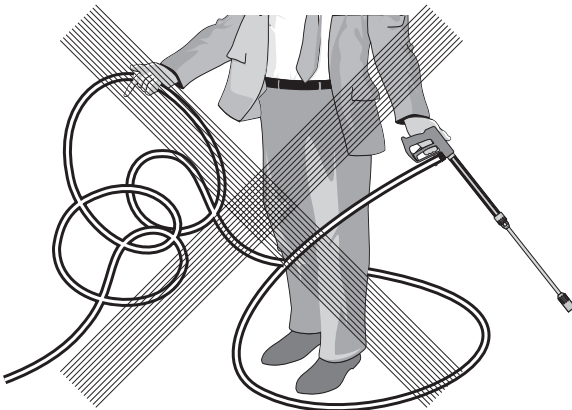
This is prohibited !



Never direct the water jet at people or animals !



Do not damage the power cord or repair it incorrectly !



**Never pull the high pressure hose if it has formed kinks or "nooses"!
Never pull the hose over sharp edges !**

Additional KRÄNZLE-accessories for ...



Rotary scrubbing brush

Order No. 41.050 1

Drain and pipe cleaning hose

10 m - Order No. 41.058 1

15 m - Order No. 41.058

Underbody lance, new

Order No. 41.075 1

Sandblaster

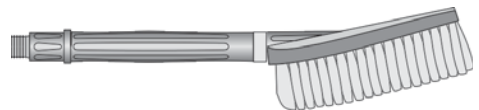
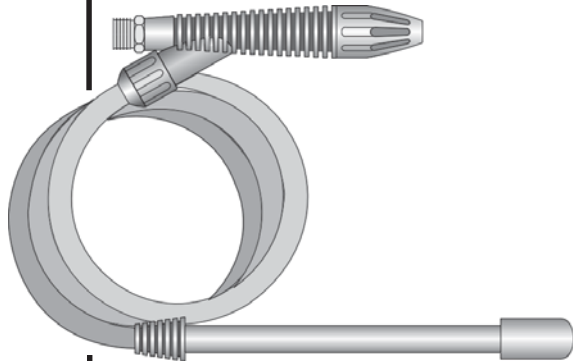
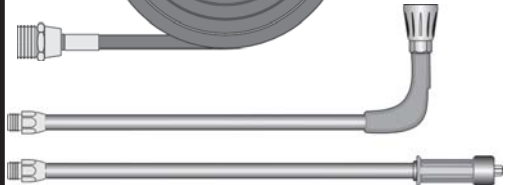
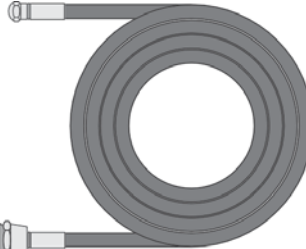
Order No. 41.068 1

Flat brush

Order No. 41.073

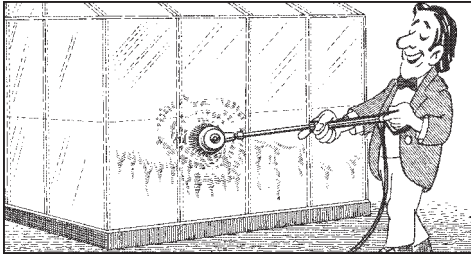
Dirtkiller

Order No. 41.072 5

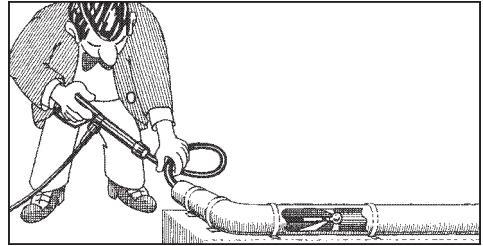


Environmental, refuse disposal and water protection regulations must be observed when using the accessories!

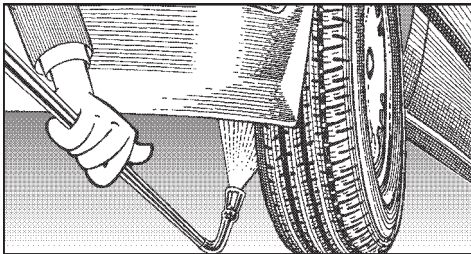
... for further combination possibilities



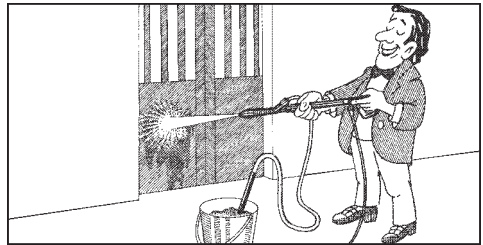
Car cleaning, glass, caravan, boat etc.
rotary washing brush with 40 cm extension
and ST 30 nipple M 22 x 1,5



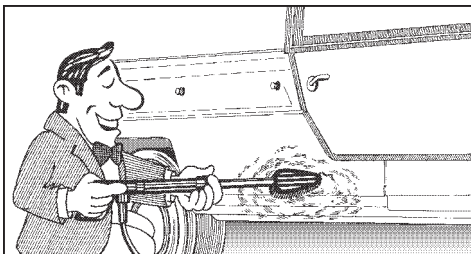
Cleaning pipes, channels and drains:
pipe cleaning hose with KN nozzle
and ST 30 nipple M 22 x 1,5



Underbody cleaning of cars, trailers and
equipment: lance 90 cm with high pressure
nozzle and ST 30 nipple M 22 x 1,5.
The lance must be aimed when spraying.



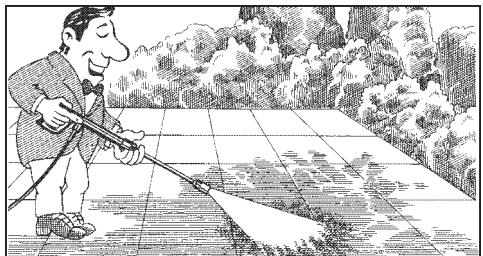
Blasting old paint, rust and facades: sand-
blasting injector with suction lance, 3 m
PVC hose and ST 30 nipple.



Cleaning cars and all smooth surfaces :
brush with ST 30 nipple.



**When sandblasting you
must wear protection
clothes! Pay attention to
the instructions of the
manufacturer of the
abrasive!**

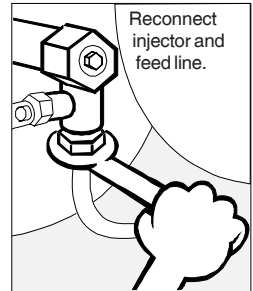
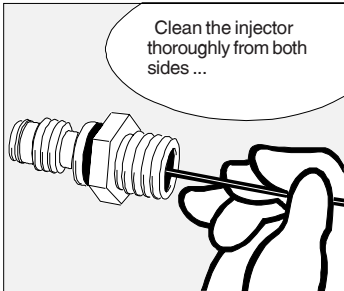
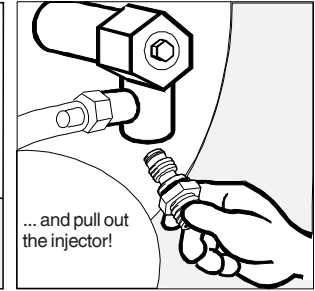
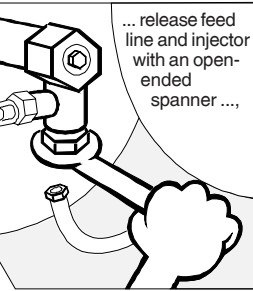
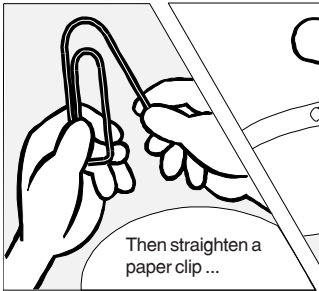
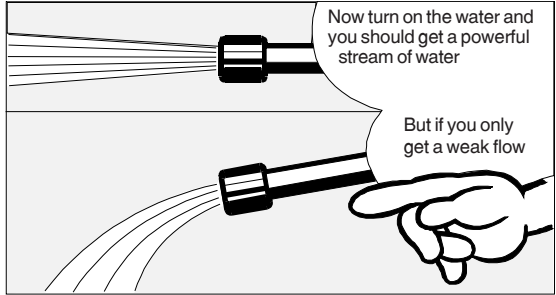
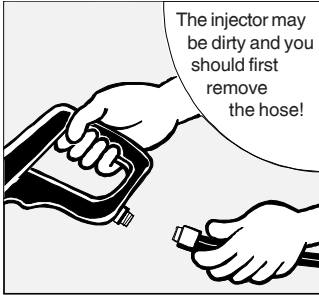


Rotary point sprayer for extreme soiling.
Dirtkiller with 40 cm extension and ST 30
nipple.

Small repairs - Do it yourself!

You only get a weak flow of water or no water at all!

- The pressure gauge shows a 10% higher pressure than the working pressure.

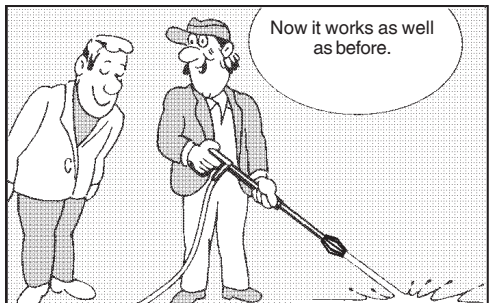
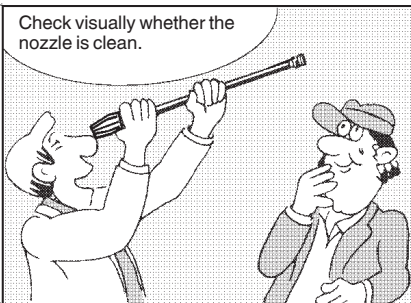
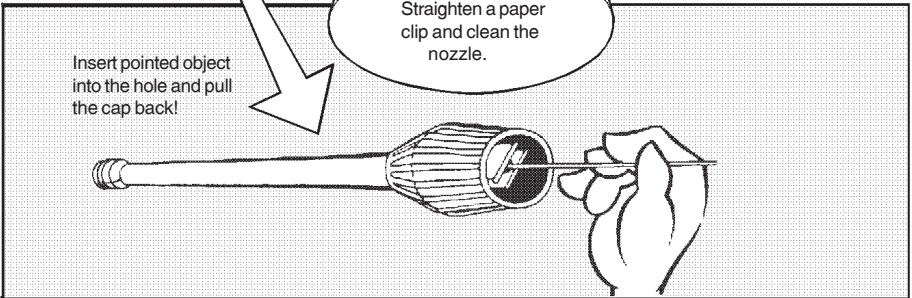
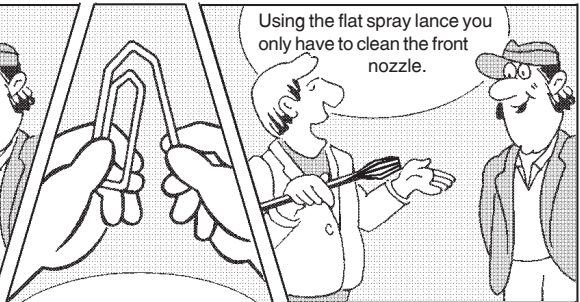
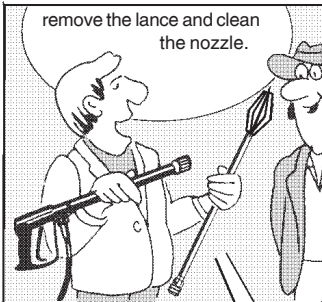
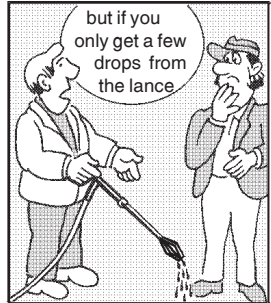
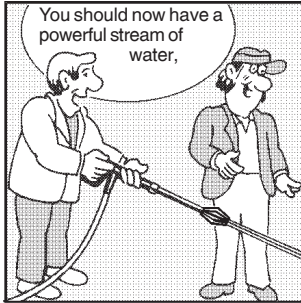
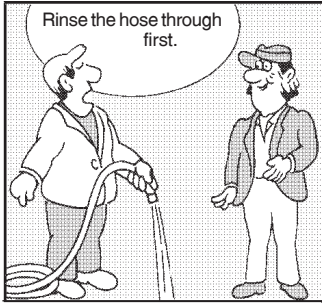


Small repairs -



The nozzle is blocked!

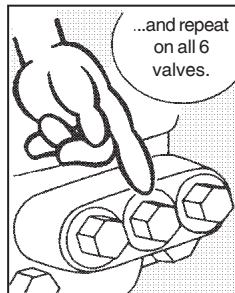
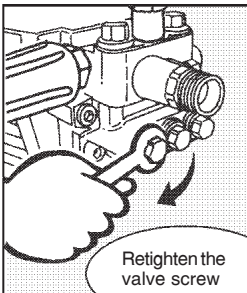
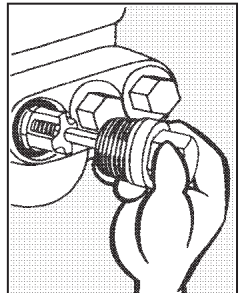
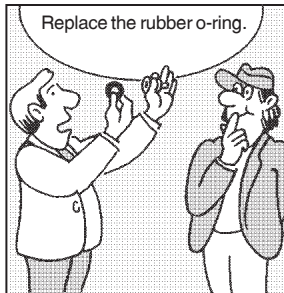
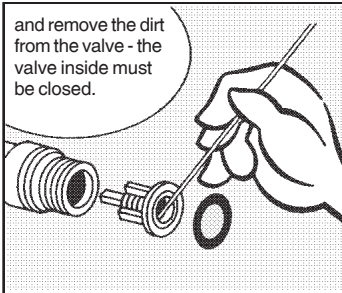
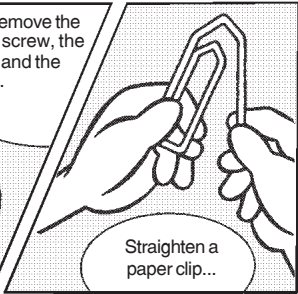
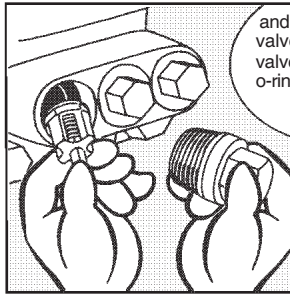
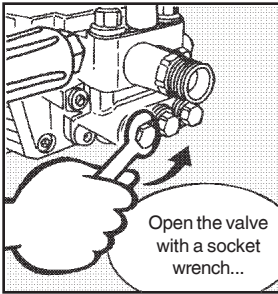
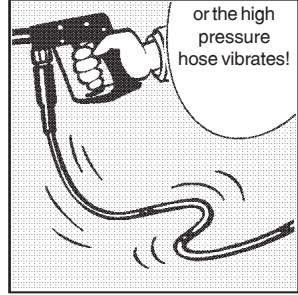
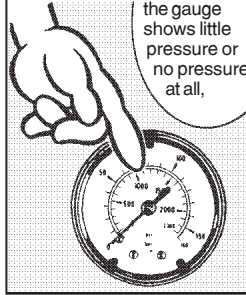
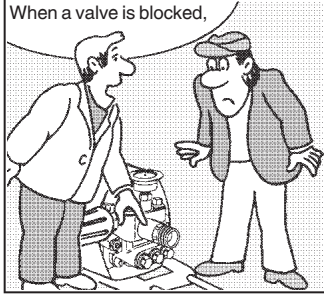
- No water but the gauge shows full pressure !



- Do it yourself!

Nozzle dirty or sticky!

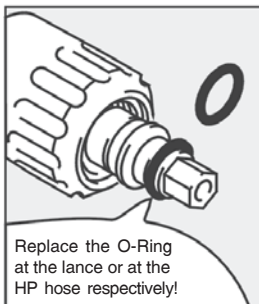
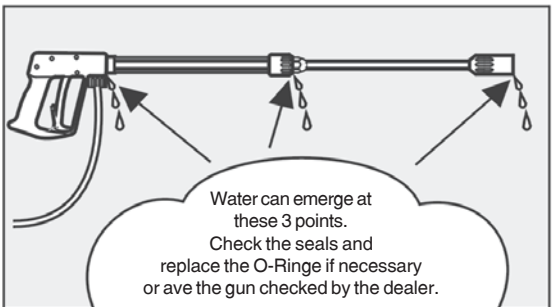
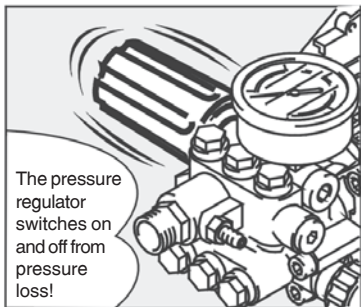
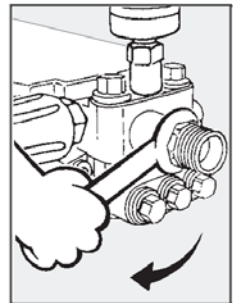
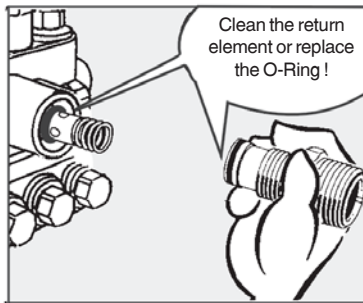
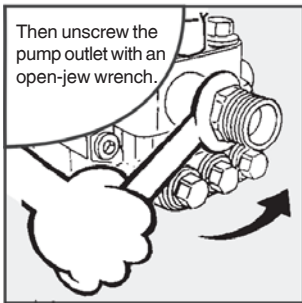
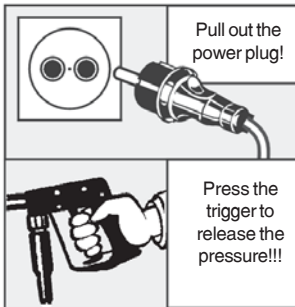
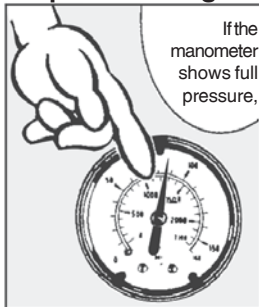
- Pressure gauge does not show full pressure.
 - Water comes out in spurts.
 - If you do not use the high-pressure cleaner for some time the valves can stick
- The high-pressure hose vibrates.



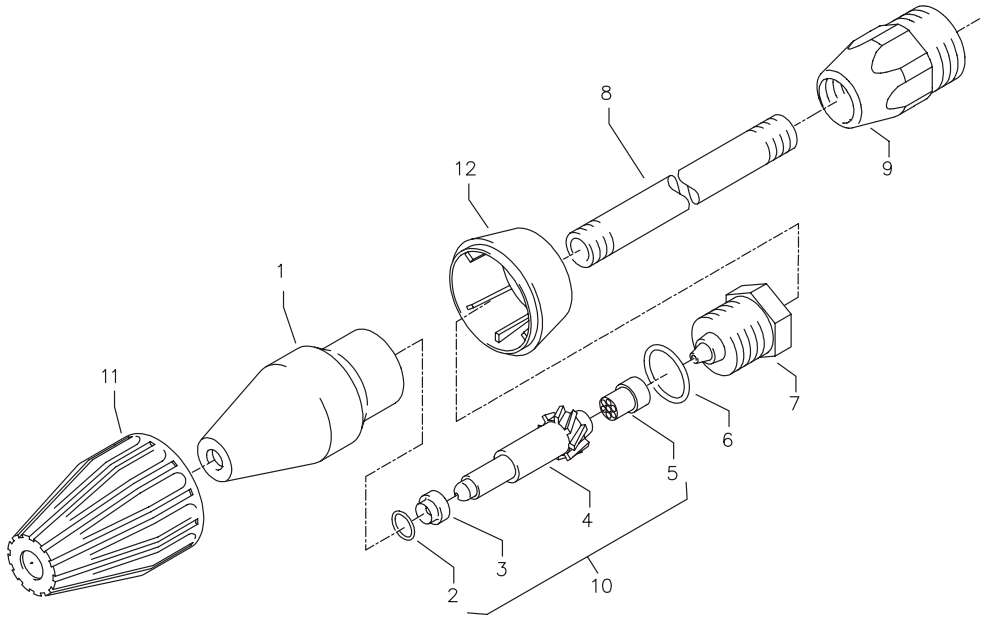
Small repairs - Do it yourself!

Stopping leaks from hose or gun

- After closing the gun the manometer shows full pressure !
- The pressure regulator switches on and off continuously!



Dirtkiller (special accessory)



No	Description	Qty.	Ord.-No
1	Sprühkörper	1	41.520
2	O-Ring 6,88 x 1,68	1	41.521
3	Düsensitz	1	41.522
4	Düse 045	1	41.523
5	Stabilisator	1	41.524
6	O-Ring	1	40.016 1
7	Sprühstopfen	1	41.526
8	Rohr 400 mm 2x M 12 x 1	1	41.527
9	ST 30-Nippel M 22 x 1,5 / M 12 x 1 ISK	1	13.363
11	Kappe vorn für Schmutzkiller	1	41.528 1
12	Kappe hinten für Schmutzkiller 045	1	41.540 2

Rep-kit Dirtkiller 045

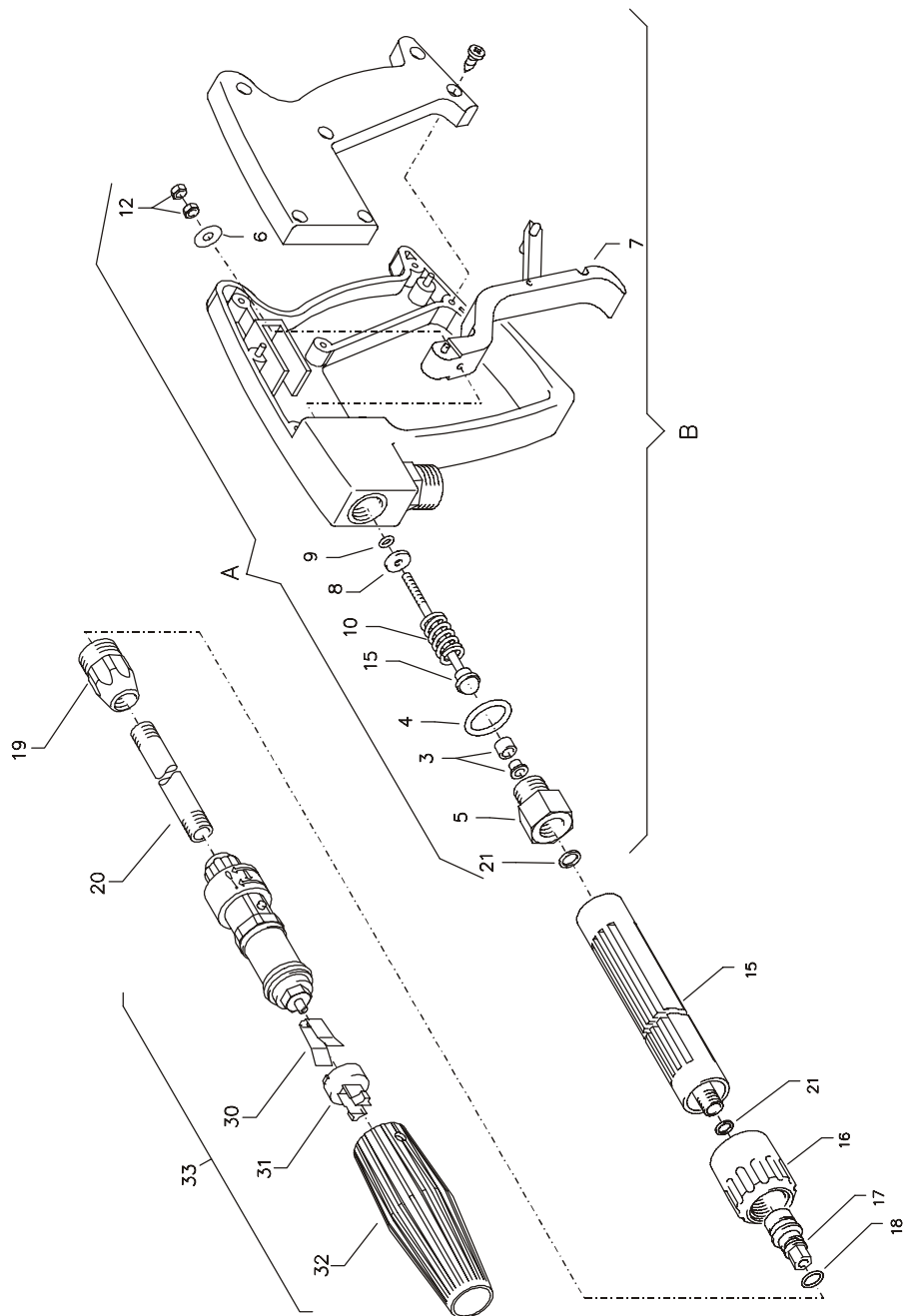
consisting of: 1x 2; 3; 4; 5

41.097

Dirtkiller 045 compl. with lance

41.072 5

Gun with lance

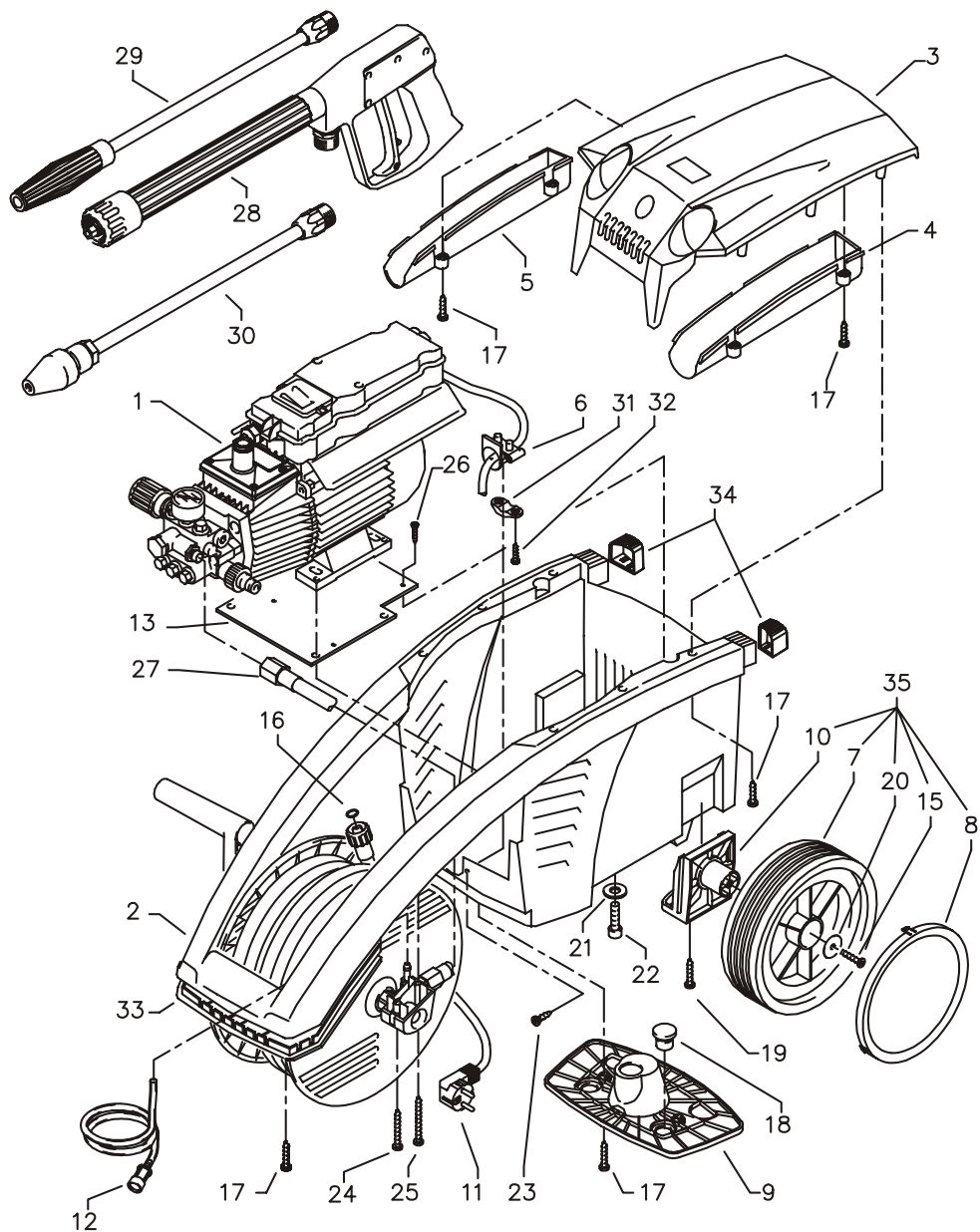


KRÄNZLE 1120 - 1150 T

Spare parts list KRÄNZLE 1120/1120 T; 1150/1150 T Gun with lance

No	Description	Qty.	Ord.-No
5	Rohranschlußteil R1/4" incl. Pos. 3, 4, 21	1	12.125
6	Scheibe 5,3 DIN9021	1	50.152
7	Abzug-Hebel kpl.	1	12.144 1
15	Rohr kunststoffumspritzt bds. R 1/4" AG	1	15.004 2
16	Überwurfmutter ST 30 M22 x 1,5 IG	1	13.276 1
17	Außen-Sechskant-Nippel R 1/4" IG	1	13.277 1
18	O-Ring 9,3 x 2,4	1	13.273
19	ST 30-Nippel M 22 x 1,5	1	13.363
20	Rohr 400 lang, bds. M12 x 1	1	15.002
21	Aluminium Dichtring	6	13.275 1
30	Klemmstück	1	41.155 2
31	Halterung für Klemmstück	1	41.155 4
32	Kunststoffhülle	1	41.155 1
33	Vario-Jet 045	1	41.155 6
A	Rep.-Kit Pos: 3, 4, 5, 8, 9,10, 12, 15,21		12.158
B	Griff komplett		12.164
	Midi-Pistole kpl.		12.160
	Lanze kpl. mit Vario-Jet		41.156

Complete assembly

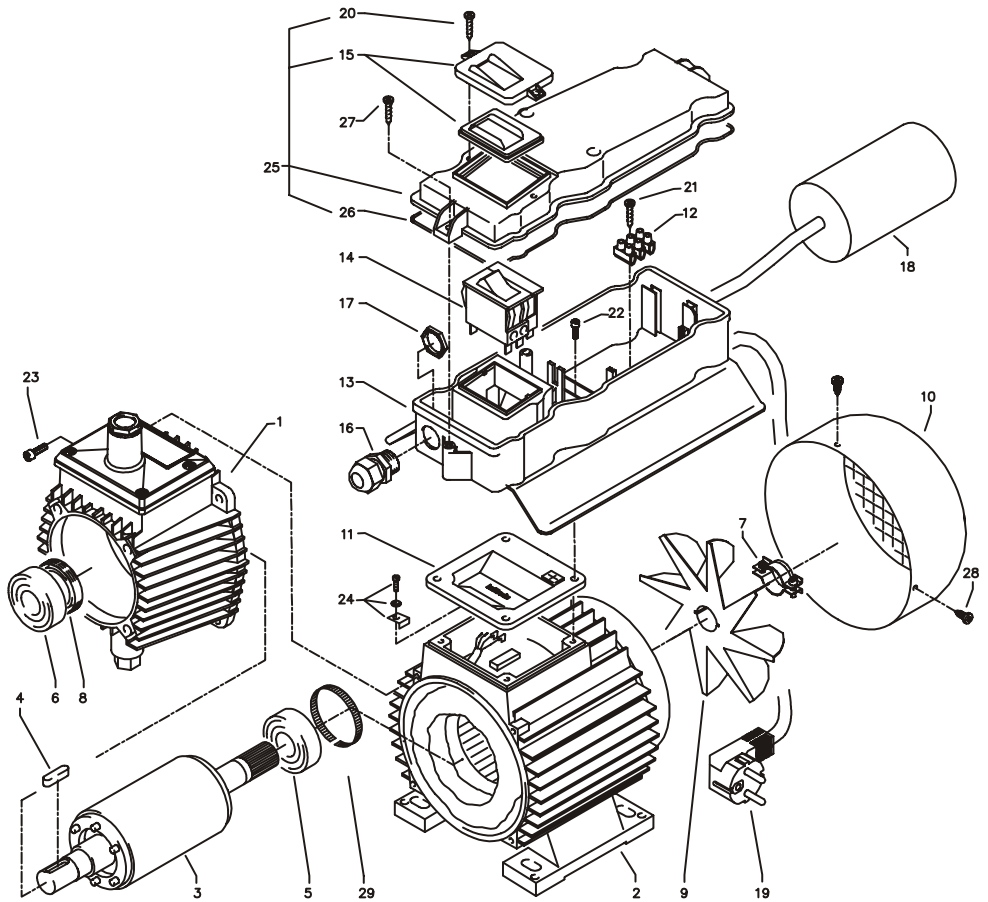


KRÄNZLE 1120 - 1150 T

Spare parts list KRÄNZLE 1120 - 1150T Complete assembly

No	Description	Qty.	Ord.-No
1.1	Motor-Pumpe K1150 ohne Schaltkasten	1	44.542
1.2	Motor-Pumpe K1150 mit Schaltkasten	1	44.542 1
1.3	Motor-Pumpe K1150T ohne Schaltkasten	1	44.543
1.4	Motor-Pumpe K1150T mit Schaltkasten	1	44.543 1
2	Fahrgestell	1	44.502
3	Frontplatte " K 1150 "	1	44.503 1
3.1	Frontplatte " K 1150 T "	1	44.503
4	Köcher groß	1	44.506
5	Köcher klein	1	44.507
6	Knickschutz	1	44.509
7	Rad	2	44.538
8	Radkappe	2	45.200 8
9	Kabelhalteplatte	1	44.505
10	Achse	2	44.504
11	Netzanschlußkabel	1	41.092
12	Chemikaliensaugschlauch mit Filter	1	15.038
13	Versteifungsplatte	1	44.511
15	Kunststoffsenschraube 5,0 x 20	2	45.421 1
16	O-Ring 9,3 x 2,4	2	13.273
17	Kunststoffschraube 5,0 x 20	20	43.018
18	Auflagepuffer	2	44.510
19	Kunststoffschraube 5,0 x 30	2	41.412
20	Scheibe 40 x 6 x 1,5 (Stahl)	2	45.216 7
21	Unterlegscheibe 8,4	4	50.186
22	Innensechskantschraube M 8x 30	4	41.036 1
23	Kunststoffschraube 4,0 x 16	2	43.417
24	Kunststoffschraube 5,0 x 50	2	41.411
25	Kunststoffschraube 5,0 x 70	2	44.519
26	Kunststoffschraube 3,5 x 14	2	44.525
27	Anschlußleitung Schlauchtrommel	1	44.520
28	Midi-Pistole	1	12.160
29	Vario-Jet 045 kpl. mit Lanze	1	41.156
30	Schmutzkiller	1	41.072 5
31	Kabelklemme	1	43.431
32	Schraube 3.5 x 16	2	44.161
33	Griffabdeckung	1	44.535
34	Gummipuffer links+rechts	1	44.536
35	Rad kpl. (7, 8, 10, 15, 20)	2	44.538 2

Motor

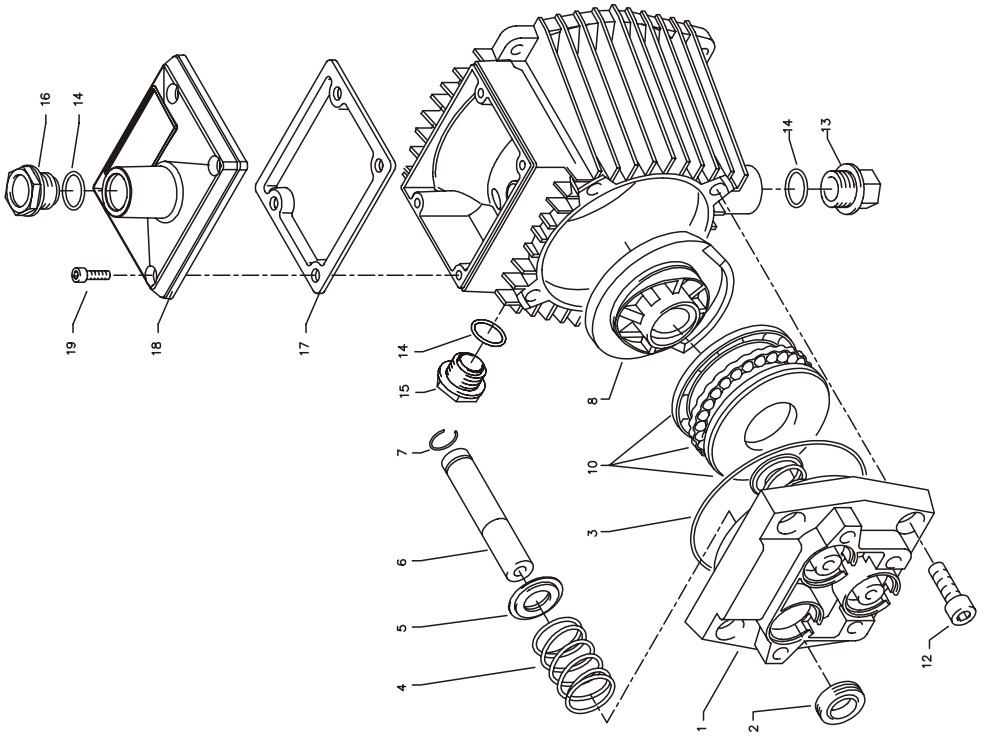


KRÄNZLE 1120 - 1150 T

Spare parts list KRÄNZLE 1120 - 1150 T Motor

No	Description	Qty.	Ord.-No
1	Ölgehäuse	1	44.501
2	Motorgehäuse mit Stator 230 V / 50 Hz	1	23.002
2.1	Motorgehäuse mit Stator 110 V / 60 Hz	1	23.002 2
2.2	Motorgehäuse mit Stator 230 V / 60 Hz	1	23.002 3
3	Motorwelle mit Rotor 230 V / 50 Hz	1	43.024
3.1	Motorwelle mit Rotor 110 V / 60 Hz	1	43.104
3.2	Motorwelle mit Rotor 230 V / 60 Hz	1	43.629
4	Paßfeder 6 x 6 x 20	1	41.483 1
5	Motor-Lager B-Seite Z-Lager	1	43.025
6	Motor-Lager A-Seite Schulterl.	1	43.026
8	Öldichtung 25 x 35 x 7	1	41.024
9	Lüfterrad	1	43.028
10	Lüfterhaube	1	41.497
11	Flachdichtung	1	44.513
12	Lüsterklemme 3-pol.	1	43.031 2
13	Schaltkasten	1	44.508
14	Schalter mit 13,5 A-Überstromauslöser	1	41.110 2
15	Klemmrahmen mit Schalterabdichtung	1	43.453
16	Kabelverschraubung PG 11	1	41.419
17	Gegenmutter PG 11	1	44.521
18	Kondensator 40 µF	1	43.035
	K 1150 / K 1150 T (230V ; 50/60Hz)		
18.1	Kondensator 80µF für	1	43.505
	K 1120 / K 1120 T (110V ; 50/60Hz)		
19	Netzkabel für 230V / 50/60Hz	1	41.092
19.1	Netzkabel für 110V / 60Hz	1	43.512
20	Blechschraube 3,5 x 9,5	2	41.088
21	Blechschraube 2,9 x 16	1	43.036
22	Innensechskantschr. M 5 x 12	4	40.134
23	Innensechskantschr. M 5 x 30	4	42.130
24	Erdungsschraube kpl.	1	43.038
25	Deckel für Schaltkasten	1	44.512
26	Dichtung für Deckel	1	44.522
27	Kunststoffschraube 5,0 x 25	4	41.414
28	Blechschraube 3,9 x 9,5	3	41.636
29	Toleranzhülse	1	43.063 1
	Motor compl. w. oil housing and fan wheel without elect. for 230V / 50 Hz	1	44.530
	Motor compl. w. oil housing and fan wheel without elect. for 110V / 60 Hz	1	44.530 1
	Motor compl. w. oil housing and fan wheel without elect. for 230V / 60 Hz	1	44.530 2

Transmission

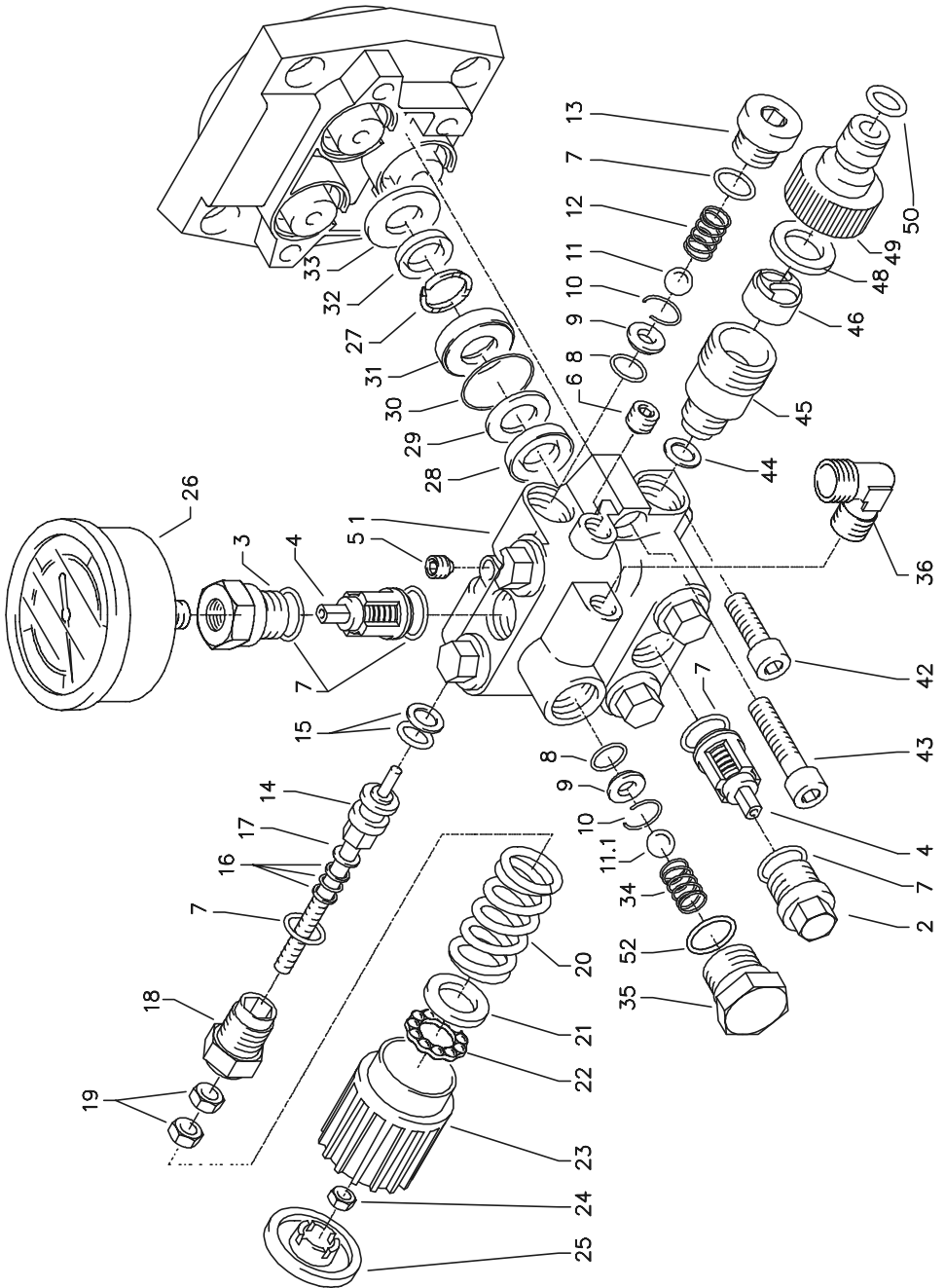


KRÄNZLE 1120 - 1150 T

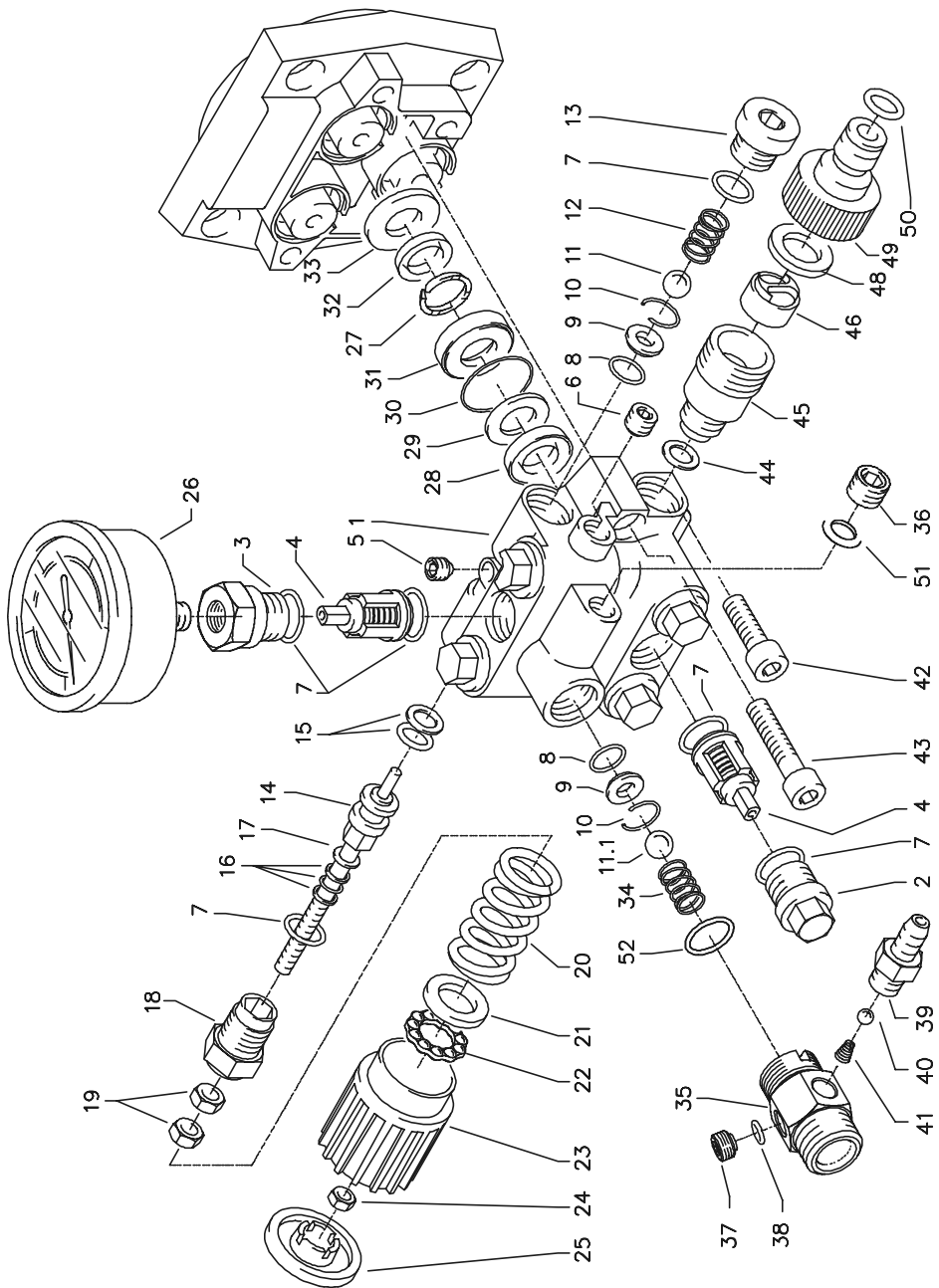
Spare parts list KRÄNZLE 1120 - 1150 T Transmission

No	Description	Qty.	Ord.-No
1	Gehäuseplatte	1	43.003
2	Öldichtung 14 x 24 x 7	3	41.631
3	O-Ring 83 x 2	1	43.039
4	Plungerfeder	3	43.040
5	Federdruckscheibe 14 mm	3	43.041
6	Plunger 14 mm	3	43.005
7	Sprengring 14 mm	3	41.635
8	Taumscheibe 12,0° für K1120	1	41.028-12,0
	Taumscheibe 9,25° für K1150 230V/ 50Hz	1	41.028-9,25
	Taumscheibe 9,25° für K1150 T 230V/ 50Hz	1	41.028-9,25
	Taumscheibe 8,0° für K1150 230V/ 60Hz	1	41.028-8,0
	please specify angle when ordering		
10	Axial-Rillenkugellager 3-teilig	1	43.486
12	Innensechskantschraube M 8 x 25	4	40.053
13	Verschlußschraube M 18 x 1,5	1	41.011
14	O-Ring 12 x 2	2	15.005 1
15	Ölschauglas	1	42.018 1
16	Ölverschlußschraube rot	1	43.437
17	Dichtung Öldeckel	1	44.501 1
18	Deckel Ölgehäuse	1	44.501 2
19	Innensechskantschraube M 5 x 12	4	41.019 4

Valve housing K 1120 T - K 1150 T



Valve housing K 1120 - K 1150

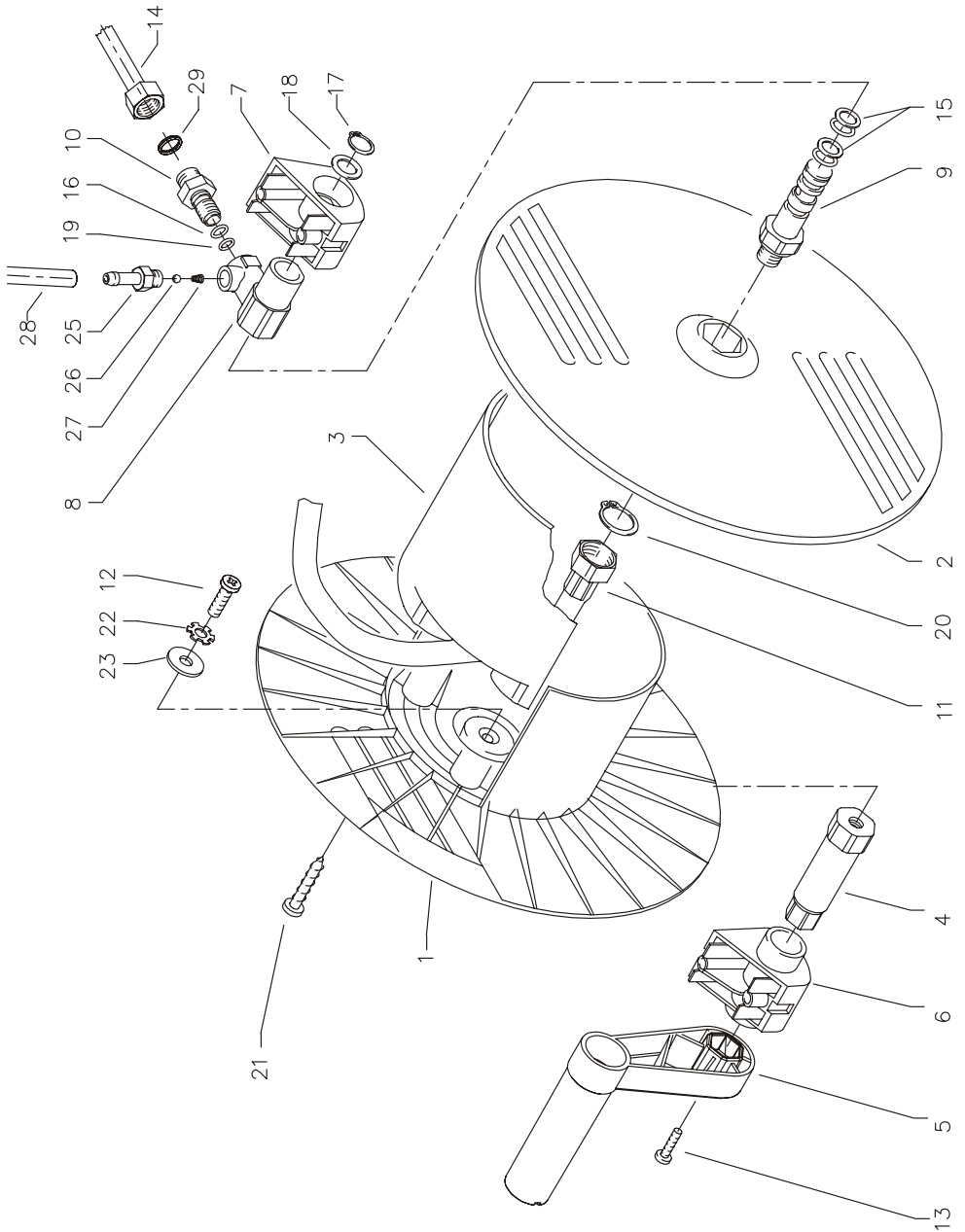


KRÄNZLE 1120 - 1150

Spare parts list KRÄNZLE 1120 - 1150 Valve housing

No	Description	Qty.	Ord.-No	No	Description	Qty.	Ord.-No
1	Ventilgehäuse	1	44.523	31	Leckagering	3	43.053
2	Ventilstopfen	5	41.011	32	Manschette 14 x 20 x 4/2	3	43.054
3	Ventilstopfen mit R1/4" IG	1	41.011 1	33	Zwischenring mit Abstützung	3	43.055
4	Ventile (rot)	6	41.612	34	Rückschlagfeder	1	14.120 1
5	Dichtstopfen M 8 x 1	1	13.158	35	Ausgangsst. Inj. ST30 M22x1,5 incl. 7, 2x37, 2x38, 39, 40, 41	1	44.544
6	Dichtstopfen M 10 x 1	1	43.043	36	Verschlußstopfen 1/4"	1	13.181
7	O-Ring 12 x 2	15	15.005 1	37	Verschlußschraube M10x1	2	13.385
8	O-Ring 11 x 1,5	2	12.256	38	O-Ring 6x1,5	2	13.386
9	Edelstahlsitz	2	14.118	39	Saugzapfen Schlauchanschluss	1	13.236
10	Sicherungsring	2	13.147	40	Edelstahlkugel 5,5 mm	1	13.238
11	Edelstahlkugel 8,5 mm	1	13.148	41	Edelstahlfeder	1	13.239
11.1	Edelstahlkugel 10,0 mm	1	12.122	42	Innensechskantschr. M 8 x 25	2	40.053
12	Edelstahlfeder	1	14.119	43	Innensechskantschr. M 8 x 40	2	43.059
13	Verschlußschraube	1	14.113	44	Dichttring Kupfer	1	14.149
14	Steuerkolben 6 mm für AZ	1	43.044	45	Sauganschluss	1	41.016
15	Parbaks für Kolben 14 mm	1	14.123 1	46	Wasserfilter	1	41.046 1
16	Parbaks für Spindel 6 mm	1	14.123 2	48	Gummi Dichttring	1	41.047 1
17	MS-Scheibe	1	43.045	49	Steckkupplung	1	41.047 2
18	Kolbenführung 6 mm	1	14.130 1	50	O-Ring	1	41.047 3
19	Mutter M 6	2	14.127 1	51	Aluminium-Dichttring	2	13.275
20	Feder schwarz für AZ-Pumpe	1	43.046	52	O-Ring 18 x 2	1	43.446
21	Federdruckscheibe	1	43.047	Rep.-kit valves			41.64
22	Kugellager	1	43.048	6x Pos. 4, 12x Pos. 7			
23	Handrad M 6 für AZ-Pumpe	1	43.049	Rep.-kit sleeves			43.060
24	Mutter M 6 mit SW 8	1	43.010	3x Pos. 28; 3x Pos. 29; 3x Pos. 30, 3x Pos. 32			
25	Kappe für Handrad AZ-Pumpe	1	43.050	Valve housing compl.			44.533
26	Manometer	1	15.039	Pos. 1-25; Pos. 27-43			
27	Stützring	3	43.091	Guide piston with seals			44.532
28	Gewebemanschette 14x24x5	3	41.613 1	Pos. 14; Pos. 15			
29	Backing 14 x 24	3	41.614	Guide piston with handwheel			44.532 1
30	O-Ring 26 x 2	3	43.052	Pos. 7; Pos. 14-25			

Hose drum



KRÄNZLE 1120 T - 1150 T

Spare parts list KRÄNZLE 1120 T - 1150 T Hose drum

No	Description	Qty.	Ord.-No
1	Schale groß	1	40.160
2	Schale klein	1	40.161
3	Knickschutz	1	40.162
4	Antriebswelle	1	44.517
5	Kurbel	1	40.165
6	Lagerklotz links	1	44.515
7	Lagerklotz rechts	1	44.516
8	Drehgelenk	1	40.167
9	Achse mit Wasserführung	1	44.518
10	Eingangsinjektor	1	40.169
11	HD-Schlauch NW 6 15 m	1	40.170
12	Schraube M 6 x 16	1	40.171 1
13	Schraube M 5 x 10	1	43.021
14	Anschlußrohr Ermeto Edelstahl	1	44.520
15	Parbaks 16 mm	2	13.159
16	O-Ring 10 x 2	1	43.068
17	Sicherungsring 16 mm	1	40.182
18	Scheibe MS 16 x 24 x 2	1	40.181
19	O-Ring 6,68 x 1,78	1	40.585
20	Sicherungsring 20 mm	1	40.172
21	Kunststoffschraube 5,0 x 20	4	43.018
22	Zahnscheibe 6,4	1	40.183
23	Scheibe DIN9021 6,4	1	50.174
25	Saugzapfen Schlauchanschluß	1	13.236
26	Edelstahlkugel 5,5 mm	1	13.238
27	Edelstahlfeder	1	13.239
28	Chemikaliensaugschlauch mit Filter	1	15.038
29	O-Ring 6 x 0,8	2	40.177

General rules

Inspections

The machine must be inspected according to the “Guidelines for Liquid Spray Devices” at least once every 12 months by a qualified person, to ensure that continued safe operation is guaranteed. The results of the inspection are to be recorded in writing. This may be done in any form.

Accident prevention

The machine is designed for accidents to be impossible if used correctly. The operator is to be notified of the risk of injury from hot machine parts and the high pressure water jet. The “Guidelines for Liquid Spray Devices” must be complied with. (see page 14 and 15)

Oil change:

Check the oil level at the oil sight glass prior to each use. (Ensure horizontal position!) The oil level should be at the middle of the sight glass. With high atmospheric humidity and temperature fluctuation there may be condensation (oil has a greyish colour); Then the oil must be changed.

First oil change after approx 50 hours of operation. Thereafter, no more oil change is required for the lifetime of the equipment. If it becomes necessary during repairs, or because the oil has a greyish colour to perform an oil change, then the oil sight glass should be opened and the oil emptied into a container. The oil must be caught in a container and disposed of in a responsible, legal manner.

New oil: 0.25 l - Motor oil: W 15/40

Oil leak

In the event of an oil leak contact customer service (dealer) immediately. (damage to environment or transmission)

Warranty

This warranty covers material and/or workmanship related defects only and does not extend to ordinary wear.

Machine must be operated according to enclosed operating instructions which are part of present warranty conditions.

All products sold directly to private customers are warranted for a period of 24 months, whereas the warranty period for industrial purchases is limited to 12 months.

In case of any warranty claims, please have your HP cleaner together with accessories and your purchase document ready and contact your nearest dealer or authorized service point which can also be looked up in the internet at www.kraenzle.com .

Warranty is void in case of attempts to modify any of the safety devices or in the event of exceeding temperature or rpm limits - this also applies to undervoltage, low water and/or polluted water. Gauge, nozzle, valves, sealing gaskets, high pressure hose and spray equipment are considered wear parts and do not fall under this warranty.

Notes

Notes



Order n°: 30 236 1

Reprint only allowed with the authorization of **kränzle**[®]

As date of 08.09.2005