

High Pressure Cleaners



K 145 T

K 175 T

*Operating manual
Read and conform
safety instructions
before use*

Description

Dear customer

We would like to congratulate you on your new high pressure cleaner with integrated undercarriage and integrated hose drum and to thank you for the purchase.

To ease your introduction to the use of the cleaner, we have provided the following pages of explanations, tips and hints, which we ask you to read before using for the first time.

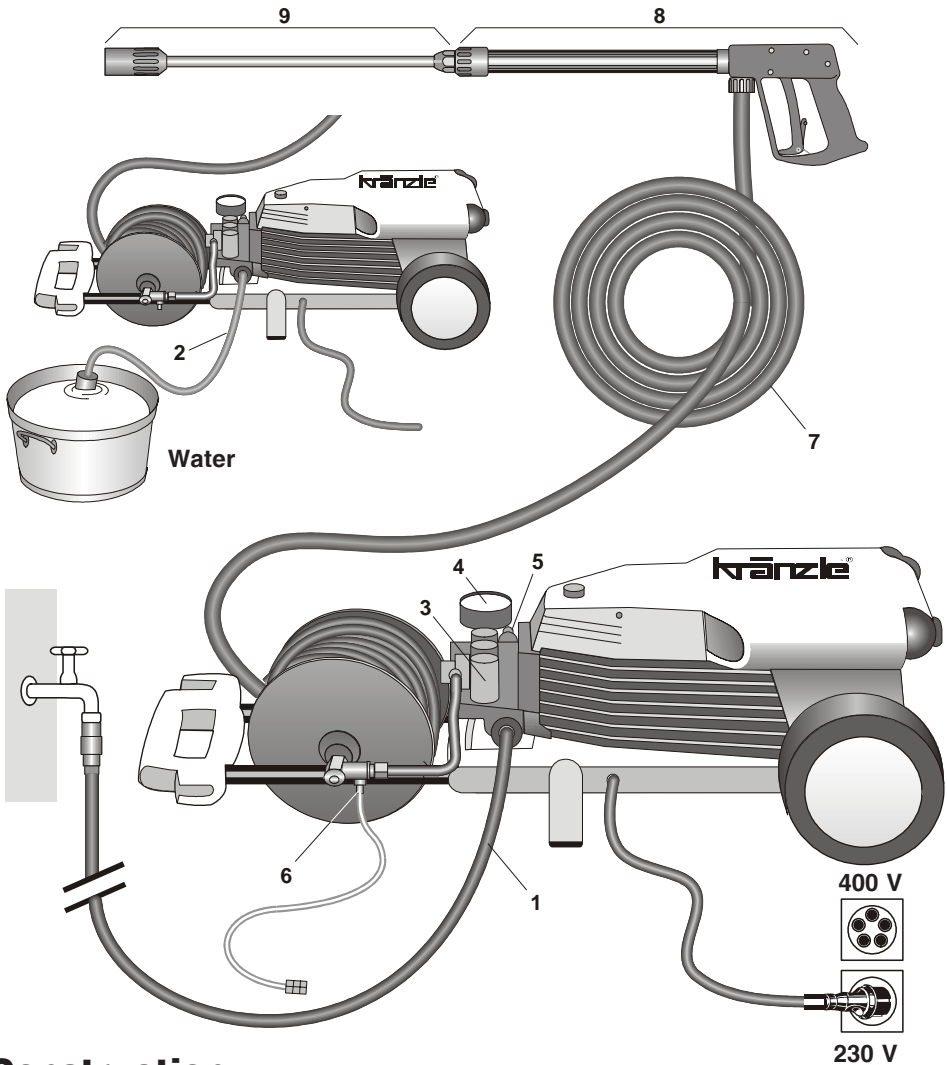
The equipment will assist you professionally in all cleaning tasks, e.g.:

- **facades**
- **flagstones**
- **terraces**
- **vehicles of all types**
- **containers**
- **machines etc.**
- **removing of old paint**

Technical specifications	Kränzle 145 T	Kränzle 175 T
Operating pressure, steplessly adjustable	10 - 130 bar	10 - 160 bar
Perm. overpressure	145 bar	175 bar
Water output	at 1400 U/min 10,5 l/min	at 1400 U/min 12 l/min
Hot water input	max. 60 °C	max. 60 °C
Suction height	2,5 m	2,5 m
High pressure hose	15 m	15 m
Electrical ratings	230 V ; 50 Hz ; 12,5 A	400 V ; 50 Hz ; 6,7 A
Connect. wattage input output	P1: 2,8 kW P2: 2,0 kW	P1: 3,3 kW P2: 2,6 kW
Weight	36 kg	37 kg
Dimension with mounted handle in mm	350 x 330 x 900	350 x 330 x 900
Sound level acc.to 45635 with dirtkiller	78 dB (A) 82 dB (A)	78 dB (A) 82 dB (A)
Guaranteed sound level L_{WA}	89 dB (A)	91 dB (A)
Vibrations at lance	2,0 m/s ²	2,1 m/s ²
Recoil at lance	approx. 22 N	approx. 27 N

Permissible tolerance for figures $\pm 5\%$ in acc. with VDMA uniform sheet 24411

Description



Construction

The KRÄNZLE 145 T + 175 T - high pressure cleaners are mobile machines. The design can be seen from the diagram.

Item

- | | | | |
|---|---|---|--|
| 1 | Water inlet connection with filter | 6 | High pressure injector for cleaning agents |
| 2 | Suction hose with filter (special accessory) Order no. 15.038 3 | 7 | High pressure hose |
| 3 | High pressure pump | 8 | Spray gun |
| 4 | Press. gauge with glycerin filling | 9 | Interch. lance with regulator nozzle |
| 5 | Unloader valve - safety valve | | |

Description

Water and Cleaning System

Water can be connected at mains pressure to the high pressure pump or it can be sucked directly from a storage tank. The water is then forced under pressure by the high pressure pump to the lance. The high pressure jet is formed by the nozzle at the end of the lance.

Cleaning and caring agents can be mixed with the water by a high pressure injector.



Environmental, refuse disposal and water protection regulations must be observed !

Lance with trigger gun

The machine can only be operated when the safety trigger is squeezed.

The machine can only be operated when the safety trigger is squeezed. When the lever is squeezed, the spray gun opens. The liquid is then pumped to the nozzle. The spray pressure increases and quickly reaches the selected operating pressure.

When the trigger is released, the trigger gun closes and any further spraying of liquid from the lance is stopped.

The increase in pressure when the trigger gun is closed causes the unloader valve-safety valve to open. The pump remains switched on and continues to pump liquid through the pump at reduced pressure. When the trigger gun is opened, the unloader valve - safety valve closes and the pump resumes pressure spraying from the lance

The trigger gun is a safety device. Repairs should only be performed by qualified persons. Should replacement parts be required, use only components authorized by the manufacturer.



Unloader valve - safety valve

The unloader valve - safety valve protects the machine from a build up of excess pressure, and is designed not to permit an excess pressure to be selected for operation. The limit nut on the handle is sealed with a spray coating

The operating pressure and spray rate can be steplessly adjusted by turning the handle.



Replacements, repairs, new adjustments and sealing should only be performed by qualified persons.



Motor protection switch

The motor is protected from overload by a motor protection switch, which automatically cuts out the motor in the event of overload. However should the switch trip frequently, the cause of the malfunction should be located and rectified (see page 6).



Replacements and inspection work should only be performed by qualified persons **when the machine is disconnected from the power supply, i.e. pull out the plug from the electrical socket.**

Setting up



Location

Neither set up and operate the machine in rooms where there is a risk of fire or explosion nor put it into puddles. Do not use the machine under water.

CAUTION !



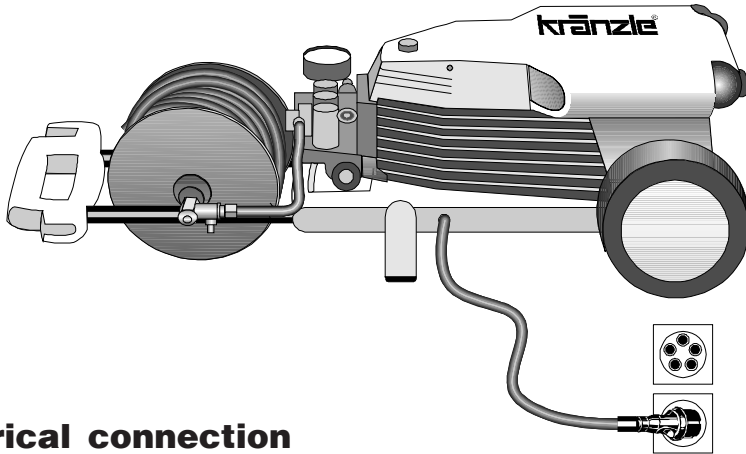
Never use liquid containing solvents such as paint thinners, petrol, oil or similar liquid matter. **Pay attention to the instructions of the manufacturers of the cleaning agents.** The seals in the machine are not resistant to solvents. The spray of solvents is inflammable, explosive and poisonous.

CAUTION !



When running your high pressure cleaner with hot water of 60 °C raised temperatures occur. **Do not touch the machine without safety gloves!**

Description



Electrical connection

The machine is supplied with an electrical power cord with plug.

The mains plug must be fitted to a standard grounded socket with a **30mA** residual current operated device. The socket must be protected with a **16A** delay action fuse on the mains side.



KRÄNZLE 145 T - 230 Volt 50 Hz

KRÄNZLE 175 T - 400 Volt 50 Hz

When using an extension cable, this must have an earthed lead which is properly connected to the socket. The conductors in the extension cable must have a minimum cross section of 1.5 mm². Plug connections must be of a spray-proof design, and may not be located on a wet floor. (with extension cables of more than 10 m - 2.5 mm²)

CAUTION !

The use of extension cables which are too long may lead to malfunctions and start up difficulty.

When using a cable drum, always keep the cable wound as far as possible.

Description



Brief operating instructions

are fitted to the machine. Numbers 1-6.

When operating your high pressure cleaner pay attention that it is in a horizontal position.

1. Connect the high pressure hose with spray gun and machine.
2. Connect to suitable water supply.
3. Flush the air from the pump (open and close the spray gun several times)
4. Make the electrical connection - (KRÄNZLE 145 T 230 Volt A.C., KRÄNZLE 175 T 400 Volt three-phase current).
5. Switch on the machine with opened spray gun and commence cleaning.
6. After completing the work, completely empty the pump (switch the motor on for approximately 20 seconds without the suction and pressure hoses).
Only use clean water ! Protect from frost !

CAUTION !

Please pay attention to the regulations of your waterworks company. In accordance with EN 61 770, the machine may not be directly connected to the public drinking water supply lines.

A brief connection however is permissible according to DVGW (German Association for Gas and Water Affairs) if a tube ventilator with check valve (Kränzle Order-No. 41.016 4) is built into the water supply.

Also indirect connection to the public drinking water supply lines is permissible by way of free emission in accordance with EN 61 770; e.g. by using a reservoir with a float valve.

Direct connection to a non-drinking water supply line is permissible.

High pressure hose and spray device

The high pressure hose and spraying device supplied with the machine are made of high grade material, they are also optimized for the machine and marked as required by the appropriate regulations.



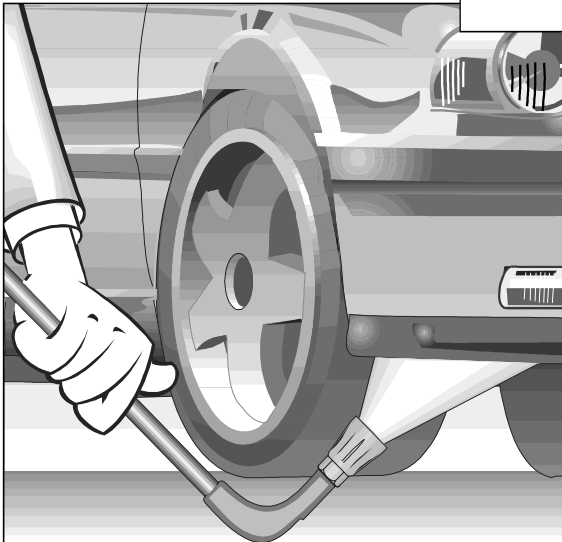
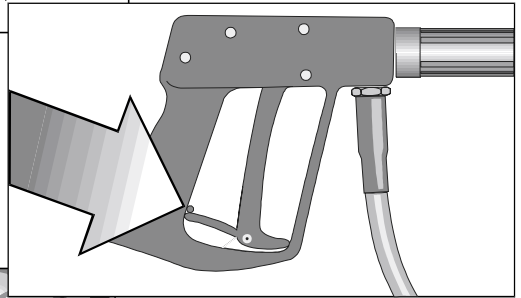
If replacement parts are required, only such parts that are authorized by the manufacturer and which bear the markings required by the appropriate regulations may be used. The high pressure hose and spray device must be connected in a pressure-tight manner. The high pressure hose may not be driven over, pulled excessively, or twisted. The hose may under no circumstances be pulled over sharp edges, since otherwise the guarantee is automatically void.

Safety notes



As to the recoil -
see notice on page 2!

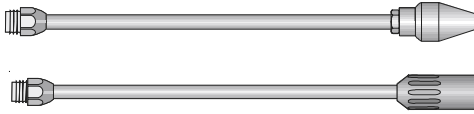
Apply the safety catch on the
spray gun after each use, in
order to prevent unintentional
spraying!



Always aim the
underbody lance. Note
when using an angled
underbody lance, like
for example lance No.
41.075, that there is a
certain amount of
torque in the recoil.
(K145 T: 22 Nm
K175 T: 24 Nm)

This is what you've purchased:

1. Dirtkiller with nozzle 045

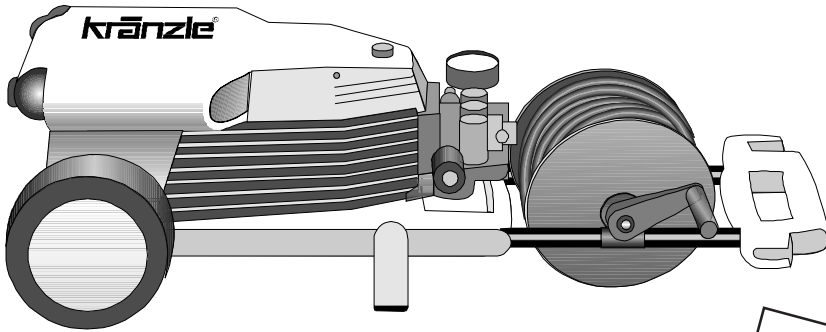


Spray lance with regulator and high pressure nozzle, flat spray 25045



2. Spray gun with insulated pistol grip and screw connection

3. KRÄNZLE - High pressure cleaners 145 T, 175 T, 205 T with hose drum and 15 m high pressure hose with steel reinforcement NW 6.



5. Operating instructions

**4. Crosstip screwdriver
Fixing screw for crank**



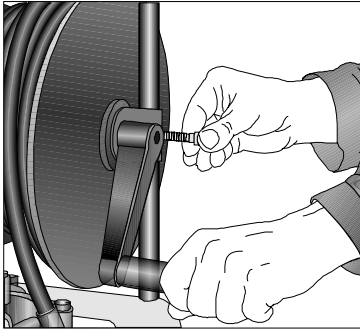
6. Crank for hose drum



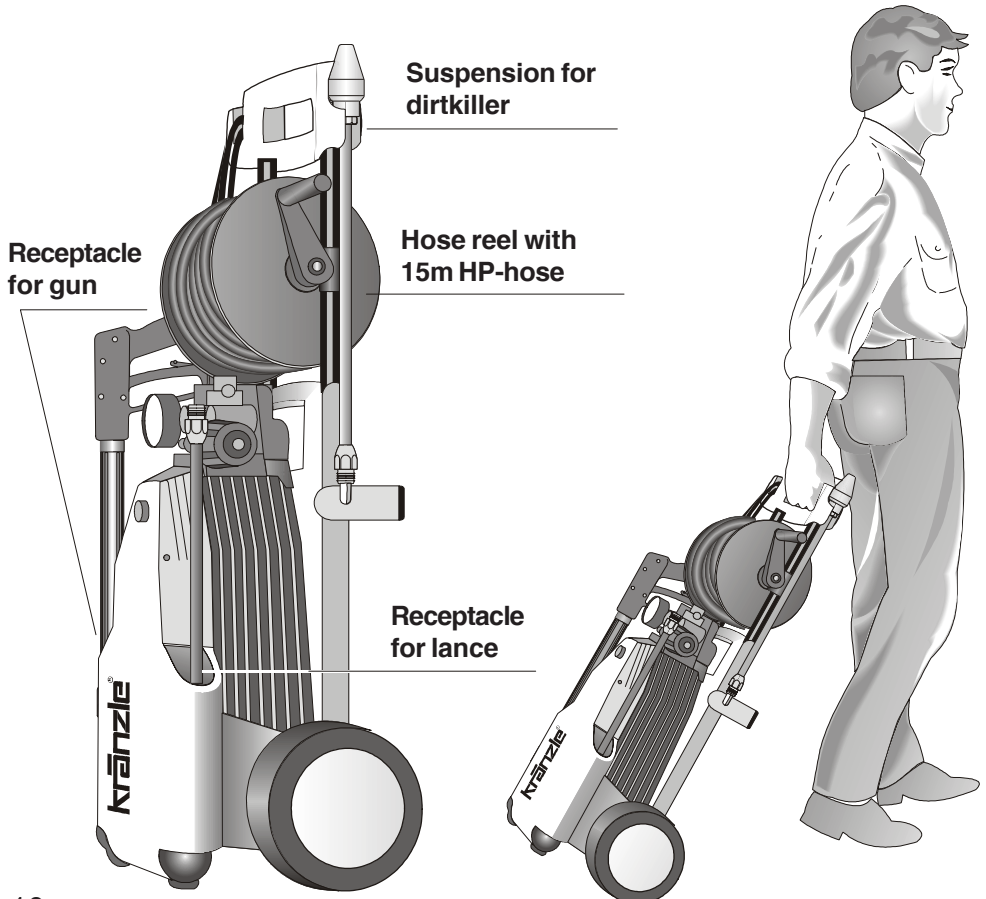
7. Water inlet components



Assemble and furnish your high pressure cleaner



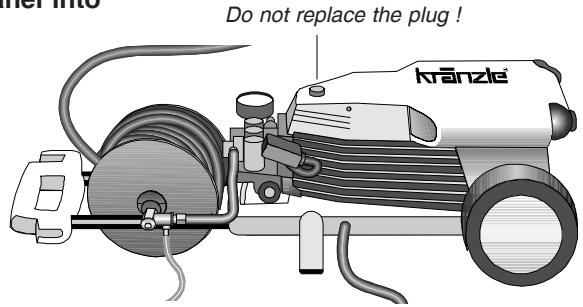
Put high pressure cleaner into upright position. **Now pull the cable holder from the hexagon on the cable drum.** Remove the screw from the brass element. Put the crank on the hexagon and fasten with the screw.



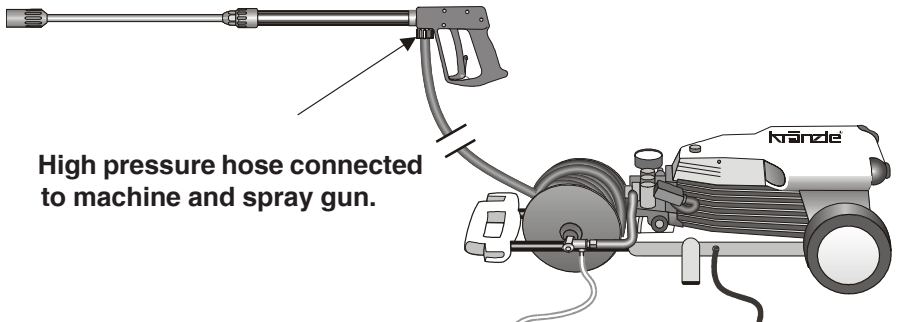
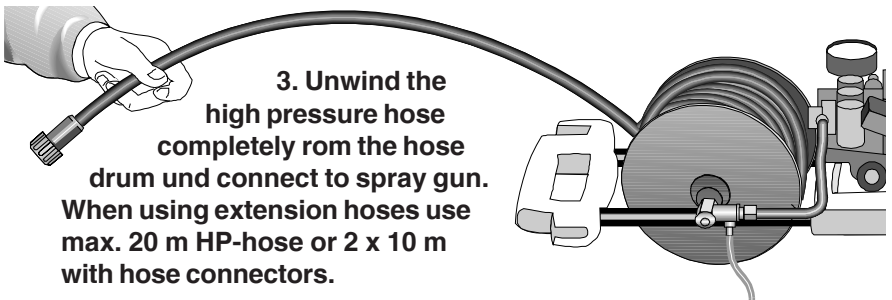
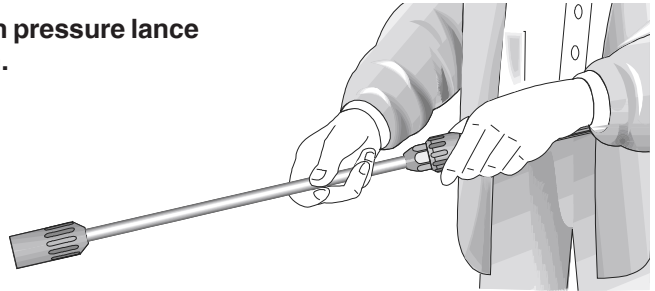
Preparation for use

1. Put high pressure cleaner into horizontal position!

THE HIGH PRESSURE CLEANER IS ONLY TO BE OPERATED IN HORIZONTAL POSITION !

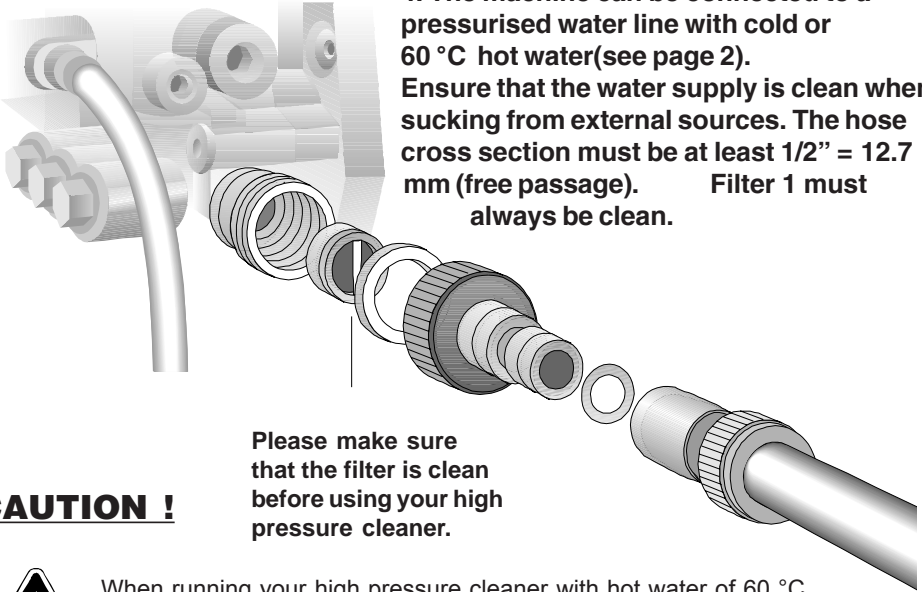


2. Connect the high pressure lance to the spray gun.



Preparation for use

4. The machine can be connected to a pressurised water line with cold or 60 °C hot water(see page 2). Ensure that the water supply is clean when sucking from external sources. The hose cross section must be at least 1/2" = 12.7 mm (free passage). Filter 1 must always be clean.



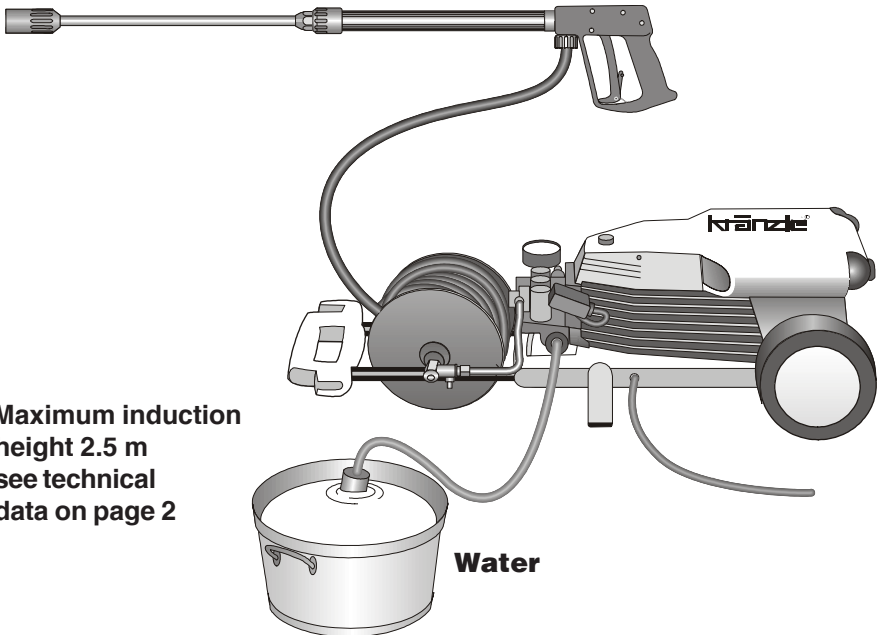
Please make sure that the filter is clean before using your high pressure cleaner.

CAUTION !



When running your high pressure cleaner with hot water of 60 °C raised temperatures occur.

Do not touch the pump without safety gloves!



5. Maximum induction height 2.5 m see technical data on page 2

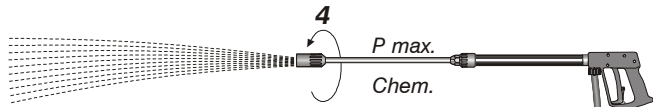
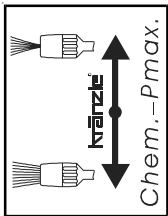
Preparation for use

Adjusting the pressure

This is accomplished by turning the handwheel. The default setting is maximum pressure.

When using cleansing agents:

Unwind HP-hose completely. Place chemical filter no. 5 in the reservoir with the cleansing agent. Turn on Vario-Jet No.4 to enable the injector to induct the cleansing agent. By turning back the Vario-Jet nozzle, the supply of chemical is automatically cut off. Allow the cleansing agent to take effect and then remove with high pressure spray.

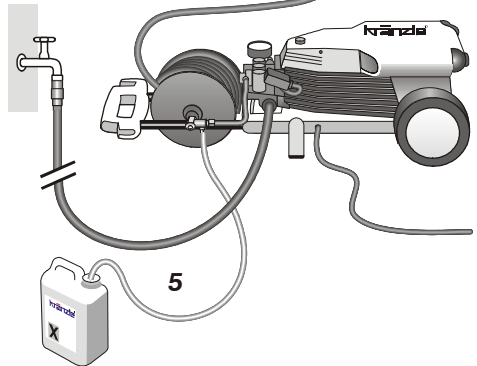


Turn on Vario-Jet to reach low pressure !

A mixing ratio of 3-5% is achieved when the Vario-Jet is fully turned on. pH value neutral 7-9.



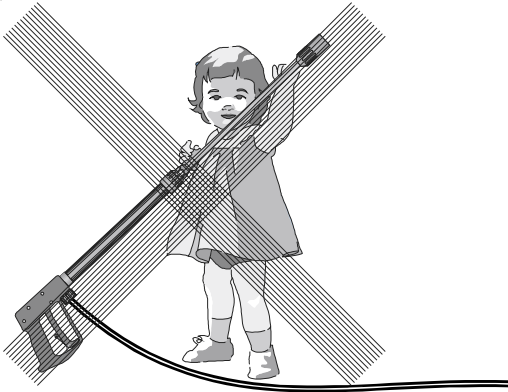
Note that you must always comply with the instructions provided by the manufacturer of the cleansing agent (e.g. instructions concerning safety clothing) and the water protection regulations!



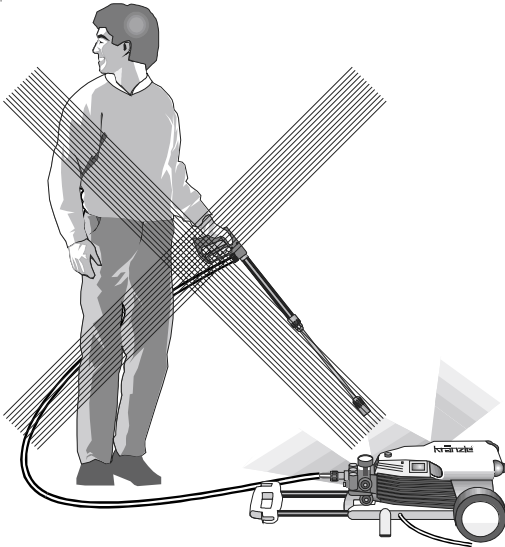
To shut down the pump:

1. Switch off the machine.
2. Cut off the water supply.
3. Open the spray gun briefly until the pressure is released.
4. Apply the safety catch on the spray gun.
5. Remove the water hose and spray gun.
6. Drain the pump: switch on the motor for approx. 20 seconds.
7. Pull the plug from the socket.
8. Winter: store the pump in rooms above 0°C.
9. Clean the water filter.

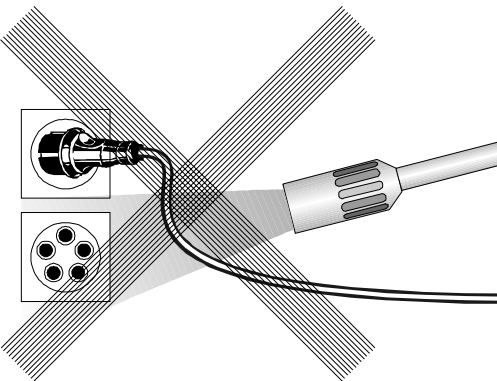
This is prohibited !



Never allow children to use the high pressure cleaner !



Never direct the water jet at the machine itself !

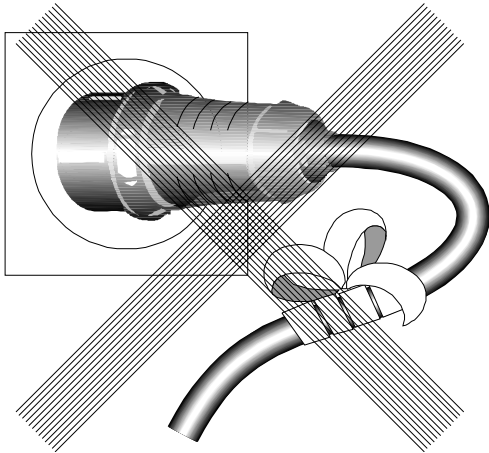


Never direct the water jet at a power socket !

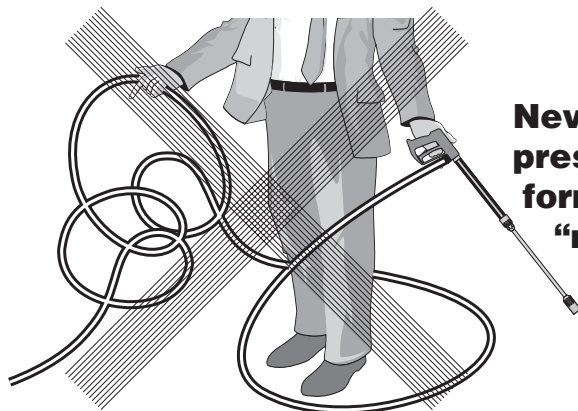
This is prohibited !



Never direct the water jet at people or animals !



Do not damage the power cord or repair it incorrectly !



Never pull the high pressure hose if it has formed kinks or "nooses"!

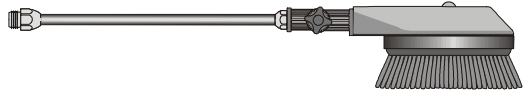
Never pull the hose over sharp edges !

Additional KRÄNZLE-accessories for



Rotary scrubbing brush

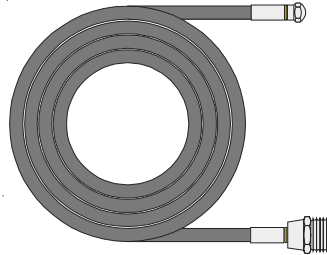
Order No. 41.050 1



Drain and pipe cleaning hose

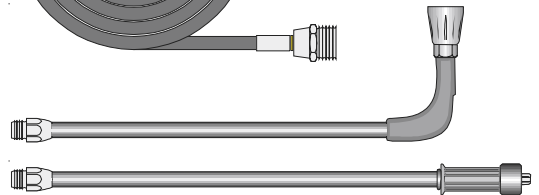
10 m - Order No. 41.058 1

15 m - Order No. 41.058



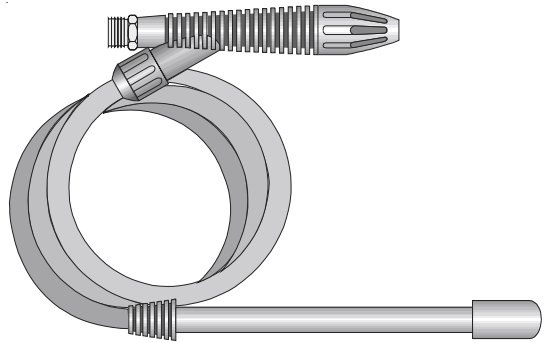
Underbody lance, new

Order No. 41.075 1



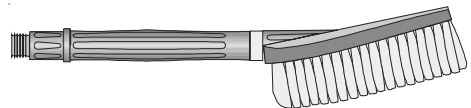
Sandblaster

Order No. 41.068 1



Flat brush

Order No. 41.073



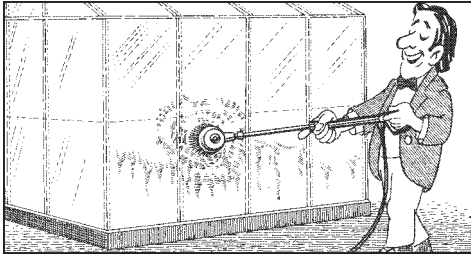
Dirtkiller

Order No. 41.072 5

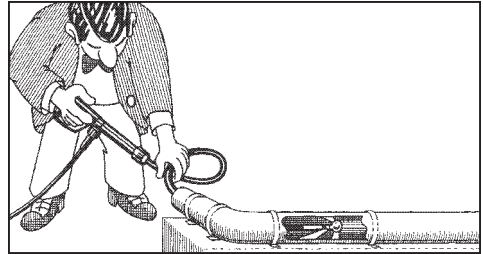


Environmental, refuse disposal and water protection regulations must be observed when using the accessories!

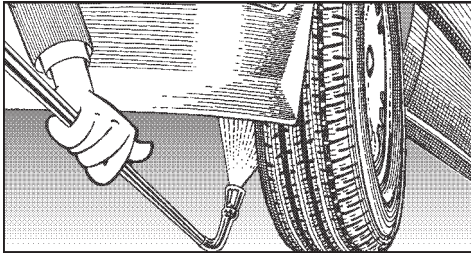
... for further combination possibilities



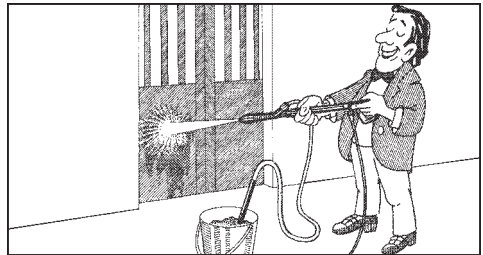
Car cleaning, glass, caravan, boat etc.
rotary washing brush with 40 cm extension
and ST 30 nipple M 22 x 1,5



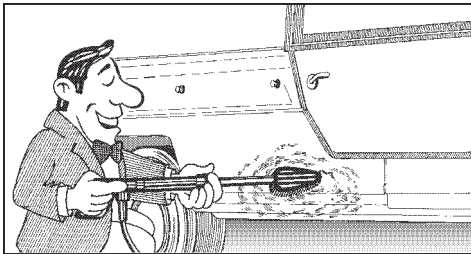
Cleaning pipes, channels and drains:
pipe cleaning hose with KN nozzle
and ST 30 nipple M 22 x 1,5



Underbody cleaning of cars, trailers and
equipment: lance 90 cm with high pressure
nozzle and ST 30 nipple M 22 x 1,5.
The lance must be aimed when spraying.



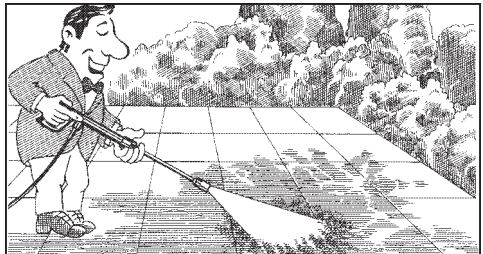
Blasting old paint, rust and facades: sand-
blasting injector with suction lance, 3 m
PVC hose and ST 30 nipple.



Cleaning cars and all smooth surfaces :
brush with ST 30 nipple.



**When sandblasting you must
wear protection clothes! Pay
attention to the instructions
of the manufacturer of the
abrasive!**

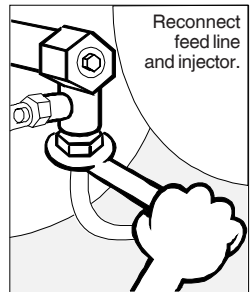
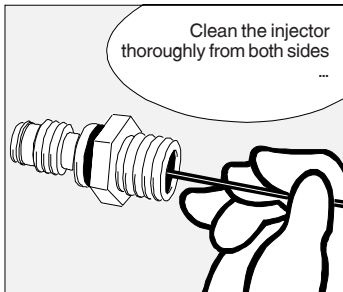
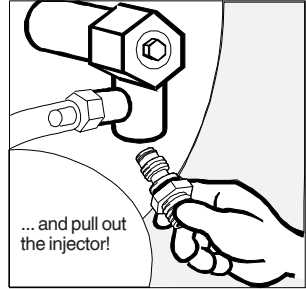
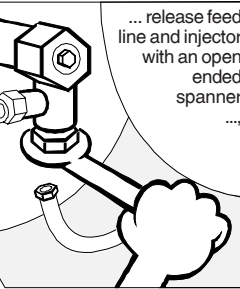
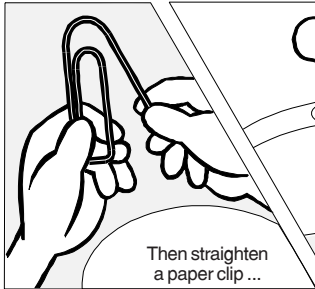
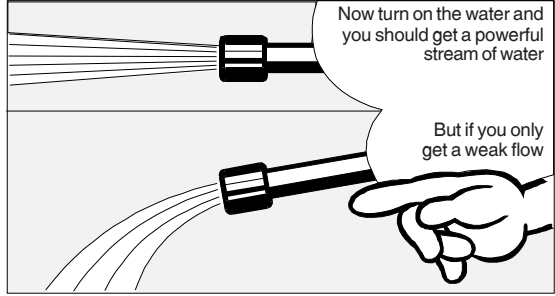


Rotary point sprayer for extreme soiling.
Dirtkiller with 40 cm extension and ST 30
nipple.

Small repairs -

You only get a weak flow of water or no water at all!

- The pressure gauge shows a 10% higher pressure than the working pressure.

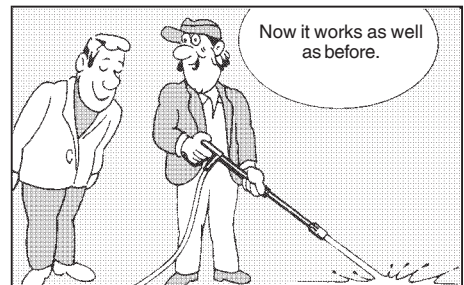
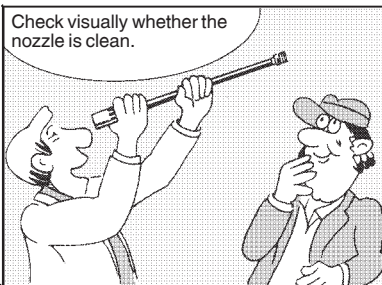
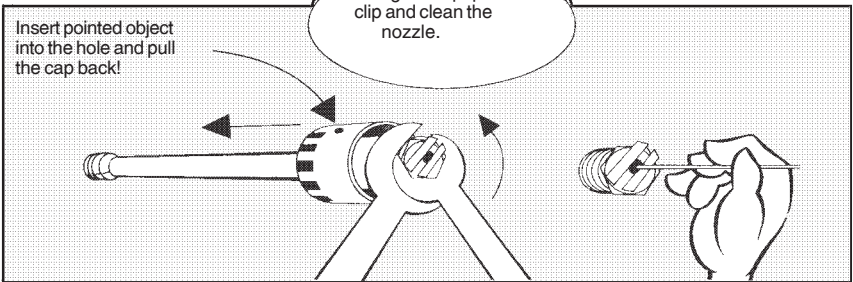
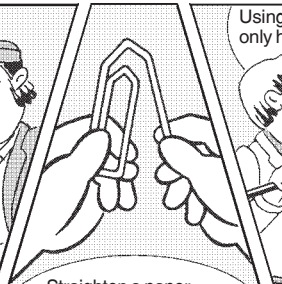
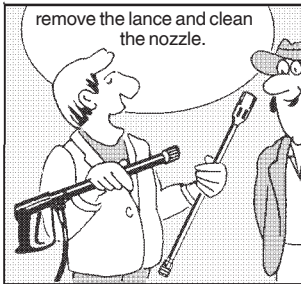
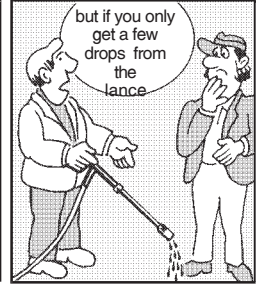
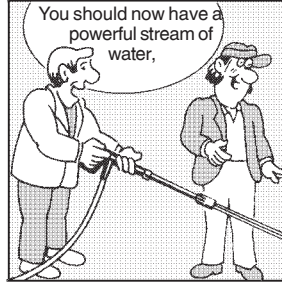
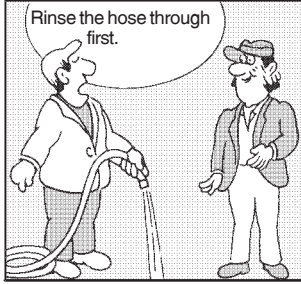


Do it yourself!



The nozzle is blocked!

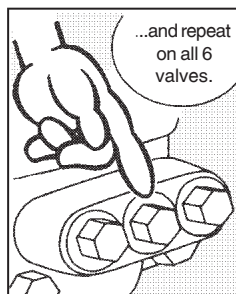
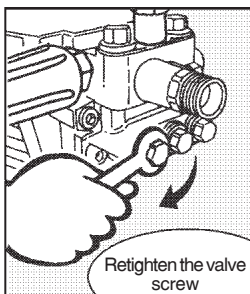
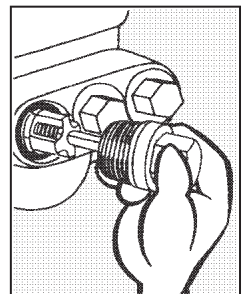
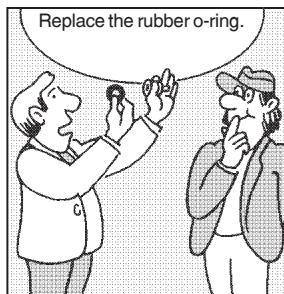
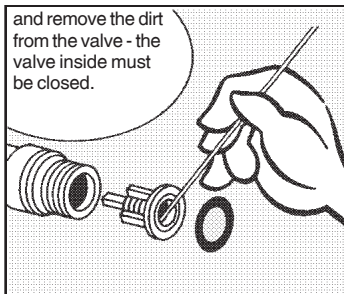
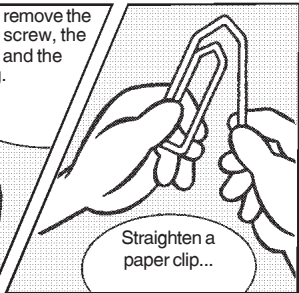
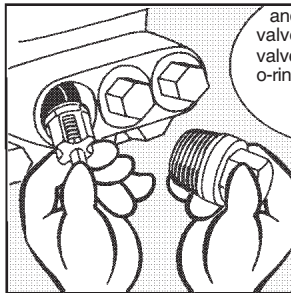
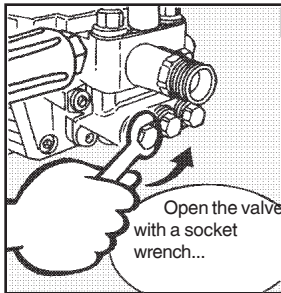
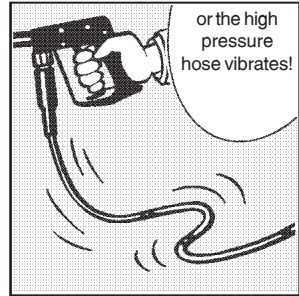
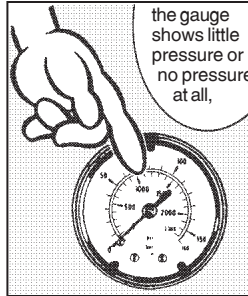
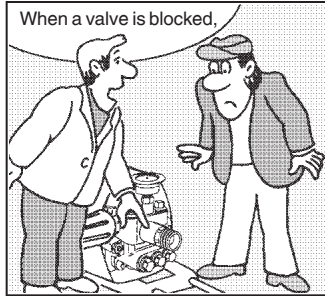
- No water but the gauge shows full pressure !



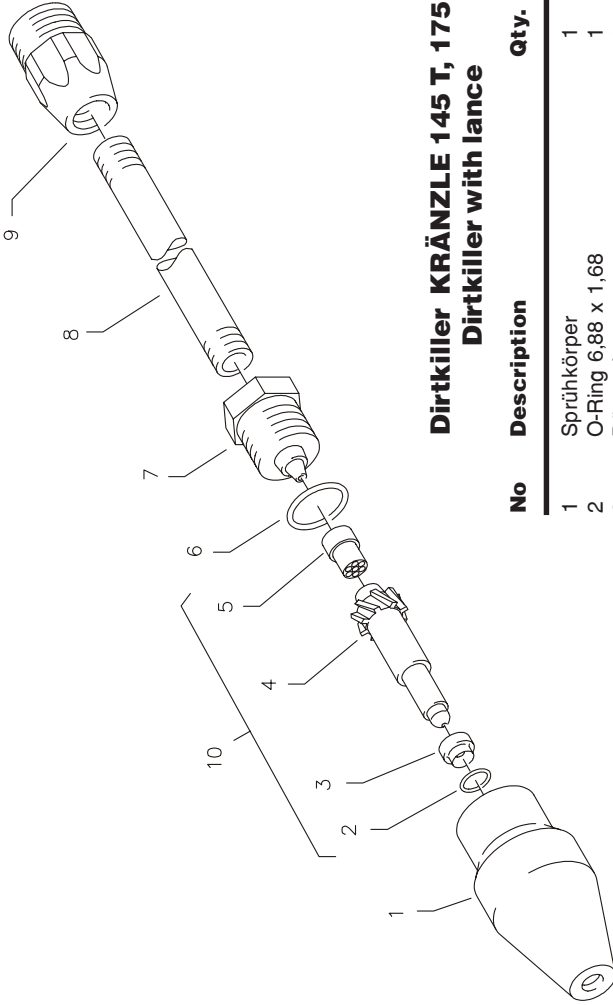
Small repairs - Do it yourself!

Nozzle dirty or sticky!

- Pressure gauge does not show full pressure.
- The high-pressure hose vibrates.
- Water comes out in spurts.
- If you do not use the high-pressure cleaner for some time the valves can stick



Dirtkiller



Dirtkiller KRÄNZLE 145 T, 175 T Dirtkiller with lance

No	Description	Qty.	Ord.-No
1	Sprühkörper	1	41.520
2	O-Ring 6,88 x 1,68	1	41.521
3	Düsenstz	1	41.522
4	Düse 045	1	41.523
5	Stabilisator	1	41.524
6	O-Ring	1	40.016 1
7	Sprühstutzen	1	41.526
8	Rohr 400 mm 2x M 12 x 1	1	41.527
9	ST 30-Nippel M 22 x 1,5 / M 12 x 1 ISK	1	13.363

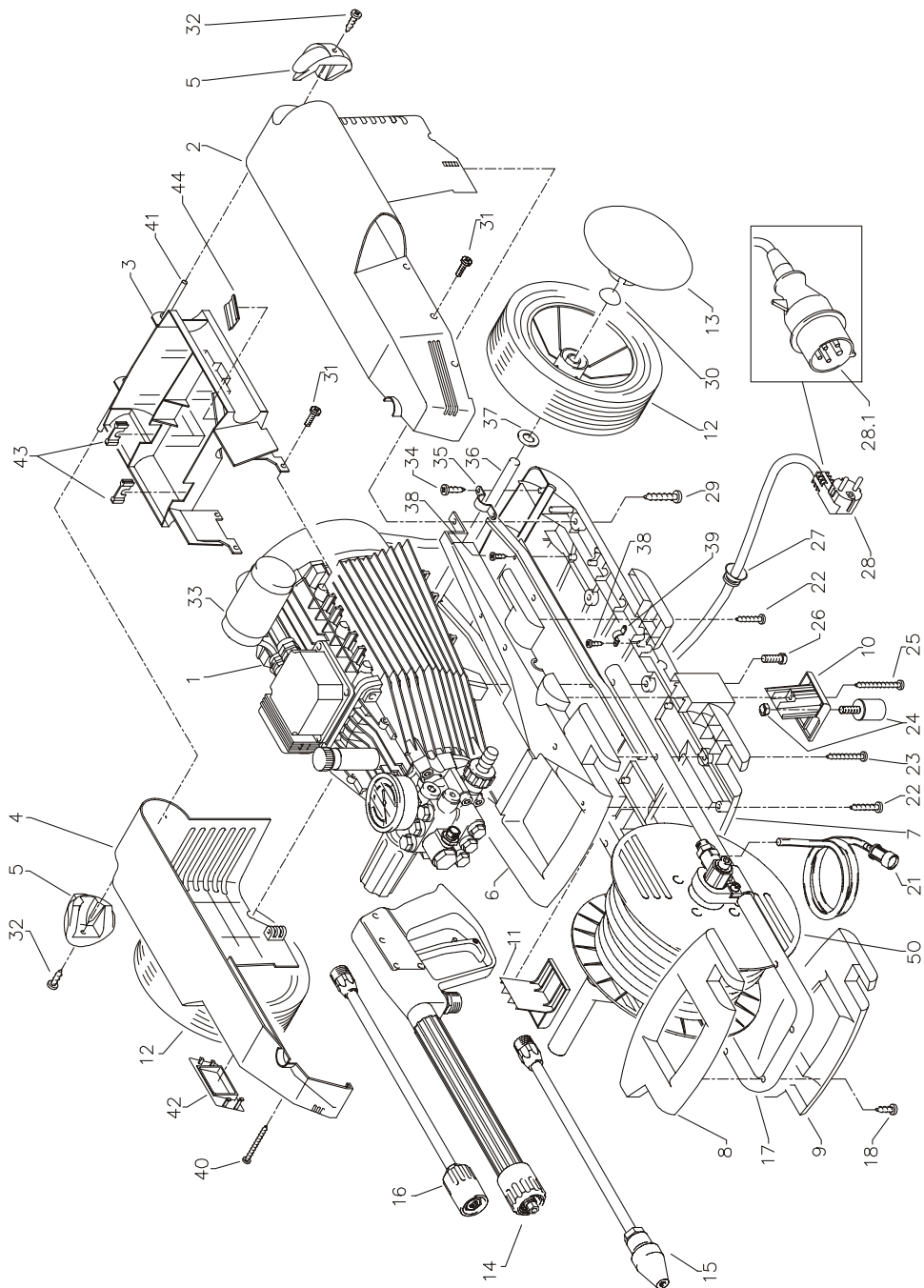
Rep.-kit Dirtkiller 045
consisting of: 1x 2; 3; 4; 5

41.097

Dirtkiller 045 compl. with lance

41.072 5

Complete assembly

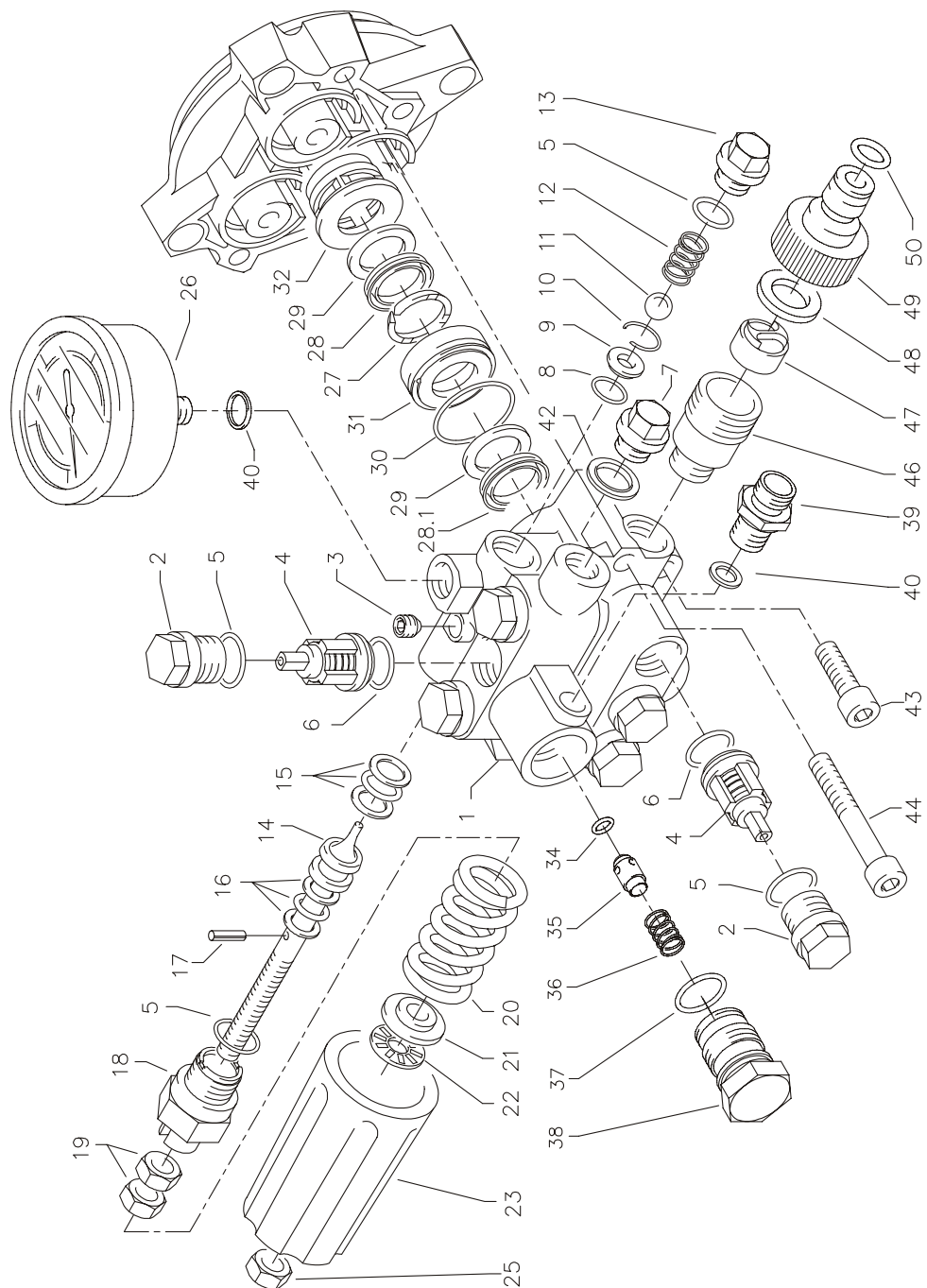


KRÄNZLE 145 T / 175 T / 205 T

Spare parts list KRÄNZLE 145 T, 175 T Complete assembly

No	Description	Qty.	Ord.-No	No	Description	Qty.	Ord.-No
1	Motor WECHSELSTROM für K 145 T komplett mit Ölgehäuse und Lüfterrad ohne Schalter	1	43.400	22	Kunststoffschraube 4,0 x 16	5	43.417
1	Motor DREHSTROM für K 175 T komplett mit Ölgehäuse und Lüfterrad ohne Schalter	1	43.327	23	Kunststoffschraube 5,0 x 30	2	43.418
2	Gehäusehälfte rechts	1	43.402	24	Gummidämpfer	4	43.419
3	Halterung Kondensator	1	43.403	25	Kunststoffschraube 4,0 x 60	2	43.420
4	Gehäusehälfte links K 145 T	1	43.462 1	26	Schraube M 6 x 12	4	43.421
4.1	Gehäusehälfte links K 175 T	1	43.462 2	27	Knickschutzfülle	1	43.422
5	Gummidämpfer	2	43.405	28	Kabel mit Stecker (Wechselstrom)	1	41.092
6	Unterschale 1	1	43.406	28.1	Kabel mit Stecker (Drehstrom)	1	41.092 1
7	Unterschale 2 K 145 T	1	43.463 1	29	Kunststoffschraube 6,0 x 30	2	43.423
7.1	Unterschale 2 K 175 T	1	43.463 2	30	Starlock-Kappe Durchmesser 12	2	43.424
8	Handgriff Schale 1	1	43.408	31	Schraube M 5 x 10	8	43.021
9	Handgriff Schale 2	1	43.409	32	Kunststoffschraube	2	43.425
10	Schlauchhalter R (rechts)	1	43.410	33	Schaumstoffrohr für Kondensator	1	41.418
11	Schlauchhalter L (links)	1	43.411	34	Kunststoffschraube 5,0 x 14	4	43.426
12	Rad	2	43.412	35	Haltebügel	2	43.427
13	Radkappe	2	43.413	36	Bodenblech mit Motorachse	1	43.428
14	MIDI-Pistole mit Verlängerung	1	12.160	37	Kunststoffscheibe 12,5 mm	2	43.429
15	Schmutzkiller 045 mit Lanze	1	41.072 5	38	Kunststoffschraube 3,5 x 8	8	43.430
16	Regeldüse mit HD-Düse 25045 und Lanze	1	43.440	39	Kabelklemme	2	43.431
17	Rohr für Handgriff	1	43.414	40	Kunststoffschraube 5,0 x 80	2	43.432
18	Kunststoffschraube 3,5 x 20	5	43.415	41	Kunststoffschraube 5,0 x 120	1	43.309
21	Chemikaliensaugschlauch mit Filter	1	15.038	42	Schalterblende	1	43.433
				43	Kabelführung	2	43.061
				44	Kabelauflage	1	43.062
				50	Schlauchtrommel ohne Griff und ohne Anschlußrohr		40.173

Valve housing 18 mm

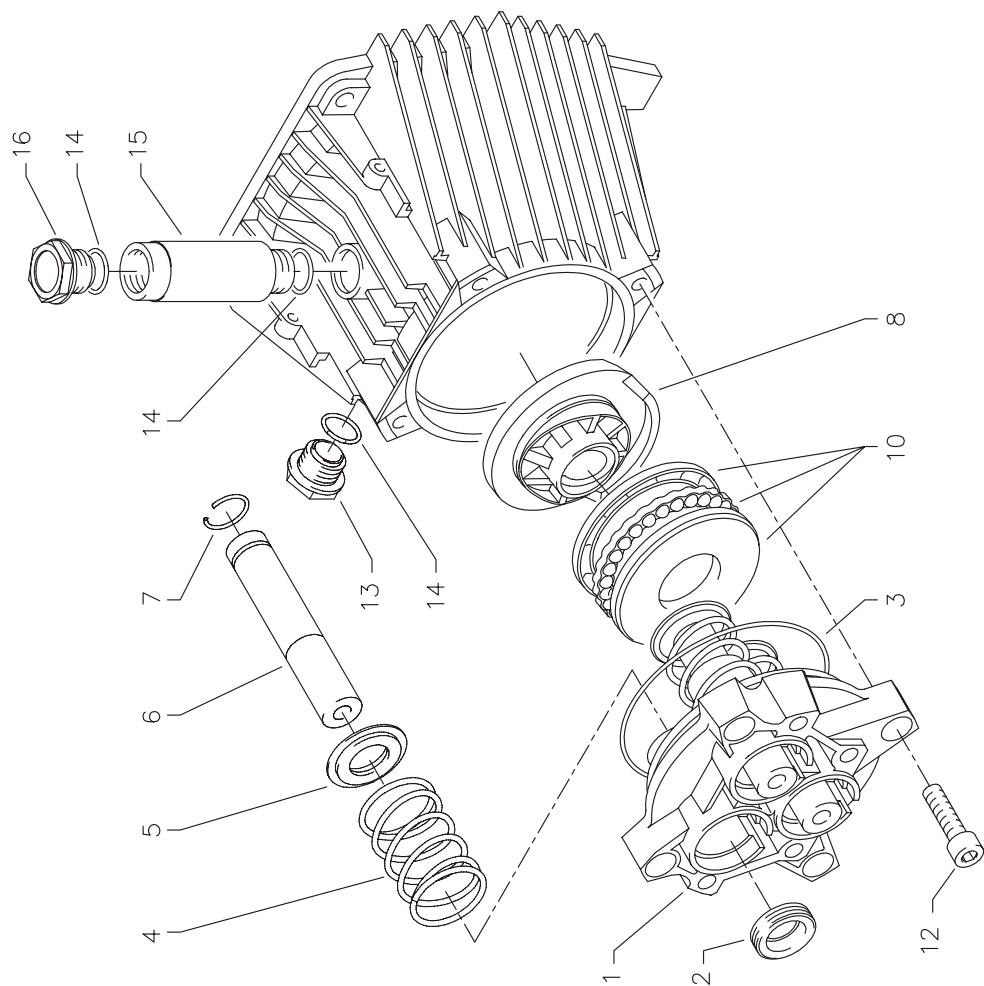


KRÄNZLE 145 T / 175 T

Spare parts list KRÄNZLE 145 T, 175 T Valve housing APG for plunger diameter 18 mm

No	Description	Qty.	Ord.-No	No	Description	Qty.	Ord.-No
1	Ventilgehäuse	1	43.464	32	Zwischenring 18 mm	3	41.015 2
2	Ventilstopfen	6	41.714	34	O-Ring 8 x 2	1	43.070
3	Dichtstopfen M 10 x 1	1	43.043	35	Rückschlagkörper	1	14.122
4	Ventile (grün) für APG-Pumpe	6	41.715 1	36	Rückschlagfeder	1	14.120
5	O-Ring 16 x 2	8	13.150	37	O-Ring 18 x 2	1	43.446
6	O-Ring 15 x 2	6	41.716	38	Ausgangsteil	1	42.166
7	Dichtstopfen R1/4" mit Bund	1	42.103	39	Verschraubung Ermeto R1/4" x 8	1	41.042
8	O-Ring 11 x 1,44	1	12.256	40	Aluminium - Dichtring	4	13.275
9	Edelstahlsitz	1	14.118	42	Kupferring	1	42.104
10	Sicherungsring	1	13.147	43	Innensechskantschraube M 8 x 30	2	41.036 1
11	Edelstahlkugel 8,5 mm	1	13.148	44	Innensechskantschraube M 8 x 55	2	41.017 1
12	Edelstahlfeder	1	14.119	46	Sauganschluß	1	41.016
13	Verschlußschraube	1	14.113	47	Wasserfilter	1	41.046 1
14	Steuerkolben	1	14.134	48	Gummi Dichtring	1	41.047 1
15	Parbaks 16 mm	1	13.159	49	Steckkupplung	1	41.047 2
16	Parbaks 8 mm	1	14.123	50	O-Ring	1	41.047 3
17	Spannstift	1	14.148				
18	Kolbenführung spezial	1	42.105				
19	Mutter M 8 x 1	2	14.144				
20	Ventilfeder schwarz	1	14.125				
21	Federdruckscheibe	1	14.126				
22	Nadellager	1	14.146				
23	Handrad	1	14.147				
25	Elastic-Stop-Mutter	1	14.152				
26	Manometer 0-250 bar	1	15.039				
27	Druckring	3	41.018				
28	Manschette 18 x 26 x 4/2	3	41.013				
28.1	Gewebemanschette 18 x 26 x 4/2	3	41.013 1				
29	Backing 18 x 26	6	41.014				
30	O-Ring 28,3 x 1,78	3	40.026				
31	Leckagering 18 mm	3	41.066				
<p>Rep-kit valves for APG-pump 41.748 1 consisting of: 6x No. 4; 6x No. 5; 6x No. 6</p> <p>Rep-kit sleeves 18 mm 41.049 2 consisting of: 3x No. 27; 3x No. 28; 3x No. 28.1; 6x No. 29; 6x No. 30</p> <p>Valve housing compl. 43.465 with integr. ULH and pressure switch</p> <p>Guide piston compl. with handwheel 43.444</p>							

Transmission unit 18 mm

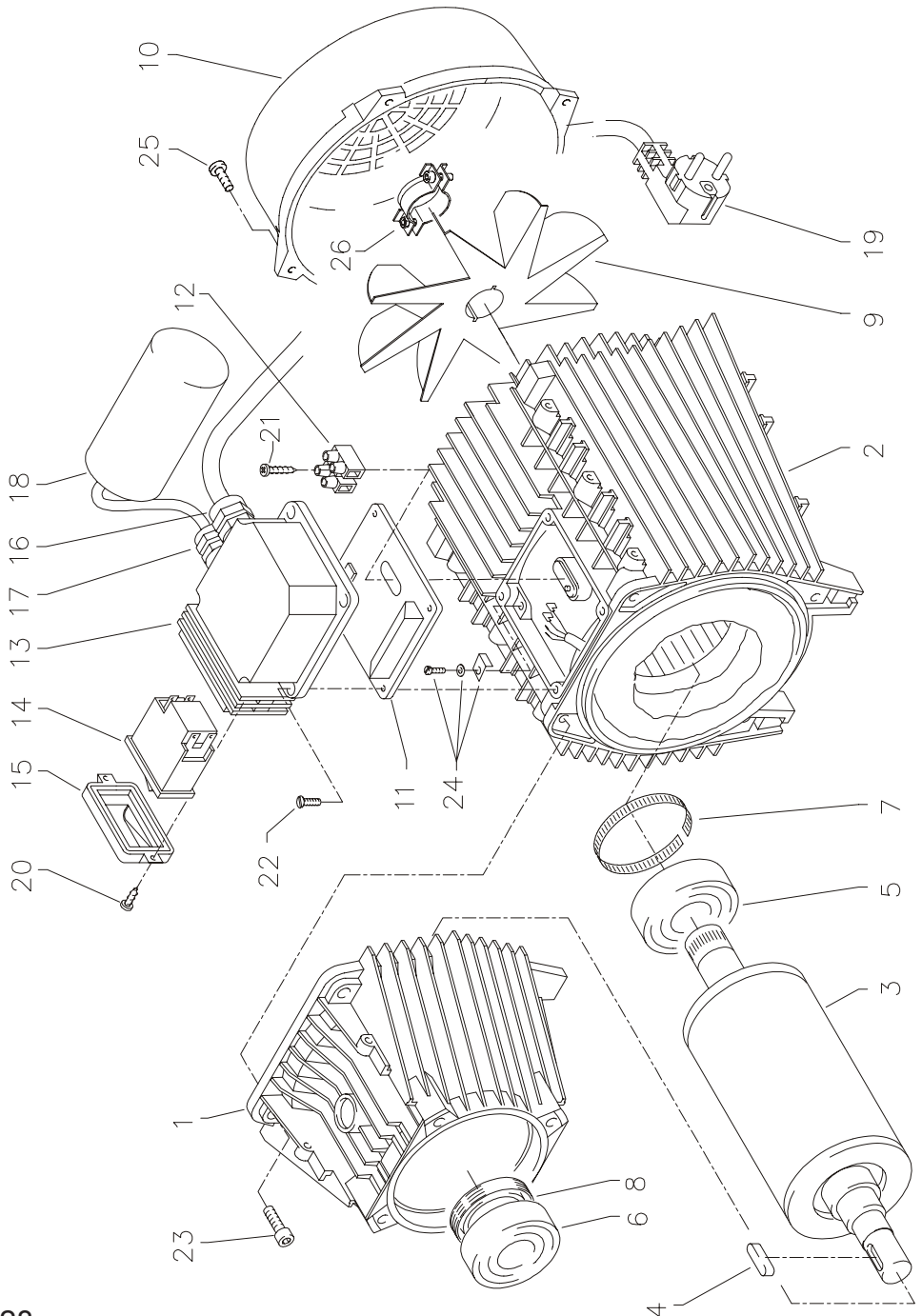


KRÄNZLE 145 T / 175 T

Spare parts list for KRÄNZLE 145 T , 175 T Transmission unit for plunger diameter 18 mm

No	Description	Qty.	Ord.-No
1	Gehäuseplatte für 18 mm Plunger	1	41.020 2
2	Öldichtung 18 x 28 x 7	3	41.031
3	O-Ring Viton 88 x 2	1	41.021 1
4	Plungerfeder	3	41.033
5	Federdruckscheibe 18 mm	3	41.034
6	Plunger 18 mm	3	41.032 1
7	Sprengring 18 mm	3	41.035
8	Taumscheibe 11,5° bei Kränzle 145 T Wechselstrom	1	41.028-11,5
8	Taumscheibe 13,0° bei Kränzle 175 T Drehstrom	1	41.028-13,0
	bitte Taumelwinkel mit angeben		
10	Axial-Rillenkugellager 3-teilig	1	43.486
12	Innensechskantschraube M 8 x 30	4	41.036 1
13	Ölschauglas	1	42.018 1
14	O-Ring 14 x 2	3	43.445
15	Öleinfüll-Stutzen	1	43.438
16	Öl-Verschlußschraube Messing	1	43.437 1

A.C. motor

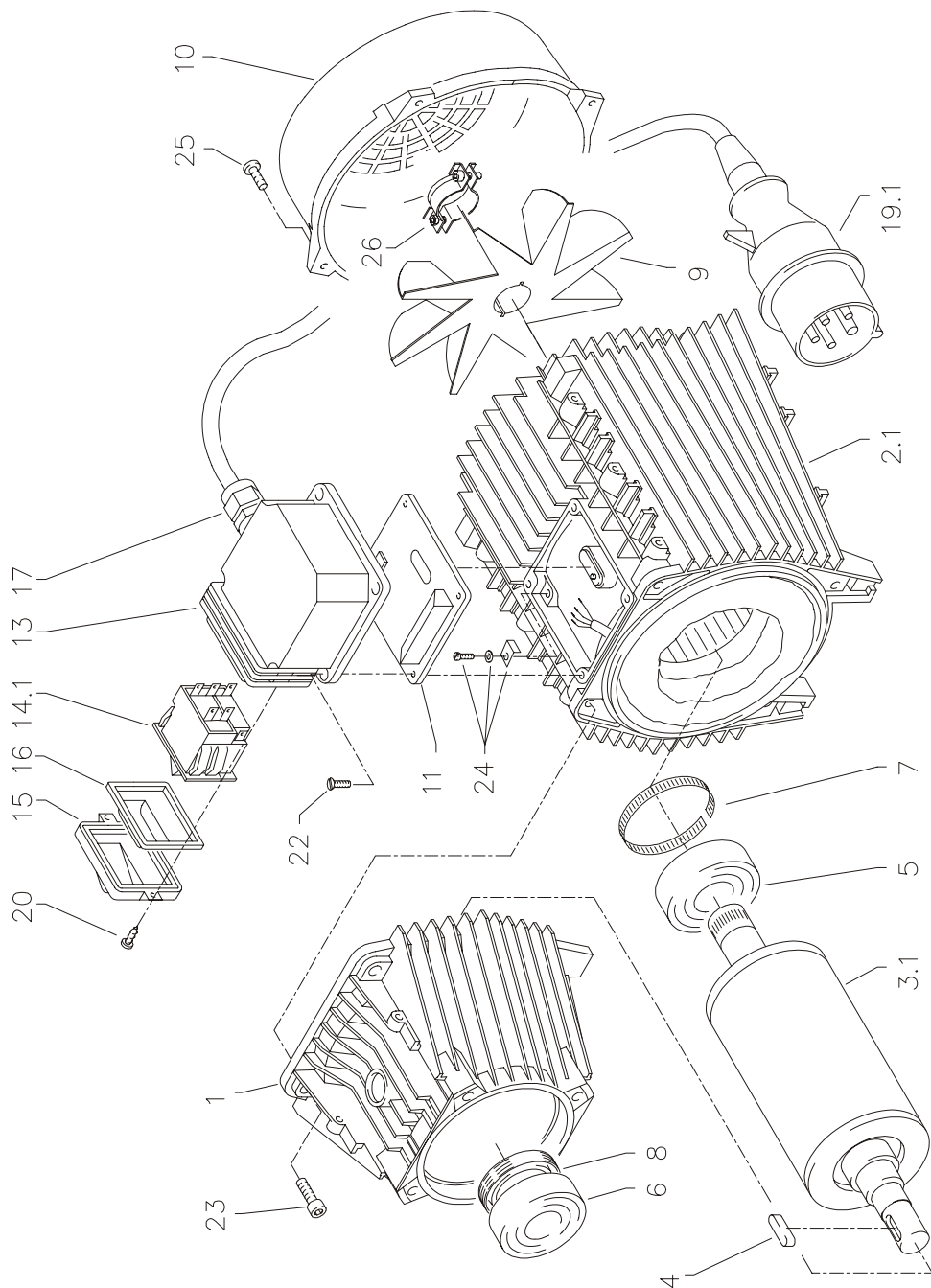


KRÄNZLE 145 T

Spare parts list AC motor for KRÄNZLE 145 T

No	Description	Qty.	Ord.-No
1	Ölgehäuse für AP	1	43.314
2	Motorgehäuse mit Stator Wechselstrom für Kränzle 145 T	1	43.400 9
3	Rotor mit Motorwelle Wechselstrom	1	43.316
4	Paßfeder 6 x 6 x 20	1	41.483 1
5	Motor-Lager B-Seite 6205 - ZZ	1	43.317
7	Toleranzhülse	1	43.330 1
6	Motor-Lager A-Seite Schulterlager 7304 BEP	1	41.027
8	Öldichtung 25 x 35 x 7	1	41.024
9	Lüfterrad BG 90	1	43.319
10	Lüfterhaube BG 90	1	43.320
11	Flachdichtung	1	43.030
12	Lüsterklemme 2-polig	1	43.031
13	Schalergehäuse BG 90	1	43.321
14	Schalter mit 13,5 A Überstromauslöser	1	41.110 2
15	Klemmrahmen mit Schalterabdichtung	1	41.110 5
16	Kabelverschraubung PG 11	1	41.419
17	Kabelverschraubung PG 9 (3-teilig)	1	43.034
18	Kondensator 70 µF	1	43.322
19	Kabel mit Stecker	1	41.092
20	Blechschrabe 3,5 x 9,5	2	41.088
21	Blechschrabe 2,9 x 16	1	43.036
22	Schraube M 4 x 12	4	41.489
23	Innensechskantschraube M 6 x 30	4	43.037
24	Erdungsschraube kmpl.	1	43.038
25	Schraube M 4 x 12	2	41.489
26	Schelle für Lüfterrad mit Schrauben	1	43.454

Three-phase current motor

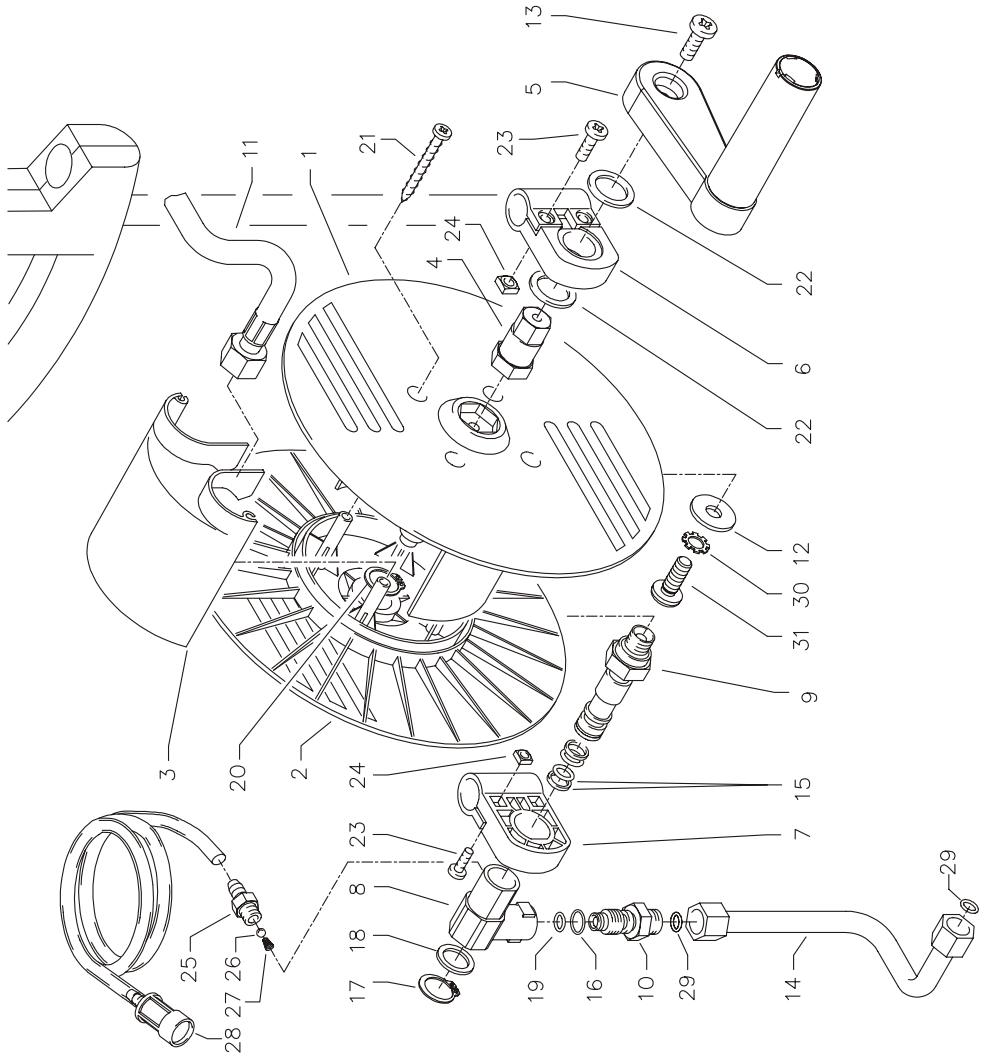


KRÄNZLE 175 T

Spare parts list Three-phase current motor for KRÄNZLE 175 T

No	Description	Qty.	Ord.-No
1	Ölgehäuse für AP	1	43.314
2	Motorgehäuse mit Stator Drehstrom für Kränzle 175 T	1	43.324
3	Rotor mit Motorwelle für Kränzle 175 T	1	43.325
4	Paßfeder 6 x 6 x 20	1	41.483 1
5	Motor-Lager B-Seite 6205 - 2Z	1	43.317
6	Motor-Lager A-Seite Schulterlager 7304 BEP	1	41.027
7	Toleranzhülse	1	43.330 1
8	Öldichtung 25 x 35 x 7	1	41.024
9	Lüfferrad BG 90	1	43.319
10	Lüfterhaube BG 90	1	43.320
11	Flachdichtung	1	43.030
13	Schaltergehäuse BG 90 Drehstrom	1	43.452
14	Schalter (Amazonas) 8 A für K 175 T	1	43.450
15	Klemmrahmen mit Schalterabdichtung	1	43.453
17	Kabelverschraubung PG 13,5	1	40.539
19	Kabel mit Stecker Drehstrom	1	41.092 1
20	Blechschraube 3,5 x 9,5	2	41.088
22	Schraube M 4 x 12	4	41.489
23	Innensechskantschraube M 6 x 30	4	43.037
24	Erdungsschraube kmpl.	1	43.038
25	Schraube M 4 x 12	2	41.489
26	Shelle für Lüfferrad mit Schrauben	1	43.454

Hose drum

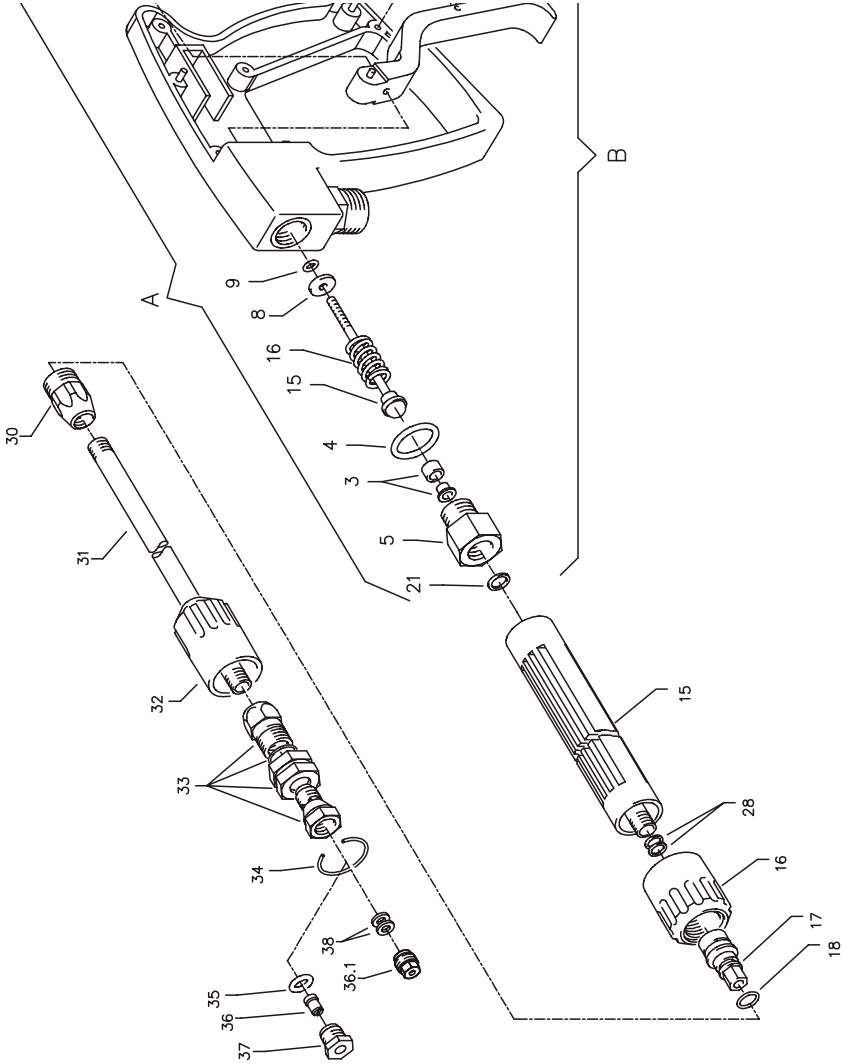


KRÄNZLE 145 T / 175 T

Spare parts list KRÄNZLE 145 T, 175 T Hose drum

No	Description	Qty.	Ord.-No
1	Schale groß	1	40.160
2	Schale klein	1	40.161
3	Knickschutz	1	40.162
4	Antriebswelle	1	40.166
5	Kurbel	1	40.165
6	Lagerklotz links	1	40.163
7	Lagerklotz rechts	1	40.164
8	Drehgelenk	1	40.167
9	Achse mit Wasserführung	1	40.168
10	Eingangsinjektor	1	40.169
11	HD-Schlauch NW 6 15 m	1	40.170
12	Scheibe DIN9021 6,4	1	50.174
13	Schraube M 5 x 10	1	43.021
14	Anschlußrohr Ermeto Edelstahl	1	40.175
15	Parbaks 16 mm	2	13.159
16	O-Ring 10 x 2	1	43.068
17	Sicherungsring 16 mm	1	40.182
18	Scheibe MS 16 x 24 x 2	1	40.181
19	O-Ring 6,68 x 1,78	1	40.585
20	Sicherungsring 20 mm	1	40.172
21	Kunststoffschraube 5,0 x 20	4	43.018
22	Backring 20 mm	2	40.025
23	Schraube M 5 x 16	4	40.178
24	Vierkanmutter M 5	4	41.416
25	Saugzapfen Schlauchanschluß	1	13.236
26	Edelstahlkugel 5,5 mm	1	13.238
27	Edelstahlfeder	1	13.239
28	Chemikaliensaugschlauch mit Filter	1	15.038
29	O-Ring 6 x 0,8	2	40.177
30	Zahnscheibe 6,4	1	40.183
31	Schraube M 6 x 16	1	40.171

Gun with lance

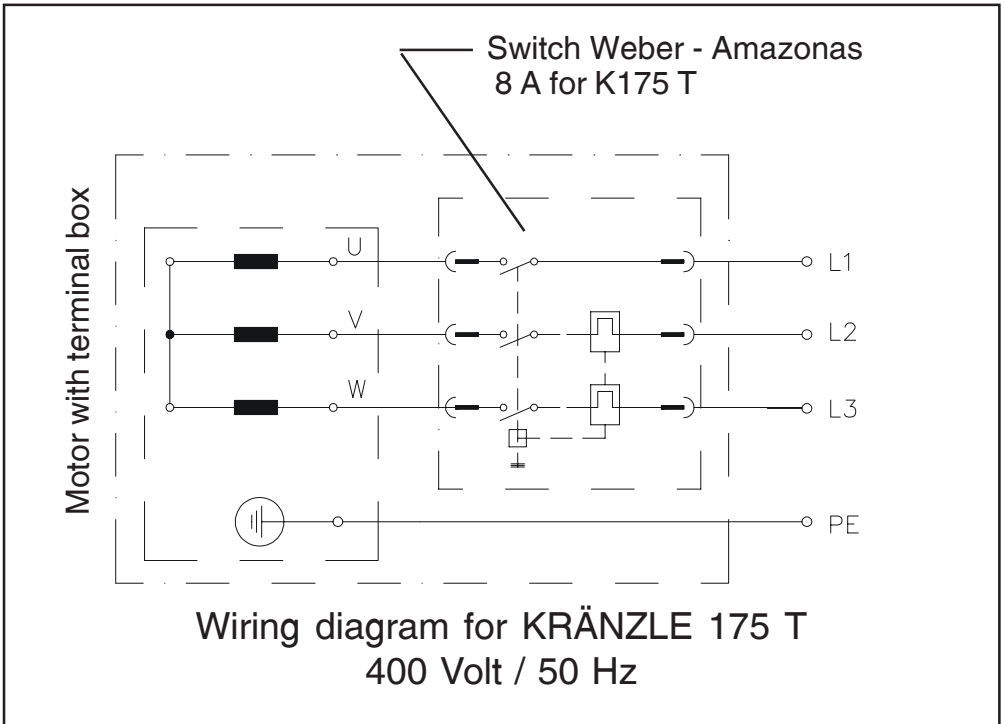
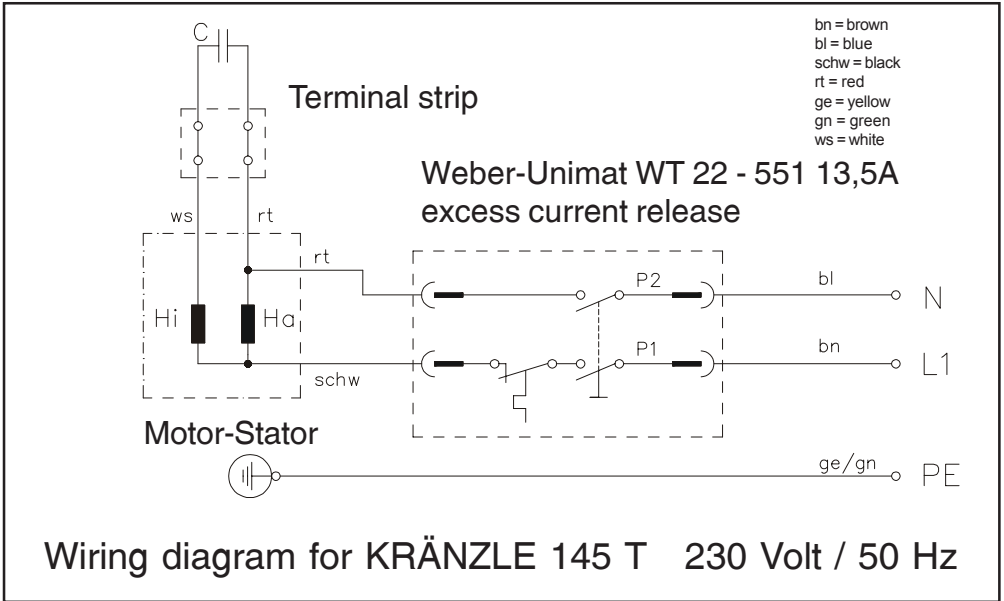


KRÄNZLE 145 T / 175 T

Spare parts list KRÄNZLE 145 T, 175 T Shuttle-Gun and lance with regulator nozzle

No	Description	Qty.	Ord.-No	No	Description	Qty.	Ord.-No
1	Handgriff mit Ventilkörper	1	12.165	21	Kolbenstange mit Kolben	1	12.143
2	Abdeckung seitlich	1	12.166	22	Druckfeder	1	12.145
3,1	Rohranschlußteil R1/4"	1	12.125	28	Aluminium Dichtring	6	13.275
3a+b	Messinghülse mit Teflonsitz	1	12.127	30	ST 30-Nippel M 22 x 1,5 AG / M 12 x 1	1	13.363
4	O-Ring 12 x 2	1	15.005 1	31	Rohr 400 lang, bds. M12 x 1	1	41.527
5	Abdeckung unten	1	12.167	32	Kunststoff-Hülse	1	13.202
6	Druckplatte	1	12.168	33	Regeldüse ohne Hülse	1	43.439
7	Abzug-Hebel	1	12.169	34	Sprengring	1	43.441
8	Messing-Scheibe	1	12.135	35	O-Ring 6,0 x 3,0	1	14.121
9	O-Ring 3,3 x 2,4	1	12.136	36	HD-Düse 25045	1	26.003
10	Sicherungshebel	1	12.170	37	Düsenhalter	1	26.004
11	Stift 3 x 17	1	12.171		MIDI-Pistole mit Verlängerung		12.160
12	Kontermutter M 4	2	12.138		Lance compl. with regulator nozzle		43.440
13	Schraube 3,9 x 9,5	4	12.172				
14	ST 30-Nippel M22 x 1,5 / R 1/4" AG	1	13.365				
15	Rohr kunststoffspritz bds. R 1/4" AG	1	15.004 2				
16	Überwurfmutter ST 30 M22 x 1,5 IG	1	13.276 1				
17	Außen-Sechskant-Nippel R 1/4" IG	1	13.277 1				
18	O-Ring 9,3 x 2,4	1	13.273				

Wiring diagram



General rules

Inspections

The machine must be inspected according to the “Guidelines for Liquid Spray Devices” at least once every 12 months by a qualified person, to ensure that continued safe operation is guaranteed. The results of the inspection are to be recorded in writing. This may be done in any form.

Accident prevention

The machine is designed for accidents to be impossible if used correctly.

The operator is to be notified of the risk of injury from hot machine parts and the high pressure water jet. The “Guidelines for Liquid Spray Devices” must be complied with. (see page 14 and 15)

**Check the oil level at the oil sight glass prior to each use.
(Ensure horizontal position!)**

Oil change:

The oil of your high pressure pump should be changed after approx. 40 hours of operation, or no later than when it takes on a grey or whitish colour. To change the oil, remove the two combination screws on the base-plate at the bottom, take off the base-plate and pull out the oil drainage hose. Put the hose over a container and take off the closure cap. Put the pump into horizontal position to drain off the oil. The oil must be caught in a container and disposed of in a responsible, legal manner.

New oil: 0.3 l - Motor oil: W 15/40

Warranty

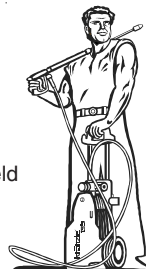
This warranty covers material and/or workmanship related defects only and does not extend to ordinary wear.

Machine must be operated according to enclosed operating instructions which are part of present warranty conditions.

All products sold directly to private customers are warranted for a period of 24 months, whereas the warranty period for industrial purchases is limited to 12 months.

In case of any warranty claims, please have your HP cleaner together with accessories and your purchase document ready and contact your nearest dealer or authorized service point which can also be looked up in the internet at www.kraenzle.com .

Warranty is void in case of attempts to modify any of the safety devices or in the event of exceeding temperature or rpm limits - this also applies to undervoltage, low water and/or polluted water. Gauge, nozzle, valves, sealing gaskets, high pressure hose and spray equipment are considered wear parts and do not fall under this warranty.



I. Kränzle GmbH
Elpke 97 . 33605 Bielefeld

EC declaration of conformity

We hereby declare,
that the high-pressure models:

(techn. documentation available from):

comply with the following guidelines
and specifications and their
amendments for high-pressure
cleaners:

Sound power level measured:
guaranteed:

Applied specifications and
standards:

Bielefeld, 08.09.05

Kränzle 145 T
Kränzle 175 T

Manfred Bauer, Fa. Josef Kränzle
Rudolf-Diesel-Str. 20, 89257 Illertissen

Machine guideline 89/392/EEC
Low voltage guideline 73/23 EEC
Specification for electromagnetic
compatibility 89/336 EEC
Outdoor noise directive 2000/14/EC,
Art. 13, High-pressure water jet machines
Appendix 3, part B, chapter 27

K145 T: 84 dB (A); K175 T: 87 dB (A)
K145 T: 89 dB (A); K175 T: 89 dB (A)

EN 60 335-2-79:2004
EN 55 014-1 / A2:2002
EN 61 000-3-2 / A14:2000
EN 61 000-3-3 / A1:2001
EN ISO 3744 : 1995

Droitsch
(Managing Director)

Notes

