

---

---

**POWER  
SHOT**

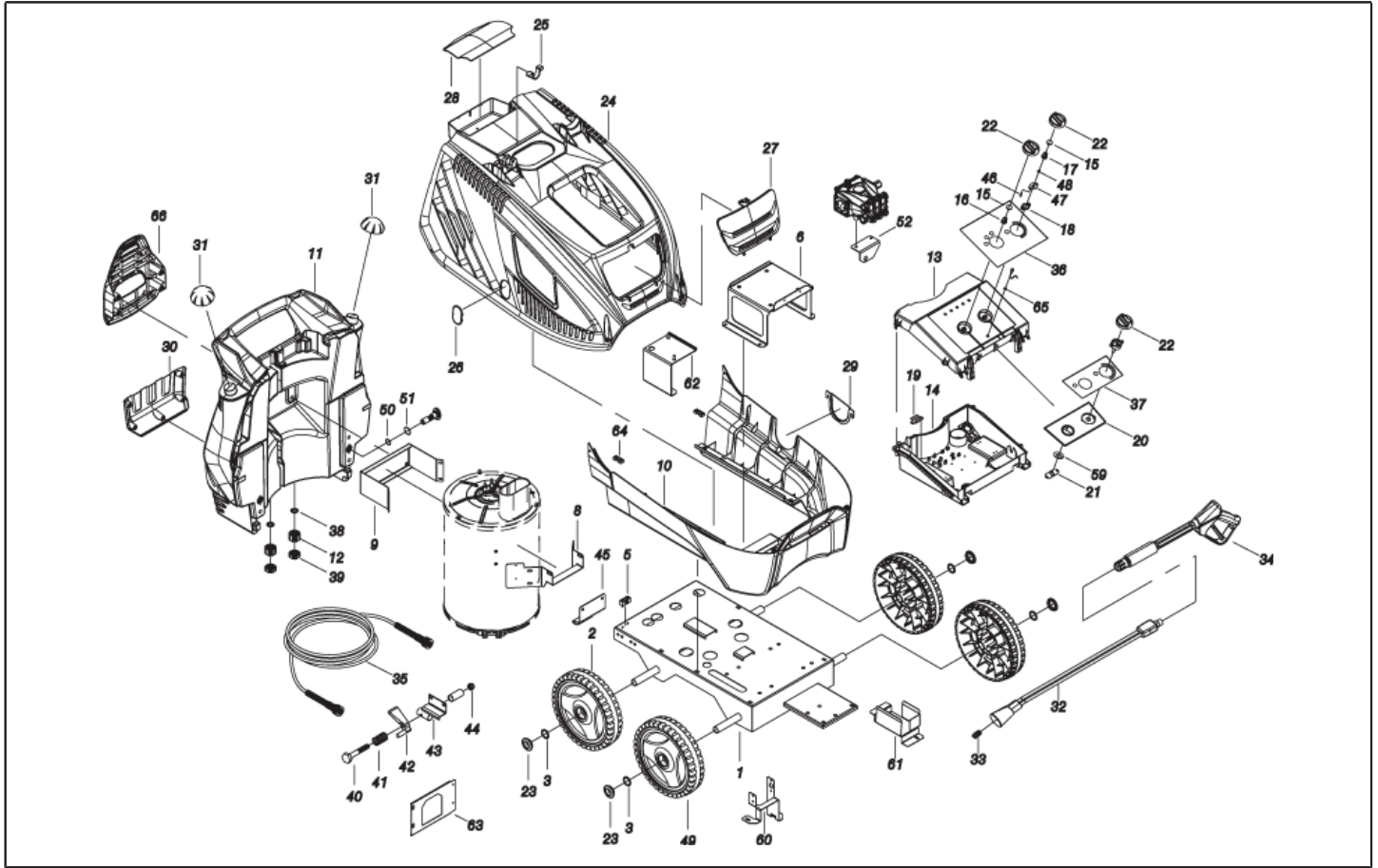
**HOTWASH**  
**HW2015**  
HOT WATER  
CLEANER



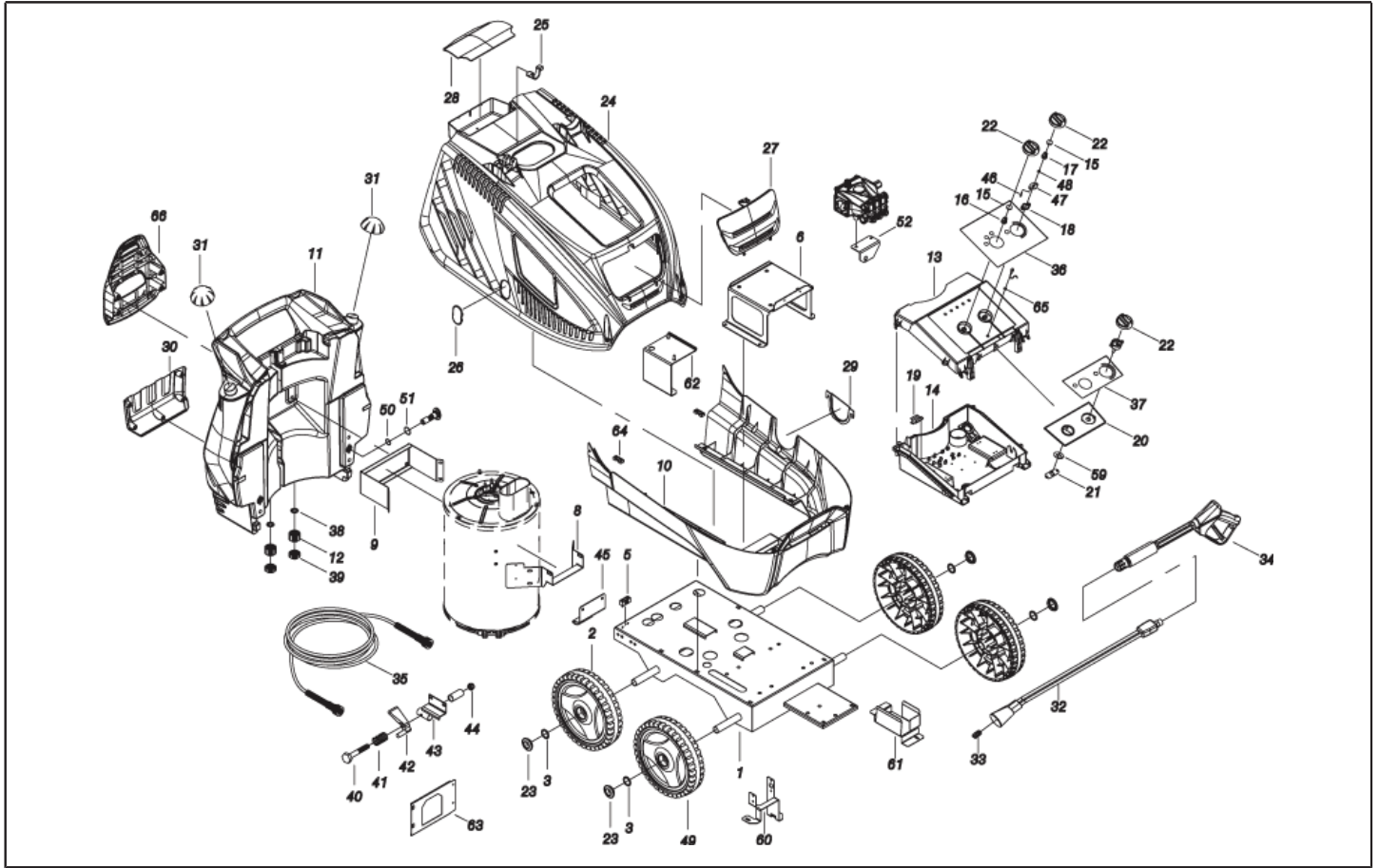
**SPARE PARTS LIST**

---

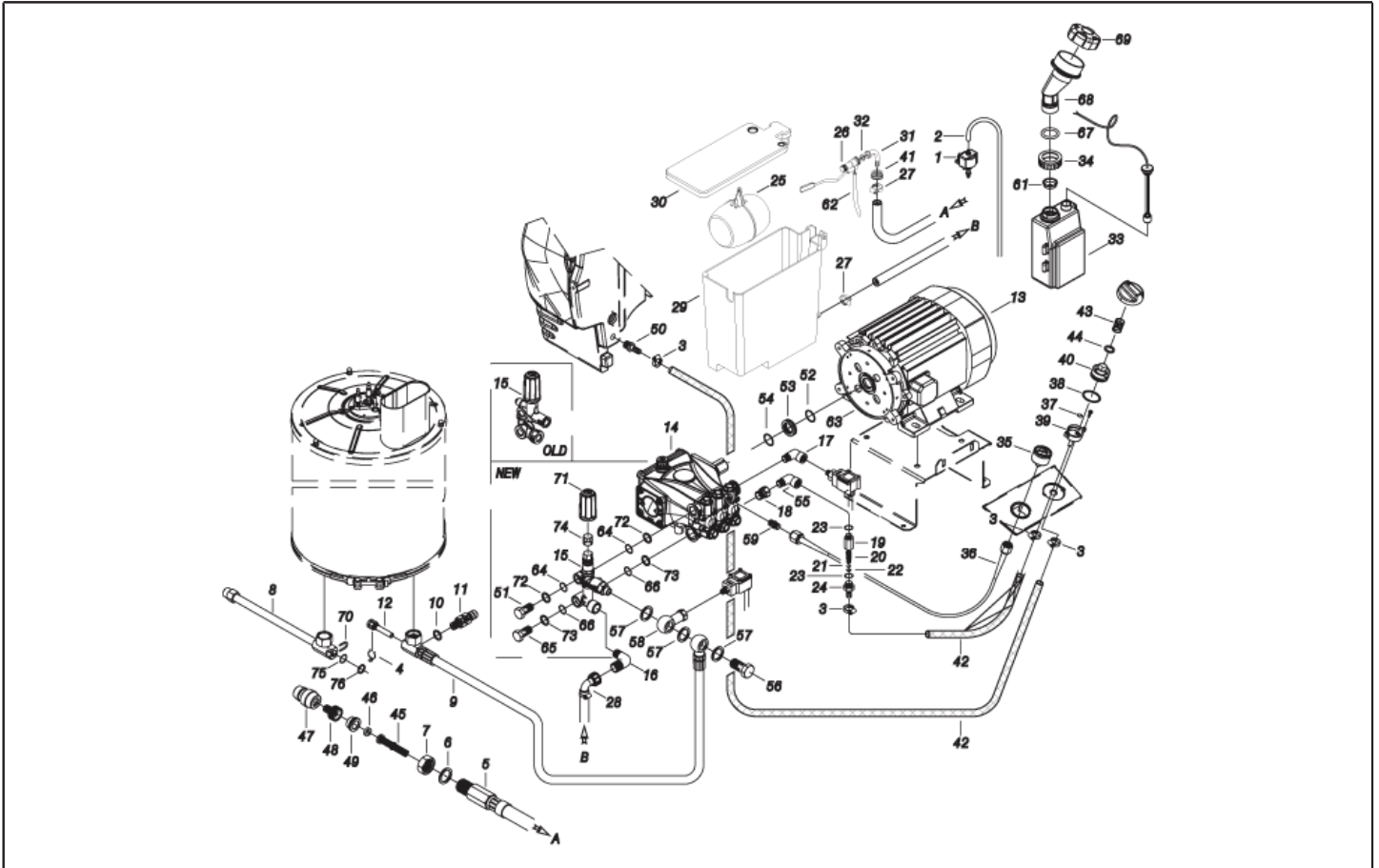
---



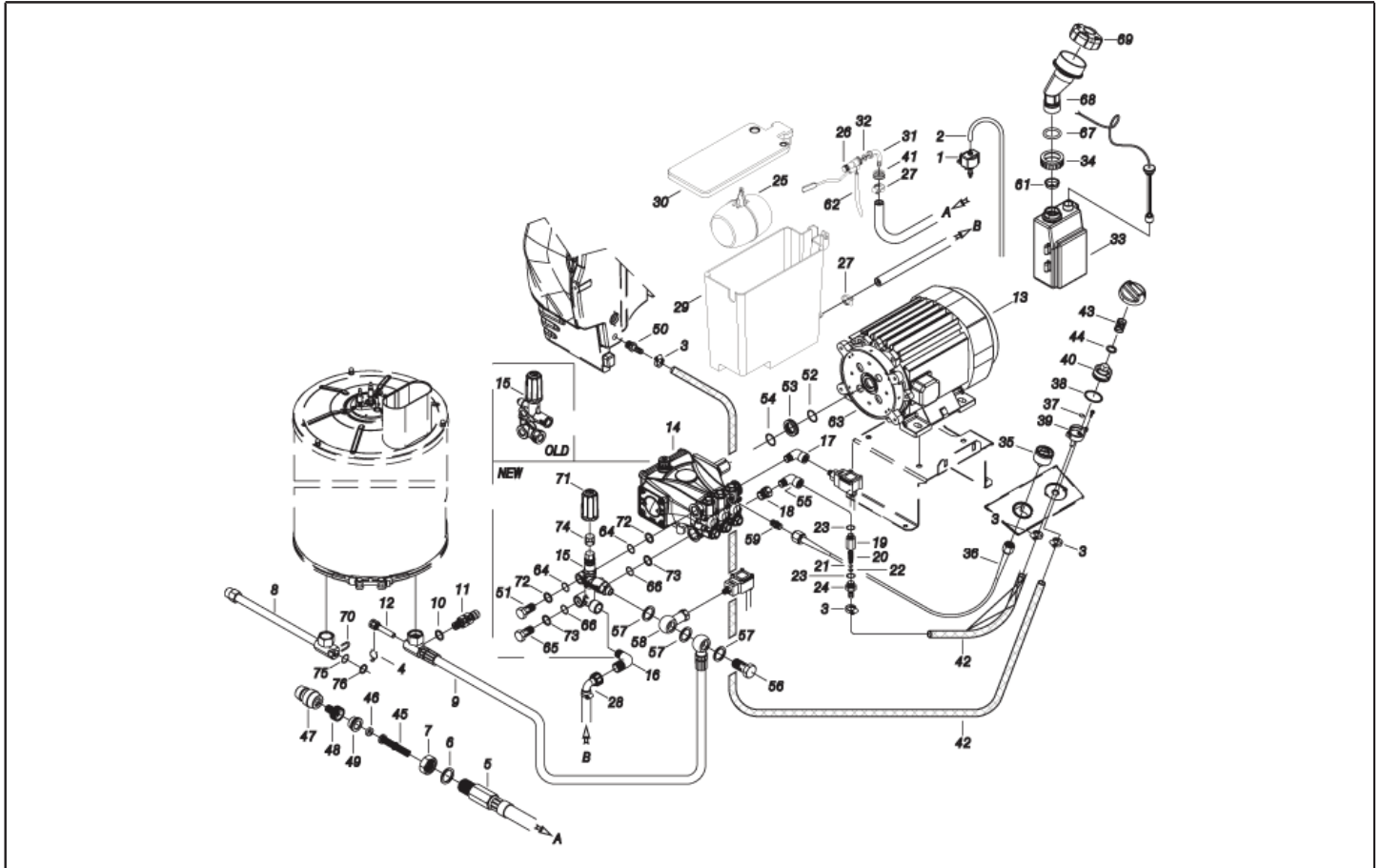
Ref. K	Part N.	Part N. 2	Description	Quantity	Validity		Price
					From	To	
0001	LAFN40761	N/A	CHASSIS PW-H50/7.5-4W BK.	1,00			--
0002	RTRT40042	N/A	WHEEL D.300-D.25 FLY-IPC	2,00			--
0003	VTRS09813	N/A	WASHER D.25	4,00			--
0005	MEVR20906	N/A	CABLE CLAMP KSM	1,00			--
0006	LAFN40683	N/A	MOTOR SUPPORT PW-H35/7.5Hp ZC.	1,00			--
0008	LAFN40685	N/A	SUPPORT PW-H35/7.5 PS.ZC.	1,00			--
0009	LAFN40835	N/A	BRACKET PW-H35 PM.2 ZC	1,00			--
0010	MPVR40704	N/A	BLACK COVER PW-H35/7.5 INF.PP	1,00			--
0011	MPVR40791	N/A	TANK PW-H50 PI. PEHD BK.	1,00			--
0012	PVVR11806	N/A	DISCHARGE CAP FLL	2,00			--
0013	MPVR40540	N/A	BOX COVER PW-H35 ABS BK.	1,00			--
0014	MPVR40784	N/A	CONTROL BOX PW-H35 C/F.TH ABS BK.	1,00			--
0015	GUGO25527	N/A	O-RING D. 14 X 3 NBR 70SH	2,00			--
0016	MPVR23482	N/A	SWITCH TANG TEC. TUV	1,00			--
0017	S MPVR40843	N/A	TAIL PIECE THERM.PW-H PL.	1,00	01/11/2016		--
0018	S MPVR41903	N/A	THICKNESS TERM.IM.PA66	1,00			--
0019	LAFN40667	N/A	SUPPORT L.60 P176	1,00			--
0020	MPVR40542	N/A	ANT. PANEL PW-H35 ABS BK.	1,00			--
0021	LAFN40922	N/A	JUNCTION BOARD PW-H35 D.14 ZC.	1,00			--
0022	MPVR49057	N/A	BLACK KNOB P176-M.RACE PA6	3,00			--
0022	VTVT00522	N/A	SCREW TCB-TC 2.9X 9.5 UNI6954	1,00	15/07/2018		--
0023	MPVR40782	N/A	HUB CAP D.50 G-48/IPC BK.	4,00			--
0024	MPVR40946	N/A	GREY COVER PW-H35 SUP.PP	1,00			--
0024	VTVR40048	N/A	HANDWHEEL M 5MAX10 THP20	1,00			--
0024	FSVR62795	N/A	PLATE DI FISSAGGIO RPD0074	2,00			--
0025	MPVR40485	N/A	RUBBER PW-H35 15-20BK.	1,00			--
0025	MPVR40534	N/A	PIN PW-H35 PP BK.	2,00			--
0026	MPVR40539	N/A	DOOR PW-H35 PPL NT.	1,00			--
0027	MPVR40660	N/A	DOOR PW-H35 PPL BK.	1,00			--
0028	MPVR40661	N/A	DOOR PW-H35 PPL BK. PST	1,00			--
0029	MPVR40532	N/A	DOOR PW-H35 PPL BK.INF.	1,00			--
0030	MPVR40533	N/A	TOOL HOLDER PW-H35 PP BK.	1,00			--
0031	MPVR40187	N/A	TANK CAP P215 PEHD C/F.	2,00			--
0032	LCPR40087	N/A	EXTENSION P 70 -P20.IX700 M22 M	1,00			--
0033	UGLN49987	N/A	NOZZLE LECH 1/4 15045	1,00			--
0034	IPPR40025	N/A	GRIP G 6000+P.330 +M22 SW.M 2V	1,00			--
0035	TBAP25324	N/A	H.P. HOSE R1 MT 10 5/16" C/2 IRV ZC	1,00			--
0036	ETET40835	N/A	LABEL PW-H50/7.5 GLX.EL.PLUS	1,00			--
0037	ETET40590	N/A	LABEL PW-H35.RUNNER IDR.	1,00			--
0038	GUGO11489	N/A	GASKET D.22X1,5	2,00			--
0039	MPVR20187	N/A	RING NUT M 39 X 3	2,00			--
0040	VTVT14480	N/A	SCREW TE M 8X80 ZINC. UNI	1,00			--
0041	MLML11917	N/A	SPRING D. 14.5 X24 X2.2	1,00			--
0042	MPVR40751	N/A	TRIGGER H28/4W	1,00			--



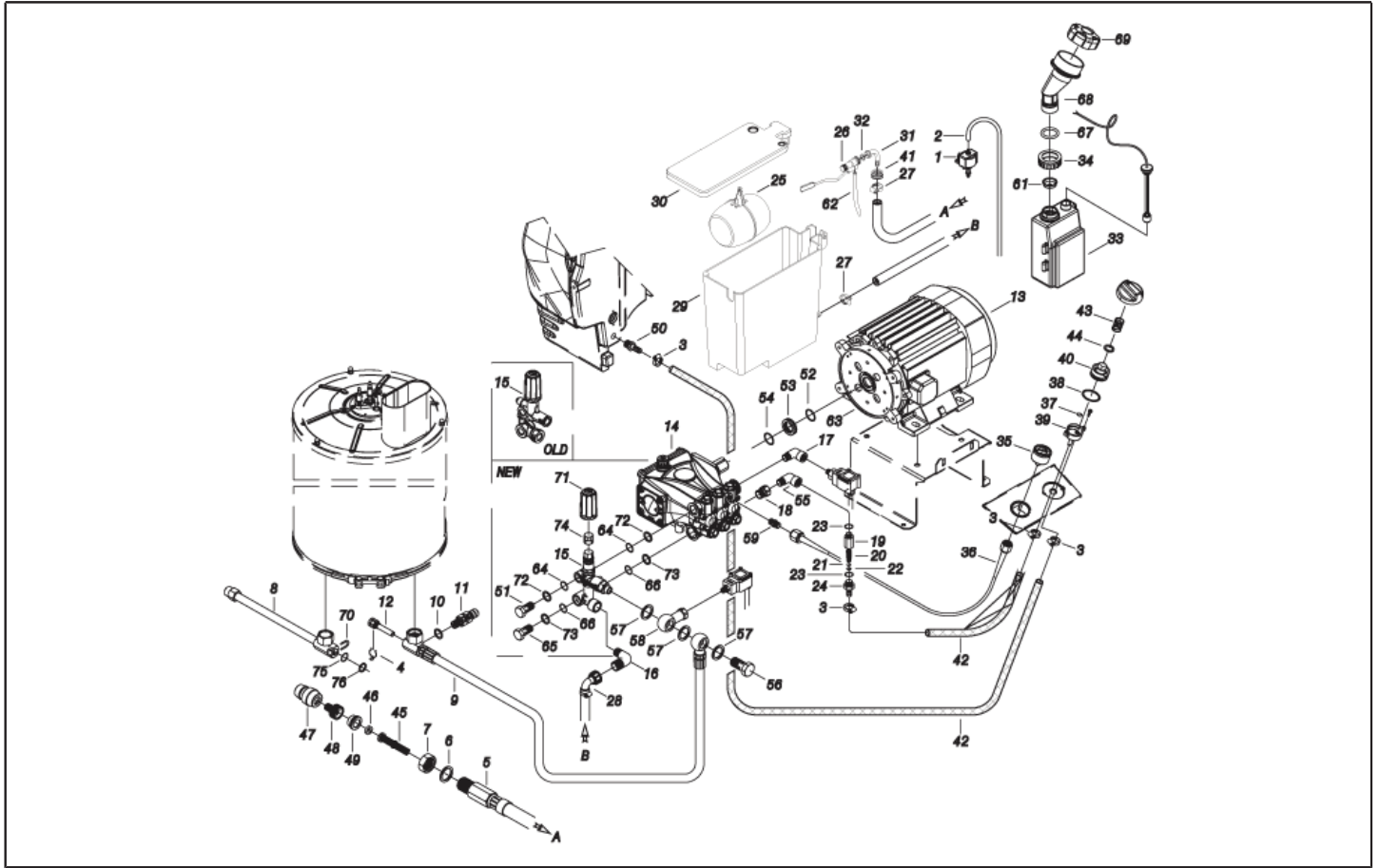
Ref. K	Part N.	Part N. 2	Description	Quantity	Validity		Price
					From	To	
0043	LAFN40762	N/A	BRACKET PW-H50/4W BK.	1,00			--
0044	VTDD00492	N/A	NUT M 8 ZINC	1,00			--
0045	LAFN40609	N/A	FOOT PW-H35/4W	1,00			--
0046	S VTVR40014	N/A	PIN CH. 7 X 10 M4M/M4F NIK.	2,00			--
0046	S VTDD04369	N/A	NUT M 4 TEF UNI 7473	2,00			--
0047	S LAFN40763	N/A	PLATE PW-H28 POT. IX	1,00			--
0048	S LAFN40916	N/A	BUSHING D. 6- 9 L= 8 BZ.SINT.	1,00	01/11/2016		--
0049	RTRT40041	N/A	WHEEL D.250-D.25X 65 RES BK.	2,00			--
0050	GUGO01056	N/A	O-RING D. 18.72 X 2.62 NBR 70SH	1,00			--
0051	GUGO01197	N/A	O-RING D. 22.22 X 2.62 NBR 70SH	1,00			--
0059	LAFN40921	N/A	PLATE PW-H35 D.14 ZC.	1,00			--
0060	LAFN40687	N/A	BRACKET PW-H35/7.5 ZC.	1,00			--
0061	LAFN40686	N/A	SUPPORT BRACKET PW-H35/7.5 ZC.	1,00			--
0062	LAFN40695	N/A	B.TANK BRACKET PW-H35/7.5 BK.	1,00			--
0063	LAFN40684	N/A	SUPPORT PW-H35/7.5 AN.ZC.	1,00			--
0064	MPVR28554	N/A	CABLE FASTNER ELT	1,00			--
0064	VTVT13234	N/A	SCREW TCB-TC 3.5X19 NIK	2,00			--
0066	MPVR40701	N/A	HOSE SUPPORT PW-H35 PP BK.	1,00			--



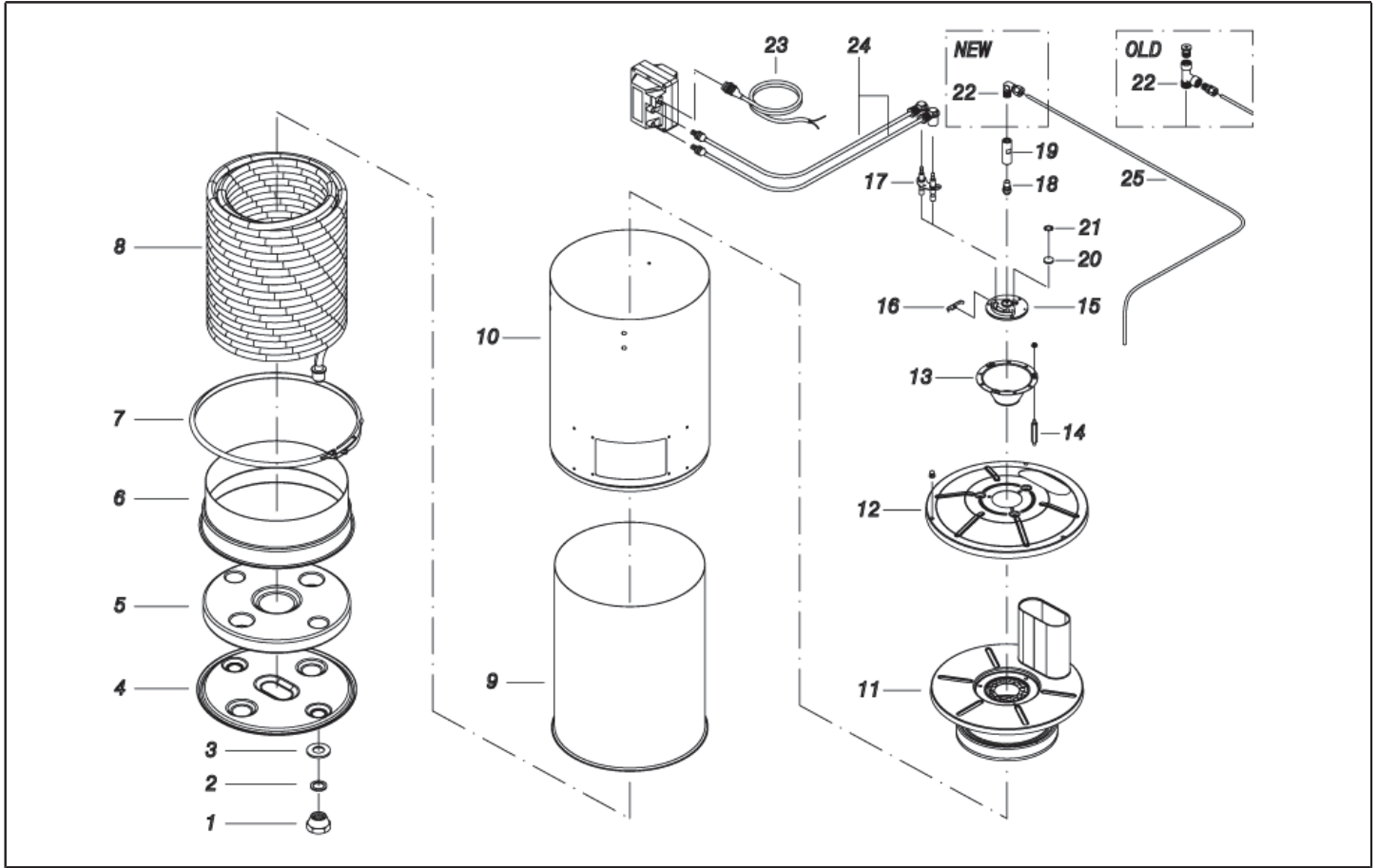
Ref. K	Part N.	Part N. 2	Description	Quantity	Validity		Price
					From	To	
0001	MEPD45940	N/A	DESCALING PUMP NME 1 24V 50/60HZ	1,00			--
0002	TBBP00058	N/A	L.P. HOSE D. 4- 7	0,90			--
0003	FSVR00427	N/A	CLAMP D. 12 CLIC 66-110	4,00			--
0004	MLML02623	N/A	SPRING IMT	1,00			--
0005	TBBP40136	N/A	L.P. HOSE L=1150 1/2OCC.-LIB.	1,00			--
0006	RCDS49875	N/A	RING NUT 1/2"X 6 CH.27 OT.	1,00			--
0007	VTRS00549	N/A	WASHER D.21,5X27X1.5 (1/2) RM	1,00			--
0008 S	RCDS21118	N/A	CONNECTOR KSM	1,00			--
0008 S	RCDS21119	N/A	NUT KSM	1,00			--
0008 S	RCDS40230	N/A	CONNECTOR G 3/8F -1/4 -P/NTC C.27	1,00			--
0008 S	RCDS40164	N/A	CONNECTOR L=285 2X3/8M CN. ZC.	1,00			--
0008 S	RCIN03753	N/A	MALE COUPLING M22-3/8 M-FA	1,00			--
0009	TBAP40228	N/A	HOSE-FITTING 3/ 8 R2 L=710 3/8OC.-PM26	1,00			--
0010	VTRS40960	N/A	WASHER D.13.5X19 X4 AL.	1,00			--
0011	VVSC47427	N/A	VALVE MG 1000 G1/4M-M D.8 250B	1,00			--
0012	RCDS00593	N/A	SUMP IM 0-120 L=50	1,00			--
0013	MOTR40053	N/A	3PH MOTOR H35 HP7.5 23-400/50k RR/K	1,00			--
0014	PPAP40039	N/A	PUMP RC 14.16 DX N	1,00			--
0015	VVAZ40097	N/A	VALVE VRF-2 AR-R PPr S/I. 3/8F	1,00			--
0017	PVVR40183	N/A	CAP AR RC C/F. 1/8F+OR	2,00			--
0017	RCDS40176	N/A	ELBOW 1/8" M/F CN. L=24 OT.	2,00			--
0018	RCVR02606	N/A	REDUCTION 1/2-1/4 M/F	1,00			--
0019	RCDS46072	N/A	VALVE BODY N/R 1/4F-1/4 P176 OT	1,00			--
0020	MLML21505	N/A	SPRING D. 8 X5 X0.3	1,00			--
0021	SFVR04274	N/A	BALL D. 7/32	1,00			--
0022	GUGO01055	N/A	O-RING D. 5.28 X 1.78 VIT 70SH	1,00			--
0023	GUGO01036	N/A	O-RING D. 10.82 X 1.78 NBR 70SH	1,00			--
0024	RCDS10546	N/A	VALVE SEAT 1/4M + PG. D.3-7.5 OTT	1,00			--
0025	RCGR01387	N/A	PLASITC BALL D.104	1,00			--
0026	RCGR10358	N/A	TAP UG. D. 7	1,00			--
0027	FSVR00431	N/A	CLAMP D. 16-25	2,00			--
0029	MPVR22117	N/A	WATER TANK FUT PPL BK.	1,00			--
0030	MPVR40699	N/A	TANK COVER FUT PPL C/FR.BK.	1,00			--
0031	RCDS10357	N/A	HOSE FITTING FUT 90°	1,00			--
0033	MPVR40698	N/A	TANK KSM C/PE.	1,00			--
0034	MPVR40739	N/A	TANK CAP KSM D.36.2	1,00			--
0035	MNMN93800	N/A	PRESSURE GAUGE 1/8 POST. 0-300 D.40 S/ST	1,00			--
0036	TBAP40113	N/A	POLYAMIDE HOSE L=420 1/4F GR.-1/8F MN.	1,00			--
0037	GUGO08071	N/A	O-RING D. 4.48 X 1.78 NBR 70SH	1,00			--
0038	GUGO12183	N/A	O-RING D. 23.4 X 3.53 VIT 70SH	1,00			--
0039	RCGR08069	N/A	TAP BODY DET. PRT	1,00			--
0040	RCGR08070	N/A	ADJUSTER PRT	1,00			--
0040	MPVR40976	N/A	CAP D. 5.4-8 L.10 PVC WH.	1,00			--
0040	GUGO10464	N/A	O-RING D. 5.28 X 1.78 NBR 70SH	1,00			--



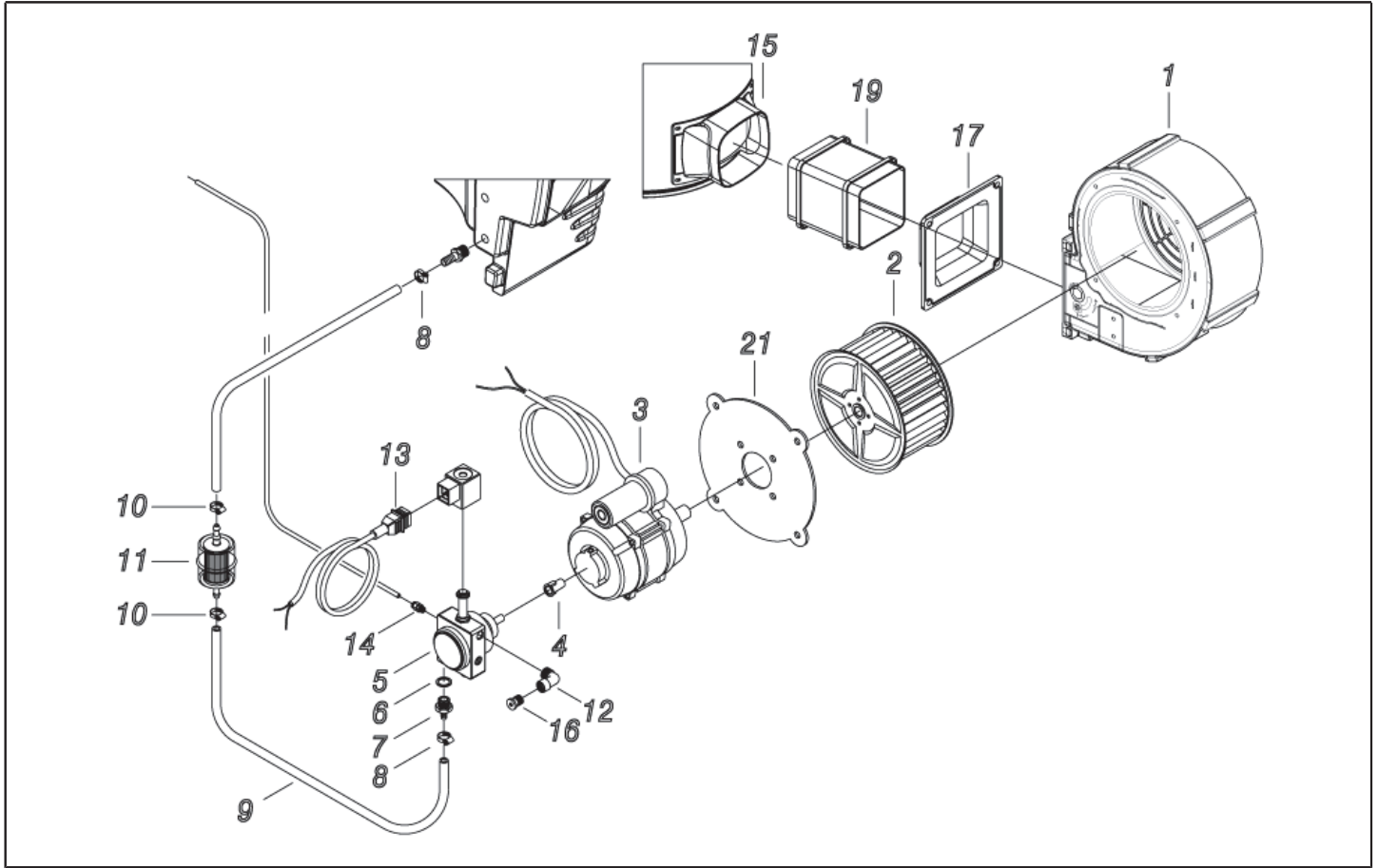
Ref. K	Part N.	Part N. 2	Description	Quantity	Validity		Price
					From	To	
0041	RCDS10356	N/A	RING NUT FUT	1,00			--
0042	TBBP00051	N/A	DETERGENT HOSE D. 6-12	1,20			--
0042	TBBP00051	N/A	DETERGENT HOSE D. 6-12	0,77			--
0043	MLML08068	N/A	SPRING D.1,5 L.23	1,00			--
0044	VTRS00542	N/A	WASHER D.14X20	1,00			--
0045	FTAC30214	N/A	FILTER D.15X67	1,00			--
0046	GUGO37736	N/A	GASKET D. 10- 19 X 5 70SH	1,00			--
0047	RCVR29600	N/A	SOCKET PTC 3/4 F	1,00			--
0048	RCVR29602	N/A	CONNECTOR D. 1/2"-5/8" PTC	1,00			--
0049	RCVR37806	N/A	REDUCTION PTC 3/4-1/2 M/F	1,00			--
0050	RCVR40113	N/A	HOSE FITTING 1/8 M D. 5- 7 NIK	2,00			--
0051	RCDS40172	N/A	SCREW 3/8 VRF-2 OT 4F.	1,00			--
0052	GUGO21337	N/A	O-RING D. 25.07 X 2.62 VIT 70SH	1,00			--
0053	RCDS25578	N/A	BUSHING IP VVW141 OT.	1,00			--
0054	GUGO21339	N/A	O-RING D. 29.82 X 2.62 VIT 70SH	1,00			--
0056	RCDS01371	N/A	SCREW G 3/8 A.P.	1,00			--
0059	RCDS14563	N/A	NIPPLE 1/4 - 1/8 SV	1,00			--
0061	MPVR18582	N/A	CAP D.22	1,00			--
0062	TBBP17436	N/A	L.P. HOSE D.12-14 RILSAN NT.	0,17			--
0063	MFVR21309	N/A	COUNTERFLANGE MEC 90-100-112	1,00			--
0064	GUGO03510	N/A	O-RING D. 12.37 X 2.62 NBR 70SH	2,00			--
0065	RCDS40254	N/A	SCREW G 1/2 VRF-2 D.11.5 IX	1,00			--
0067	GUGO89386	N/A	O-RING D. 30 X 5 NBR 70SH	1,00			--
0068	MPVR40700	N/A	MANIFOLD A.CLCL PW-H35 PP NT.	1,00			--
0069	MPVR40187	N/A	TANK CAP P215 PEHD C/F.	1,00			--
0070	LAFN40832	N/A	PLUG "U" SIST.NTC PW-H INX	1,00			--
0071	PVVR40471	N/A	KNOB VRF-2 A.sf.	1,00			--
0072	VTRS00548	N/A	WASHER D.17,5X23X1,5 (3/8)RM	1,00			--
0073	VTRS00549	N/A	WASHER D.21,5X27X1,5 (1/2) RM	3,00			--
0075 S	GUGO27030	N/A	O-RING D. 6 X 3 VIT 70SH	1,00			--
0075 S	GUVR40089	N/A	ANTI-EXTR.RING D. 6.6X11.9X1.5 PTFE	1,00			--



Ref. Part N.	Cust. Part N.	Description	Reference	Price
KTRI40386		KIT P 13- 14 PW-H50/PM NTC	0008 0008 0008 0008 0008 0060 0075	--

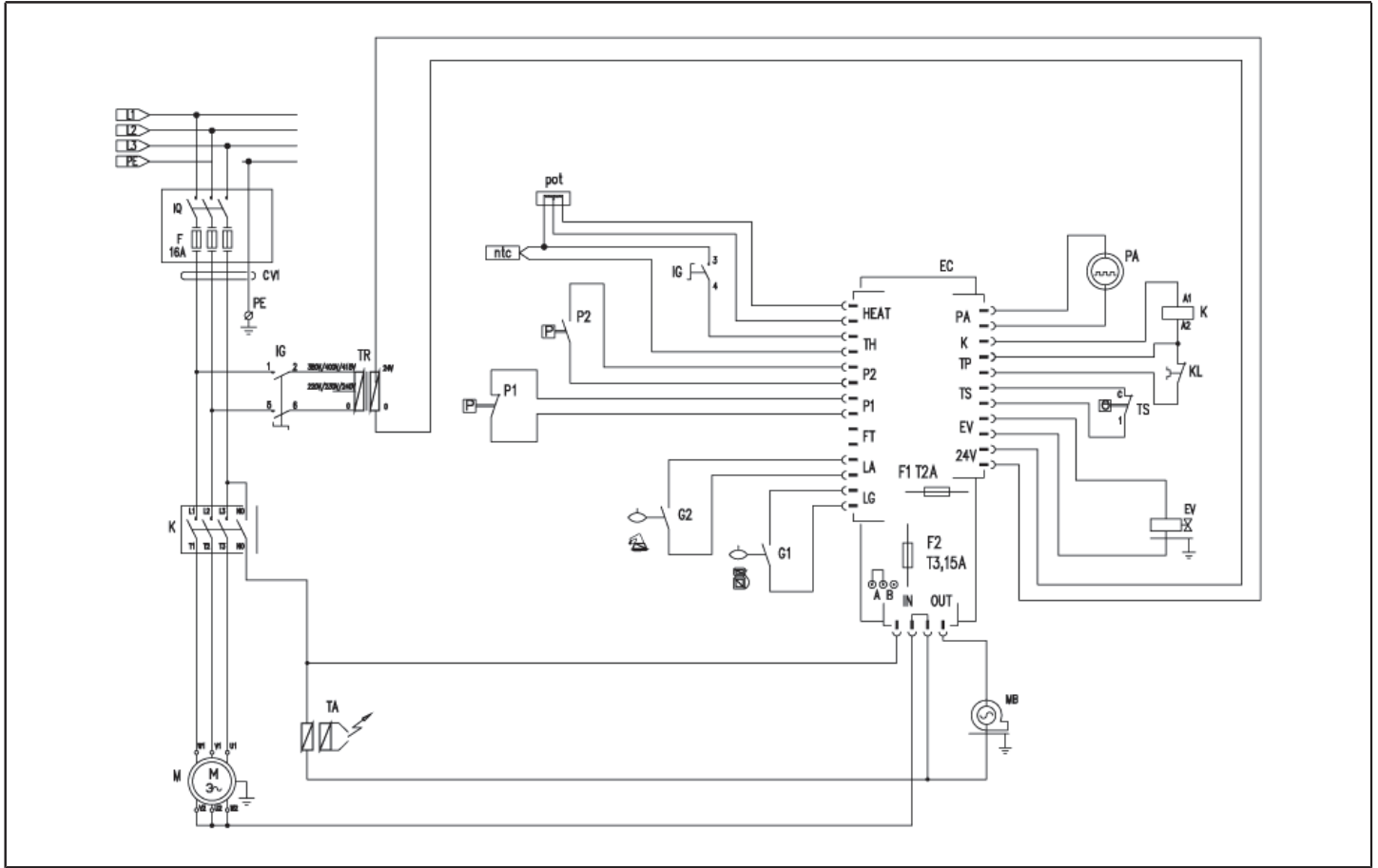


Ref. K	Part N.	Part N. 2	Description	Quantity	Validity		Price
					From	To	
0001	RCDS21120	N/A	RING NUT M 26 X 1,5	2,00			--
0002	GUGO21222	N/A	O-RING D. 15.54 X 2.62 VIT 80SH	2,00			--
0003	GUVR21021	N/A	ANTI-EXTR.RING D. 21 X17 TEF.	2,00			--
0004	LAFN44149	N/A	BOILER BOTTOM P176	1,00			--
0005	ITTE44175	N/A	BOTTOM P176 C.TE	1,00			--
0006	LAFN44151	N/A	BAND P176 INX	1,00			--
0007	LAFN40037	N/A	RING D.342 P176 ZN 2V.CPL.	1,00			--
0008	LAFN47175	N/A	DOUBLE COIL M26X1.5 P176 30MT I.304	1,00			--
0009	LASL40101	N/A	INT. CYLINDER PM INX	1,00			--
0010	LAFN40688	N/A	EXT. CYLINDER PM-H35/7.5 INX	1,00			--
0011	LAFN40269	N/A	BOILER COVER SI PM INX	1,00			--
0012	LAFN40270	N/A	BOILER COVER SE PM INX	1,00			--
0013	LAFN44244	N/A	BAFFLE P176 30M INX	1,00			--
0014	LAFN40271	N/A	PIN CH.10 X 67.7 M5M/M5M PM	3,00			--
0015	MFVR18226	N/A	ELECTR.HOLDER FUT 3°V	1,00			--
0016	LAFN07641	N/A	PLATE INX	1,00			--
0017	MECA12525	N/A	ELECTRODE FUT	1,00			--
0018	UGBR22576	N/A	BURNER NOZZLE 1.35 60 S	1,00			--
0019	RCDS07642	N/A	NOZZLE HOLDER FUT	1,00			--
0020	MPVR18228	N/A	OIL WARN-LIGHT D.17 X3	1,00			--
0021	VTAE22633	N/A	SEEGER 0.4 X18,30X10,5	1,00			--
0022	RCVR08954	N/A	ELBOW 1/8"-4 B5	1,00	01/03/2015		--
0023	MECB34463	N/A	CABLE BT L=800 SP. FD	1,00			--
0024	MECV35335	N/A	CABLE A.T. 9,8-23KOHM/M L= 500P	2,00			--
0025	TBCO40075	N/A	DIESEL HOSE PW-H35/3-MB D. 4 IX	1,00			--

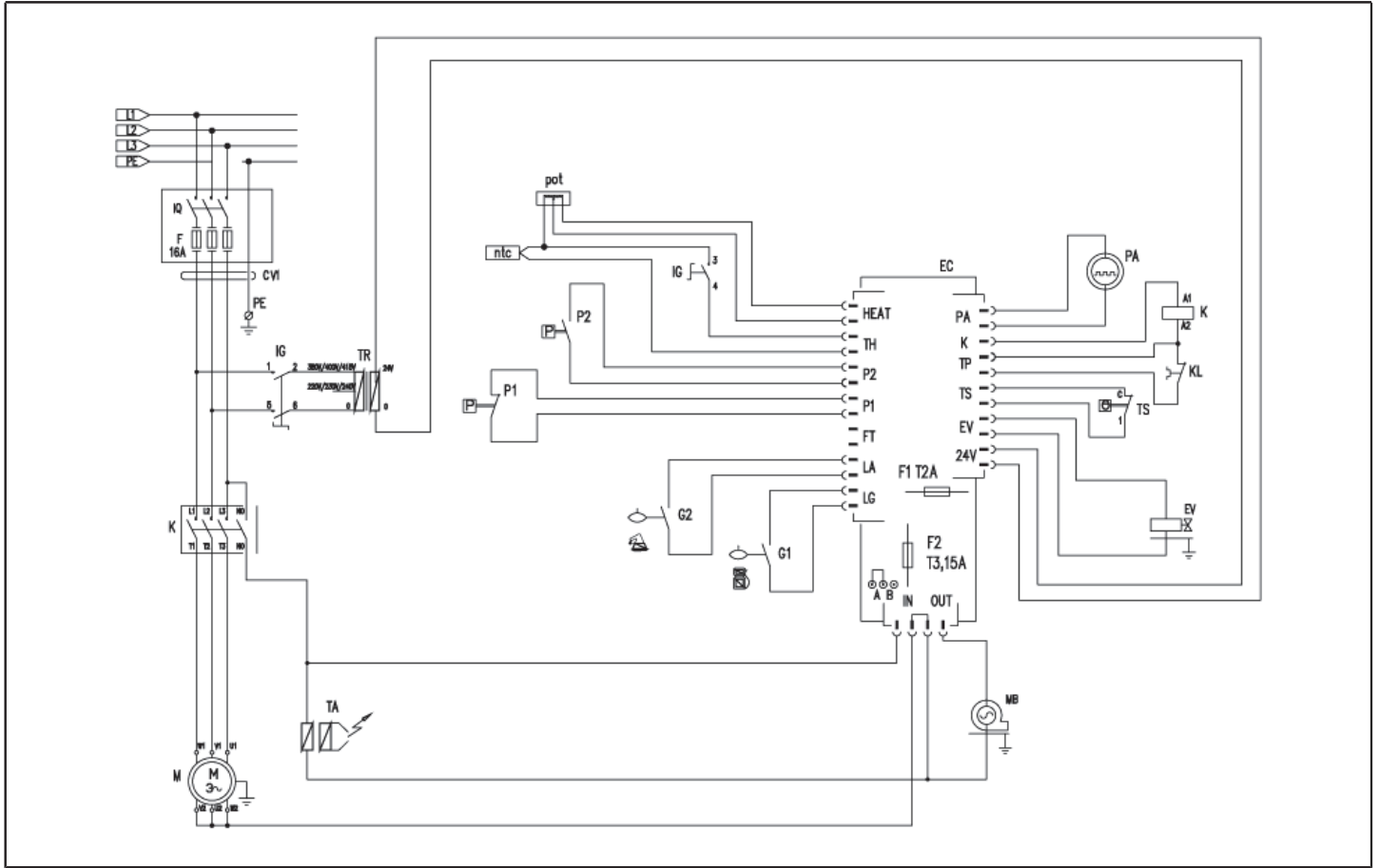


Ref. K	Part N.	Part N. 2	Description	Quantity	Validity		Price
					From	To	
0001	MPVR40665	N/A	SCROLL CB4 -2PZ.GR.	1,00	06/11/2015		--
0002	VEVR34275	N/A	IMPELLER D.160-80 D.12.7 36P B.SX	1,00			--
0003	MOMB34119	N/A	BURNER MOTOR 230-50 IP44 150W A.OR	1,00			--
0004	FGGT36513	N/A	JOINT HP 0.25 AACO	1,00			--
0005	PPGS40010	N/A	FUEL PUMP DNF BFA 01L3R1	1,00			--
0006	VTRS04931	N/A	WASHER COPPER D.13X19X1.5	1,00			--
0007	RCDS00626	N/A	HOSE FITTING 1/4 M D. 5- 7	1,00			--
0008	FSVR00427	N/A	CLAMP D. 12 CLIC 66-110	2,00			--
0009	TBCO06945	N/A	L.P. HOSE D. 6-12 10BAR C.PRESS	0,70			--
0009	TBCO06945	N/A	L.P. HOSE D. 6-12 10BAR C.PRESS	0,43			--
0010	FSVR11197	N/A	CLAMP D.12.9-13.6	2,00			--
0011	FTCO10912	N/A	FILTER FB 13/T NYL.	1,00			--
0013	MECB46130	N/A	CABLE DLT L=1100	1,00			--
0014	RCVR14014	N/A	BI-CONE CONNEC. DTT 1/8"M B1 D. 2/ 4 NIK	1,00			--
0015	MPVR88426	N/A	CONVEYOR P176 PA6 BK.	1,00			--
0017	MPVR40014	N/A	CONVEYOR CB4-FBX PA6	1,00			--
0019	GUVR40009	N/A	SLEEVE SLV H=130	1,00			--
0019	FSVR01873	N/A	CLAMP LG 31920 9 X500	2,00			--
0021	LAFN10272	N/A	MOTOR PLATE CB 3	1,00			--

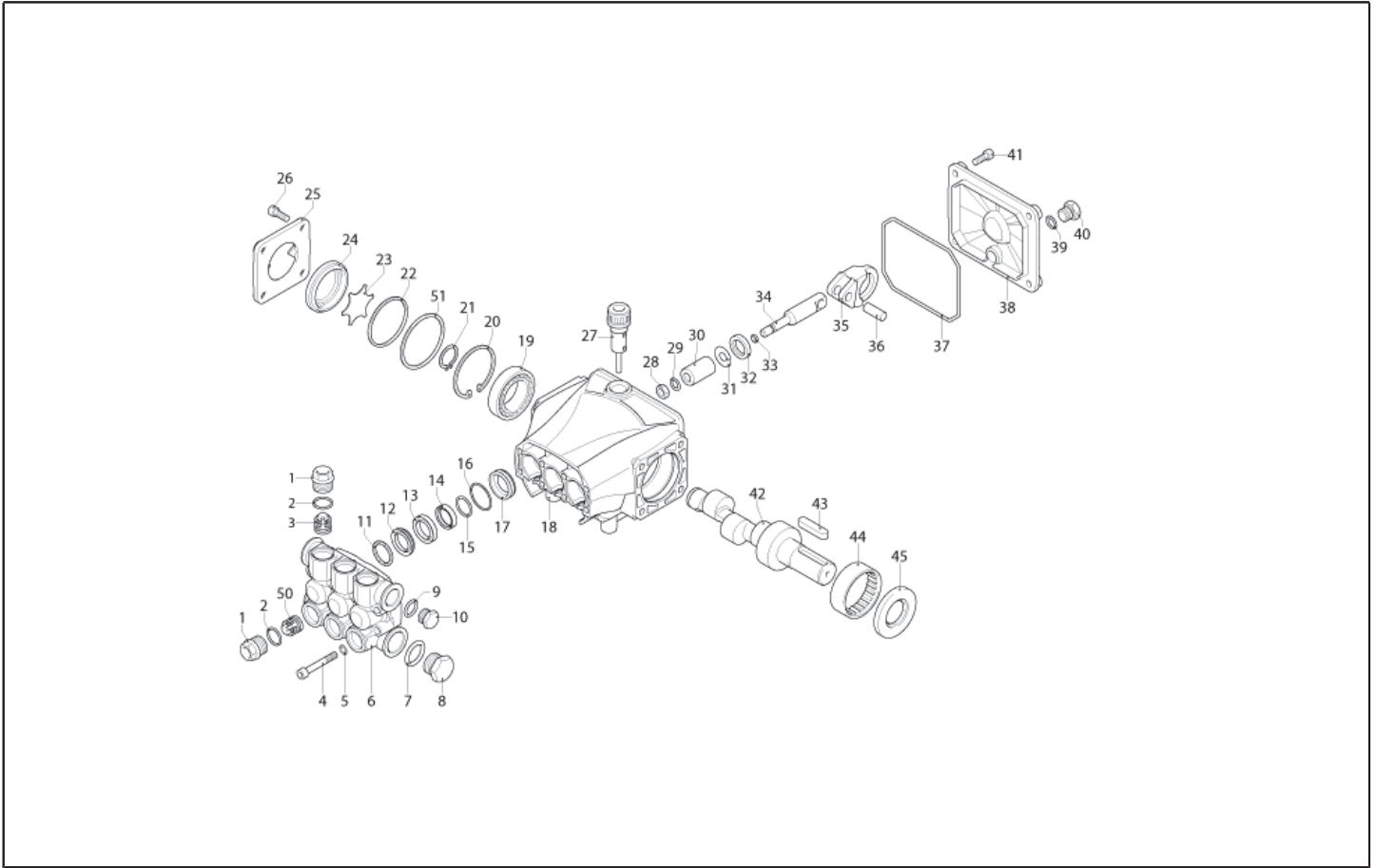




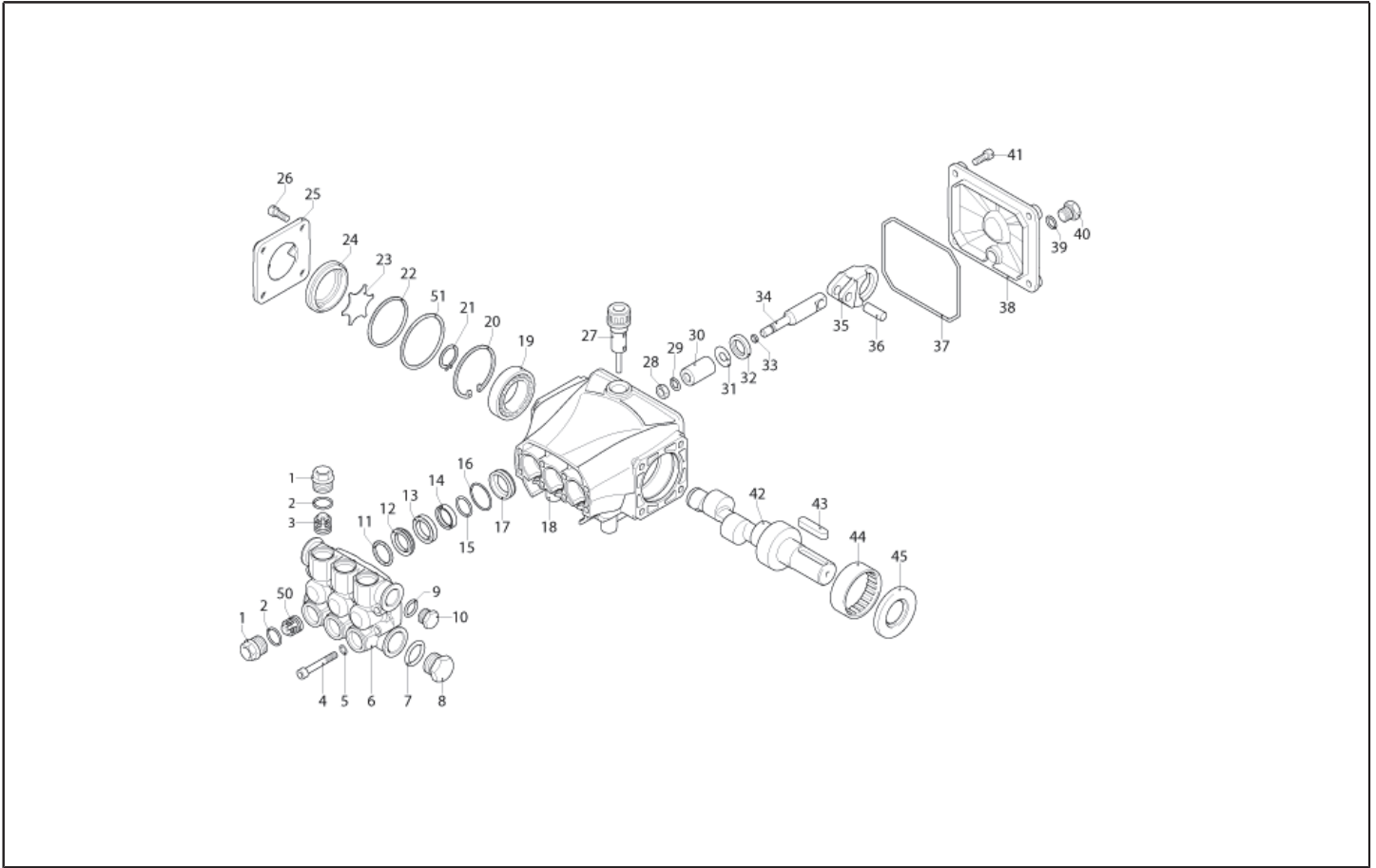
Ref. K	Part N.	Part N. 2	Description	Quantity	Validity		Price
					From	To	
K	METT40010	N/A	CONTACTOR SIE 3RT 2017-1AB01 24V	1,00			--
C2	MECO88053	N/A	CAPACITOR 70 MF 550V C. 50 D.65X115	1,00			--
EV	MEBE43704	N/A	COIL DNF 24-50	1,00			--
G1	MECI40006	N/A	SENSOR LEVEL S1.PML.XD.FPJ FST.	1,00			--
G2	MECI34444	N/A	SWITCH REED N.C.H185 L=1300	1,00			--
IG	MECI40017	N/A	COMMUTAT.SWITCH 0-1-2 UN.	1,00			--
TA	METR88630	N/A	TRANSFORMER 23/240V-5/60HZ 2X26KV TR.	1,00			--
TR	METR40020	N/A	TRANSFORMER 25VA 240-415/24 5/60HZ PM	1,00			--
TS	METK34839	N/A	THERMOSTAT 60°C TR/711-N C.1.5	1,00			--
CV1	MECB10518	N/A	CABLE H07 RNF 4X1.5 L=6.500	1,00			--
CV1	MEVR40212	N/A	PLUG PDL 20A 3P+T 500 V.S.56PA	1,00			--
EC1	MECE40044	N/A	PCB PW-H5 T-SI/MP V.PL.+CO-2P	1,00			--
EC2	MECE40041	N/A	PCB LED PW 4/5 GR. FLT.	1,00			--
NTC	MEVR40150	N/A	PROBE NTC/150 IP65 C.1000	1,00			--
POT S	MEVR40149	N/A	POTENTIOMETER VSH P11S1V0FLSY 5/10K LN.	1,00			--
P1,2	MEPF40035	N/A	PRESSURE SWITCH PR 5 1/8M 40BAR	2,00			--



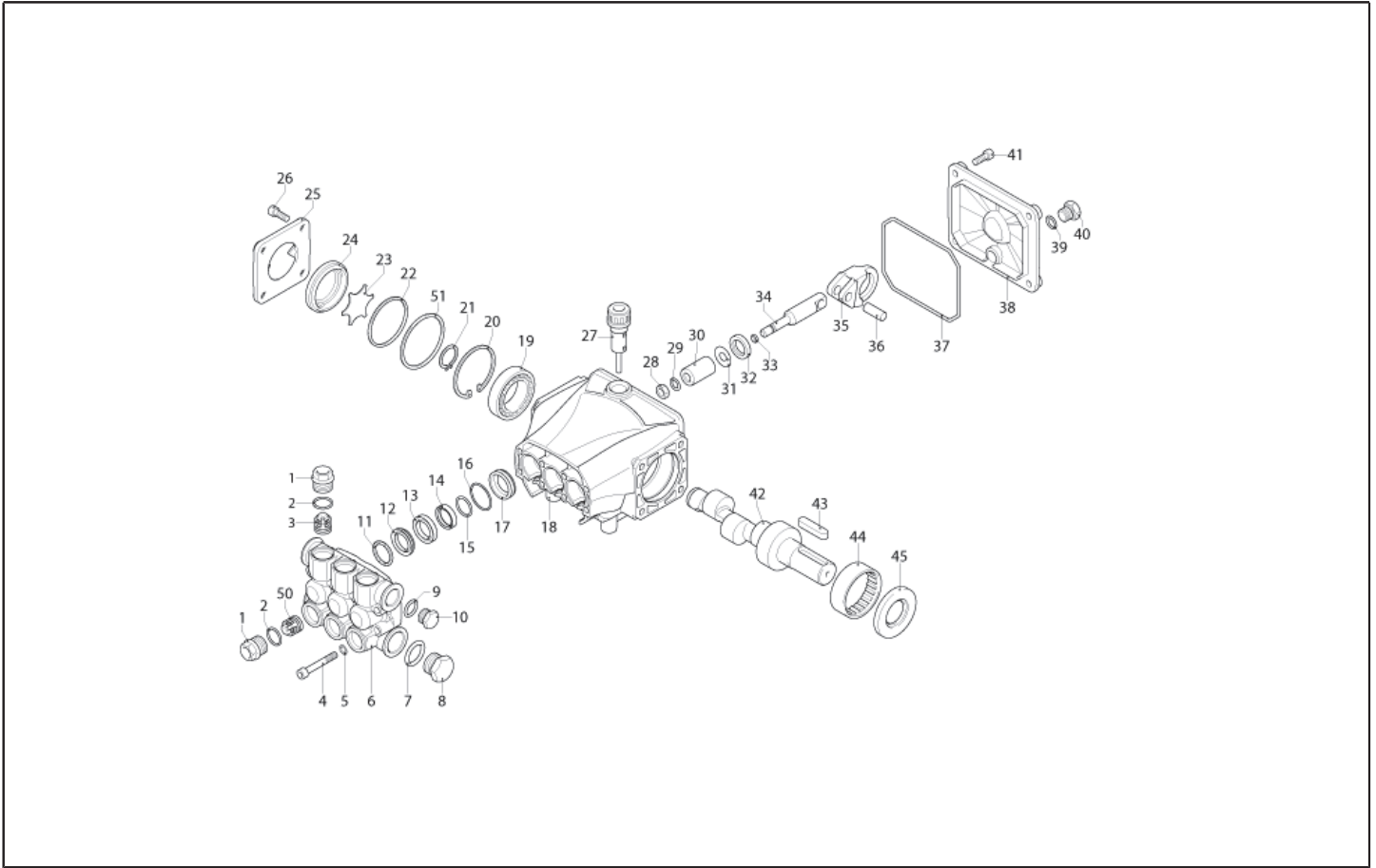
Ref. Part N.	Cust. Part N.	Description	Reference	Price
POT KTRI40415	KIT P 20- 4 POT. VSH P11 PW-H		POT 0017 0018 0046 0046 0047 0048	--



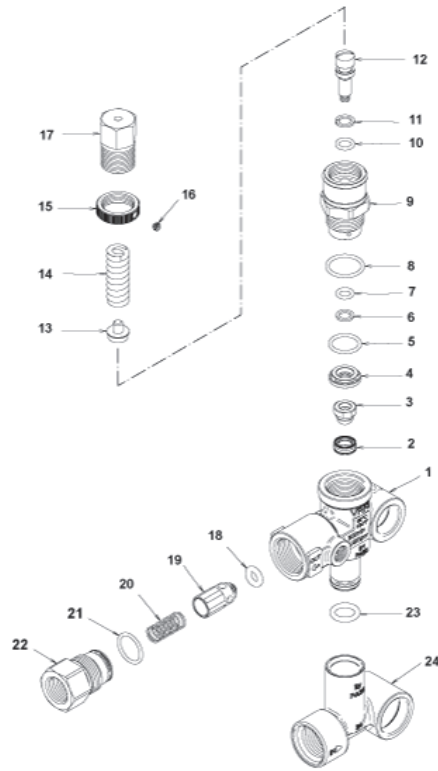
Ref. K	Part N.	Part N. 2	Description	Quantity	Validity		Price
					From	To	
0001	PVVR40120	N/A	CAP AR RC	6,00			--
0002	GUGO03505	N/A	O-RING D. 15.6 X 1.78 NBR 70SH	6,00			--
0003	S VVAM40002	N/A	VALVE UNIT RC	6,00		31/07/2012	--
0003	S VVAM40002	N/A	VALVE UNIT RC	3,00	01/08/2012		--
0004	VTVT06236	N/A	SCREW TCCE UNI 5931 6X40 ZB	8,00			--
0005	VTRS01077	N/A	WASHER D. 6.4X10X0,7	8,00			--
0006	MFVR40019	N/A	HEAD AR RC OT.	1,00			--
0007	GUGO19245	N/A	O-RING D. 17.5 X 2 NBR 70SH	1,00			--
0008	PVVR40121	N/A	CAP 1/2 M RC	1,00			--
0009	GUGO09720	N/A	O-RING D. 14 X 1.78 NBR 70SH	1,00			--
0010	PVVR40099	N/A	CAP 3/8 M HRM	1,00			--
0011	S PVVR40122	N/A	HEAD RING D. 18 RC	3,00			--
0012	S GUVR40035	N/A	PACKING D. 18 RC H.P.	3,00			--
0013	PVVR40123	N/A	INTERMED. RING D. 18 RC	3,00			--
0014	S GUVR40036	N/A	PACKING D. 18 RC L.P.	3,00			--
0015	S GUVR40037	N/A	ANTI-EXTR.RING D.21	3,00			--
0016	S GUGO19290	N/A	O-RING D. 23.52 X 1.78 NBR 70SH	3,00		31/03/2014	--
0016	S GUGO08182	N/A	O-RING D. 21.91 X 1.78 NBR 70SH	3,00	01/04/2014		--
0017	PVVR40124	N/A	PACKING RETAIN. D. 18 RC	3,00			--
0018	MFVR40020	N/A	PUMP CRANKCASE AR RC	1,00		31/03/2014	--
0018	MFVR40027	N/A	PUMP CRANKCASE AR RCS	1,00	01/04/2014		--
0019	CUVR28336	N/A	BALL BEARING 6304	1,00			--
0020	VTAE09661	N/A	CIRCLIP D. 52 UNI 7437	1,00			--
0021	VTAE06193	N/A	CIRCLIP D. 20 UNI 7435	1,00			--
0022	GUGO02561	N/A	O-RING D. 47.3 X 2.62 NBR 70SH	1,00			--
0023	PVVR40125	N/A	DISC RC	1,00			--
0024	PVVR40126	N/A	OIL INDICATOR RC	1,00			--
0025	MFVR40021	N/A	CRANKASE COVER AR RC LT.	1,00			--
0026	VTVT01531	N/A	SCREW TE 6X 16 UNI 5739	4,00			--
0027	PVVR19231	N/A	OIL CAP XTS	1,00		31/03/2014	--
0027	PVVR40436	N/A	OIL CAP RC	1,00	01/04/2014		--
0028	VTDD00483	N/A	NUT M 8 ZIN UNI 5588	3,00			--
0029	VTRS19394	N/A	WASHER D. 8X13X0,5	3,00			--
0030	S PIVR40005	N/A	PISTON D.18X30 RC	3,00			--
0031	PVVR19233	N/A	DISC XTS	3,00			--
0032	S GUGO09690	N/A	OIL SEAL 15X 24X 5 NBR70	3,00			--
0033	GUGO08071	N/A	O-RING D. 4.48 X 1.78 NBR 70SH	3,00			--
0034	PVVR40127	N/A	PISTON GUIDE RC	3,00			--
0035	BLVR40001	N/A	CONNECTING ROD RC	3,00			--
0036	PVVR40128	N/A	GUDGEON D. 9X23 RC	3,00			--
0037	GUGO18695	N/A	O-RING D. 101.27 X 2.62 NBR 70SH	1,00			--
0038	MFVR40022	N/A	CRANKASE COVER AR RC	1,00			--
0039	GUGO10336	N/A	O-RING D. 10.82 X 1.78 NBR 70SH	1,00			--
0040	PVVR40129	N/A	CAP 1/4 M RC	1,00			--



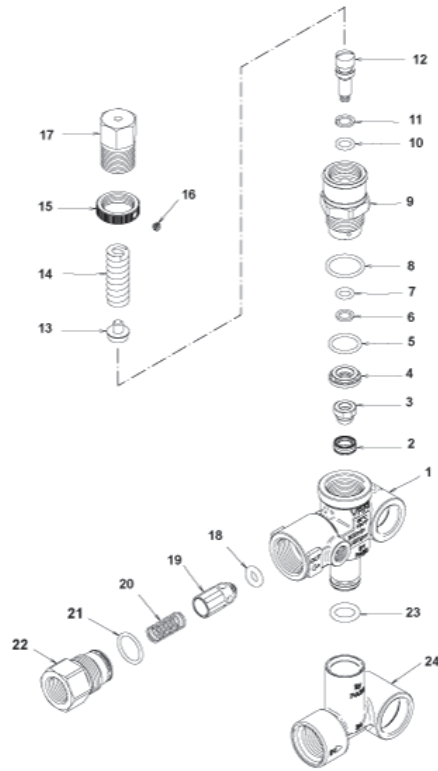
Ref. K	Part N.	Part N. 2	Description	Quantity	Validity		Price
					From	To	
0041	VTVT09913	N/A	SCREW TCEI 6X16 UNI5931	4,00			--
0042	ALMO40006	N/A	SHAFT AR RC 14LT VRS. N	1,00			--
0043	VTVR41531	N/A	KEY 8X 7X35 UNI 6604A	1,00			--
0044	CUVR23636	N/A	ROLLER BEARING HK 4516	1,00			--
0045	S GUGO00999	N/A	OIL SEAL 25X 52X 7 NBR70	1,00			--
0050	S VVAM40007	N/A	VALVE UNIT RC ASP. BK	3,00	01/08/2012		--
0051	PVVR40437	N/A	RING D. 51.8 X0.5	1,00	01/04/2014		--



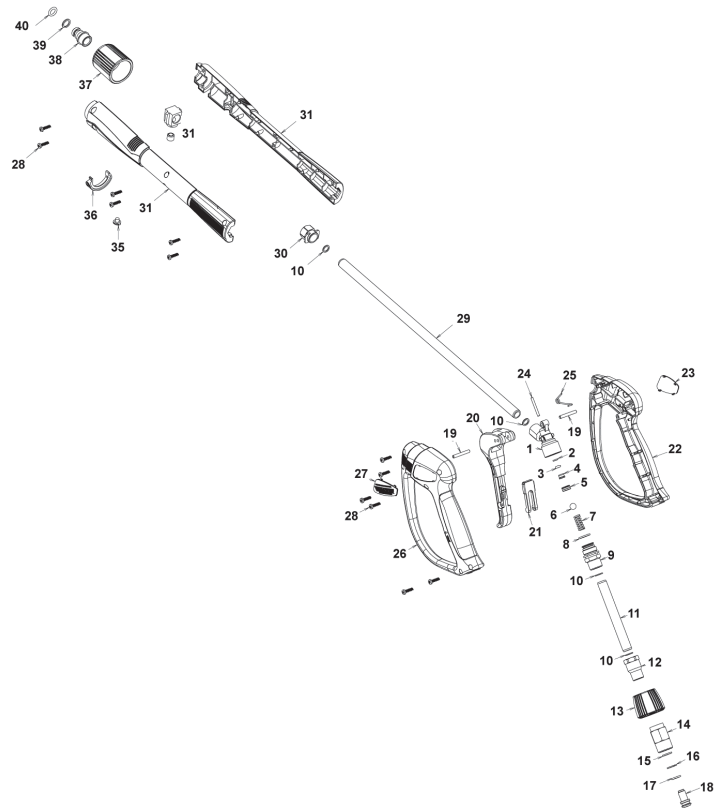
Ref. Part N.	Cust. Part N.	Description	Reference	Price
KTRI40092		KIT P 15-2186 RC	0003	--
KTRI40093		KIT P 15-42917 RC	0030	--
KTRI40094		KIT P 15-42919 D.18 RC	0012 0014 0015 0016	--
KTRI40095		KIT P 15-42903 D.18 RC	0011	--
KTRI40096		KIT P 15-42918 RC	0032 0045	--
KTRI40207		KIT P 15-42914 RC 3+3 BL./WH.	0003 0050	--



Ref. K	Part N.	Part N. 2	Description	Quantity	Validity		Price
					From	To	
0001	PVVR40375	N/A	VALVE BODY VRF2 +G1/8 F	1,00			--
0002	S PVVR40363	N/A	VALVE SEAT MV124 +OR	1,00			--
0003	S PVVR40364	N/A	COUPLING MV124	1,00			--
0004	S PVVR40365	N/A	SPACER MV124	1,00			--
0005	S GUGO12322	N/A	O-RING D. 14 X 1.78 NBR 90SH	1,00			--
0006	S GUVR40072	N/A	ANTI-EXTR.RING D. 6.5X 9.4	1,00			--
0007	S GUGO83861	N/A	O-RING D. 6.07 X 1.78 NBR 90SH	1,00			--
0008	S GUGO24913	N/A	O-RING D. 17.17 X 1.78 NBR 90SH	1,00			--
0009	S PVVR40366	N/A	CONNECTOR VRF2 D.10	1,00			--
0010	S GUGO03500	N/A	O-RING D. 6.75 X 1.78 NBR 70SH	1,00			--
0011	S GUVR40073	N/A	ANTI-EXTR.RING D. 7.1X10 X1.2 TBT	1,00			--
0012	S PVVR40367	N/A	SMALL PISTON D.10 VRF2	1,00			--
0013	PVVR40368	N/A	SPRING PLATE MV124 25B	1,00			--
0014	MLML40027	N/A	SPRING D. 3.0/6.0 X38.85	1,00			--
0015	PVVR40369	N/A	RING NUT MV167.09	1,00			--
0016	VTVT89696	N/A	SCREW EI-ST 4X 4 UNI5927 ZC	1,00			--
0017	PVVR40370	N/A	CAP VRF2 M18X1	1,00			--
0018	S GUGO46053	N/A	O-RING D. 6 X 3 NBR 90SH	1,00			--
0019	S PVVR40349	N/A	COUPLING VRT3	1,00			--
0020	S MLML40026	N/A	SPRING VRT3	1,00			--
0021	GUGO12321	N/A	O-RING D. 15.6 X 1.78 NBR 90SH	1,00			--
0022	PVVR40350	N/A	CONNECTOR VRT3 G 3/8F	1,00			--
0023	GUGO11225	N/A	O-RING D. 10.78 X 2.62 NBR 70SH	1,00			--
0024	PVVR40373	N/A	CONNECTOR VRF2.24	1,00			--

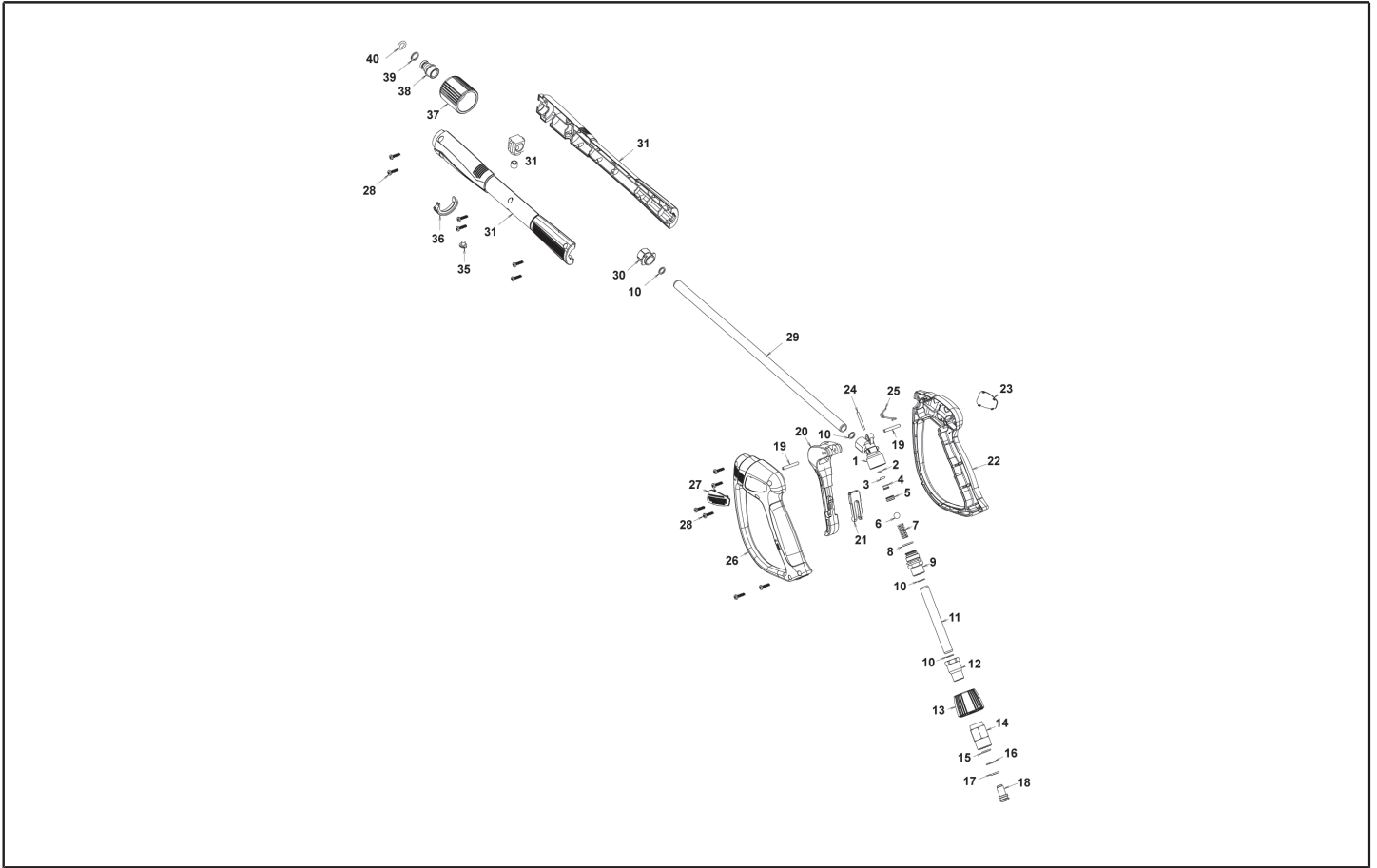


Ref. Part N.	Cust. Part N.	Description	Reference	Price
KTRI40236		KIT P 14-103 VRF2	0002 0003 0004 0005 0006 0007 0008 0009 0010 0011 0012 0018 0019 0020 0021	--
KTRI40237		KIT P 14-104 SEAL VRF2	0002 0003 0005 0006 0007 0008 0010 0011 0018 0021	--



Ref. K	Part N.	Part N. 2	Description	Quantity	Validity		Price
					From	To	
0001	PVVR40381	N/A	GUN BODY G 5100 G1/4F	1,00			--
0002	S GUVR40074	N/A	ANTI-EXTR.RING D. 3 X 7.4X1.3	1,00			--
0003	S GUGO21835	N/A	O-RING D. 2.84 X 2.62 VIT. 80SH	1,00			--
0004	PVVR40382	N/A	PISTON GUIDE G 5100	1,00			--
0005	S PVVR40563	N/A	BALL SEAT AL36 G6000 + OR	1,00			--
0006	S SFVR40004	N/A	BALL D. 5/16" ALL.GR16	1,00			--
0007	MLML40047	N/A	SPRING D. 9.4 x23.5x1.6 G6000	1,00			--
0008	GUGO12322	N/A	O-RING D. 14 X 1.78 NBR 90SH	1,00			--
0009	PVVR40383	N/A	CONNECTOR COLL.G5100 1/4F	1,00			--
0010	VTRS40017	N/A	WASHER D. 8,2X11,4X1,00	4,00			--
0011	PVVR40384	N/A	TUBE G 1/4" L.105	1,00			--
0012	RCIN40022	N/A	CONNECTOR SWIV G5100 1/4F	1,00			--
0013	MPVR40967	N/A	RING NUT G 6000 SW. GR.	1,00			--
0014	RCIN40021	N/A	JOINT SWIV 5100 M22	1,00			--
0015	S GUVR40075	N/A	ANTI-EXTR.RING D. 10 X14X1.5	1,00			--
0016	S GUVR40076	N/A	ANTI-EXTR.RING D. 11.2X14X1.2	1,00			--
0017	S GUGO15295	N/A	O-RING D. 10.82 X 1.78 VIT 75SH	1,00			--
0018	PVVR40386	N/A	SCREW SW. G 5100	1,00			--
0019	VTVR40047	N/A	PLUG D. 4X29	2,00			--
0020	MPVR40820	N/A	TRIGGER G 6000-SW	1,00			--
0021	MPVR40821	N/A	SAFETY-DEVICE G 6000-SW	1,00			--
0022	MPVR40822	N/A	SHELL G 6000-SW DX	1,00			--
0023	MPVR40968	N/A	PLATE G 6000/2 GR.DX	1,00			--
0024	PVVR40564	N/A	SMALL PISTON G 6000 AL36 SP.	1,00			--
0025	MLML40029	N/A	SPRING G 5100	1,00			--
0026	MPVR40824	N/A	SHELL G 6000-SW SX	1,00			--
0027	MPVR40825	N/A	PLATE G 6000 GR.SX	1,00			--
0028	VTVT40043	N/A	SCREW AF 4X 14 HILO ZN.N	12,00			--
0029	LCPR40086	N/A	TUBE 1/4 L=420 ZC. 0°	1,00			--
0030	MPVR40493	N/A	CONNECTOR G 5100-SW	1,00			--
0031	MPVR40494	N/A	PROTECTION P 420 C/AN.	1,00			--
0035	MPVR40198	N/A	CAP G 5000	1,00			--
0036	MPVR40495	N/A	CAP G 5100 REM.	1,00			--
0037	PVVR40119	N/A	CONNECTION M22X1,5 IRV G5000	1,00			--
0038	RCIN40009	N/A	GUDGEON G 1/4 F IRV G5000	1,00			--
0039	GUVR40034	N/A	ANTI-EXTR.RING D. 10 X14	1,00			--
0040	GUGO63555	N/A	O-RING D. 9,3 X 2,4 VIT 75SH	1,00			--





Ref. Part N.	Cust. Part N.	Description	Reference	Price
KTRI40243		KIT P 26- 26 SWIVEL G 5100	0015 0016 0017	--
KTRI40513		KIT P 26- 36 G 6000/II	0002 0003 0005 0006	--



# ***POWERBLAST***

Congratulations on your new POWERSHOT product.

We are proud to have you as our customer and will strive to provide you with the best service and reliability in the industry. This product is backed by our extensive service network. To locate your nearest distributor call 1800 812 223, or email us at [sales@powerblast.com.au](mailto:sales@powerblast.com.au).

