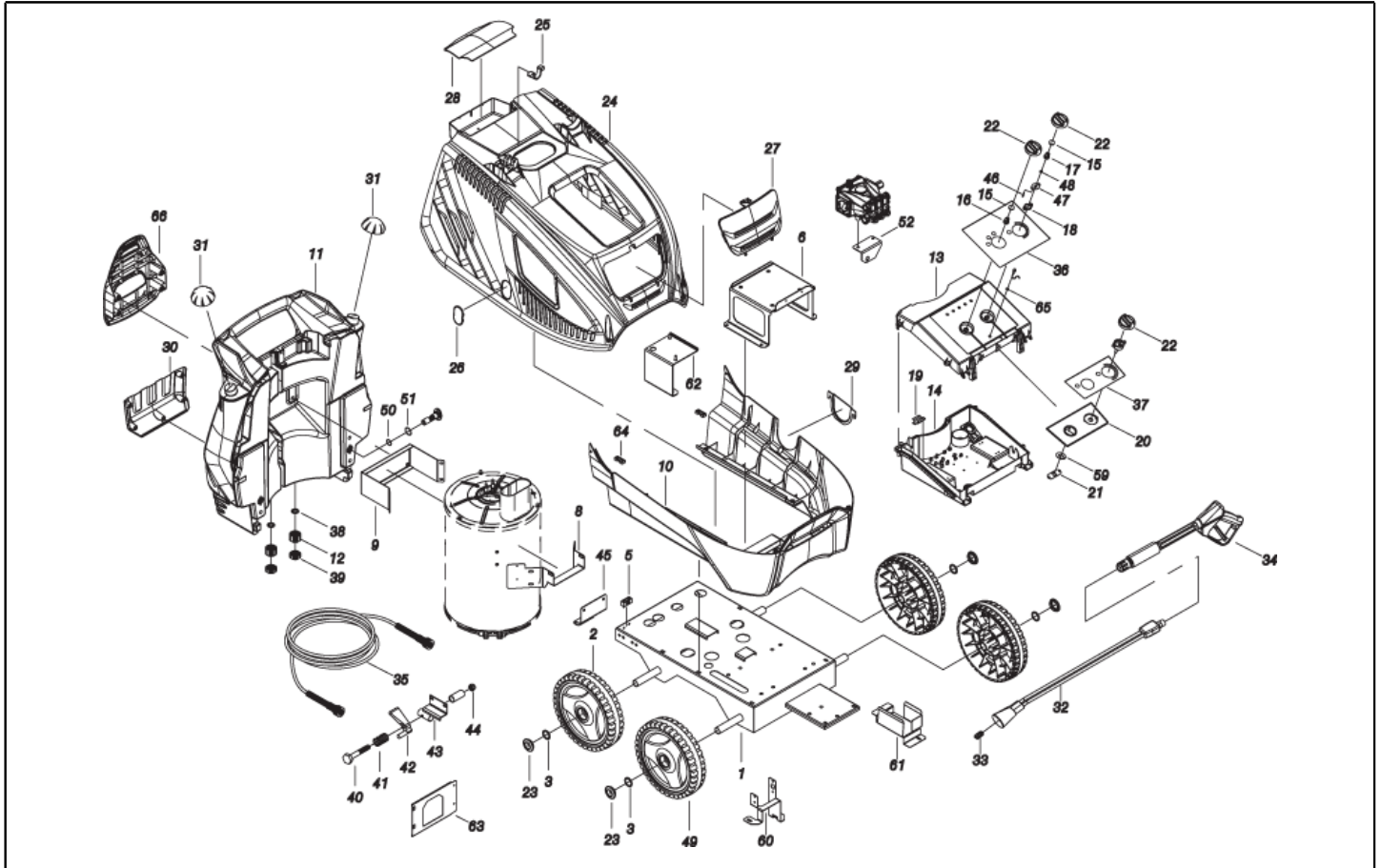

**POWER
SHOT**

HOTWASH
HW1211

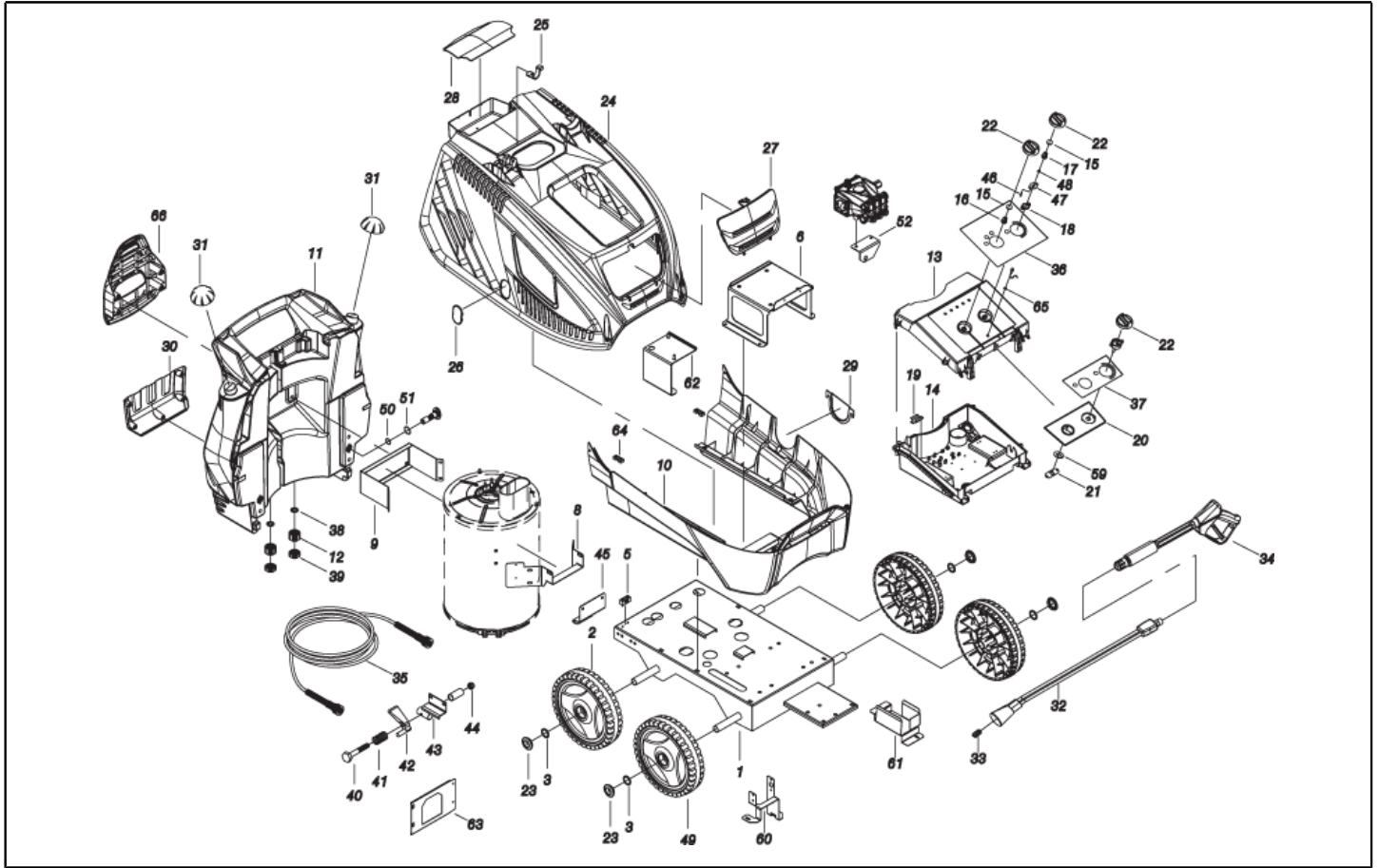
**HOT WATER
CLEANER**



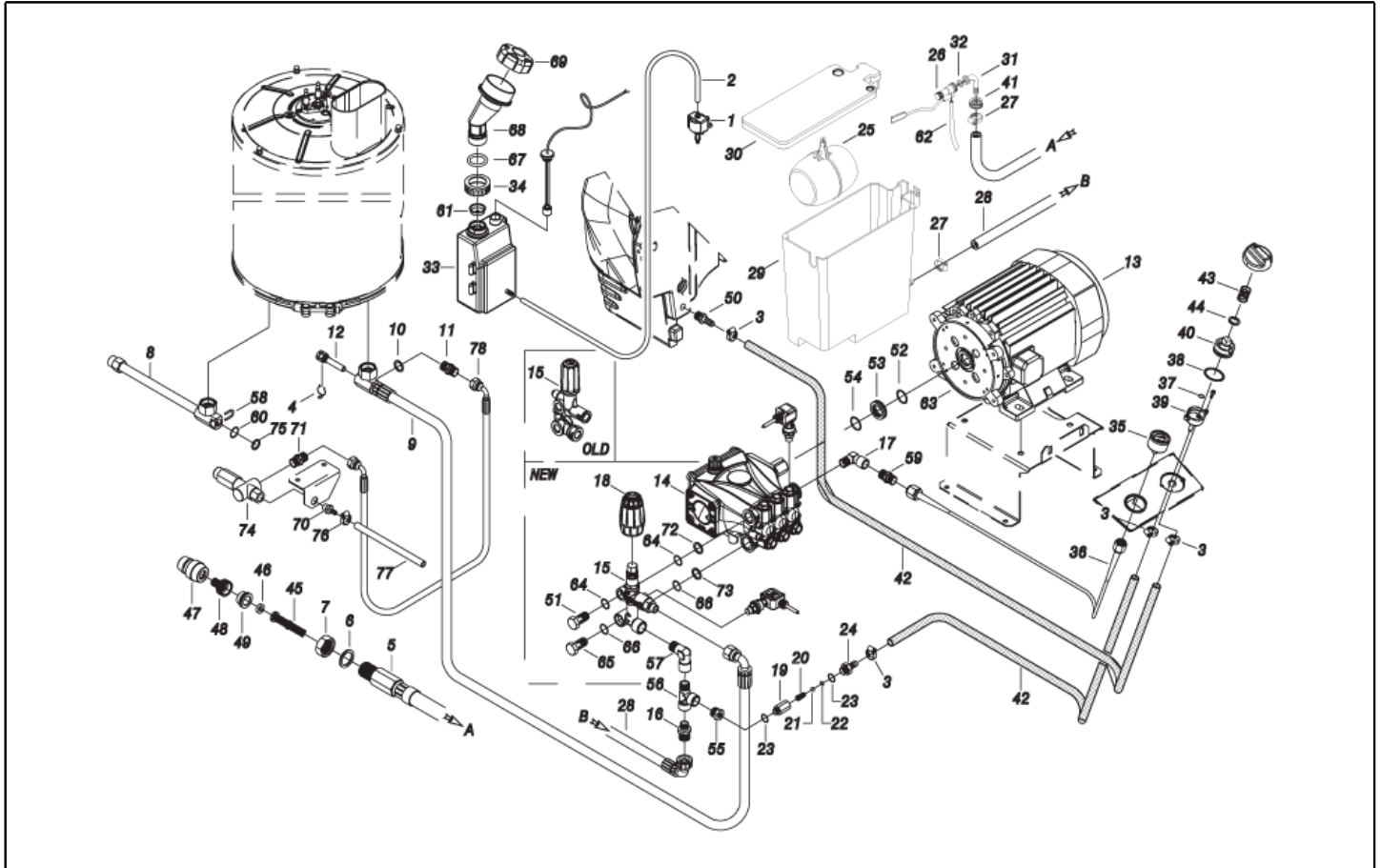
SPARE PARTS LIST



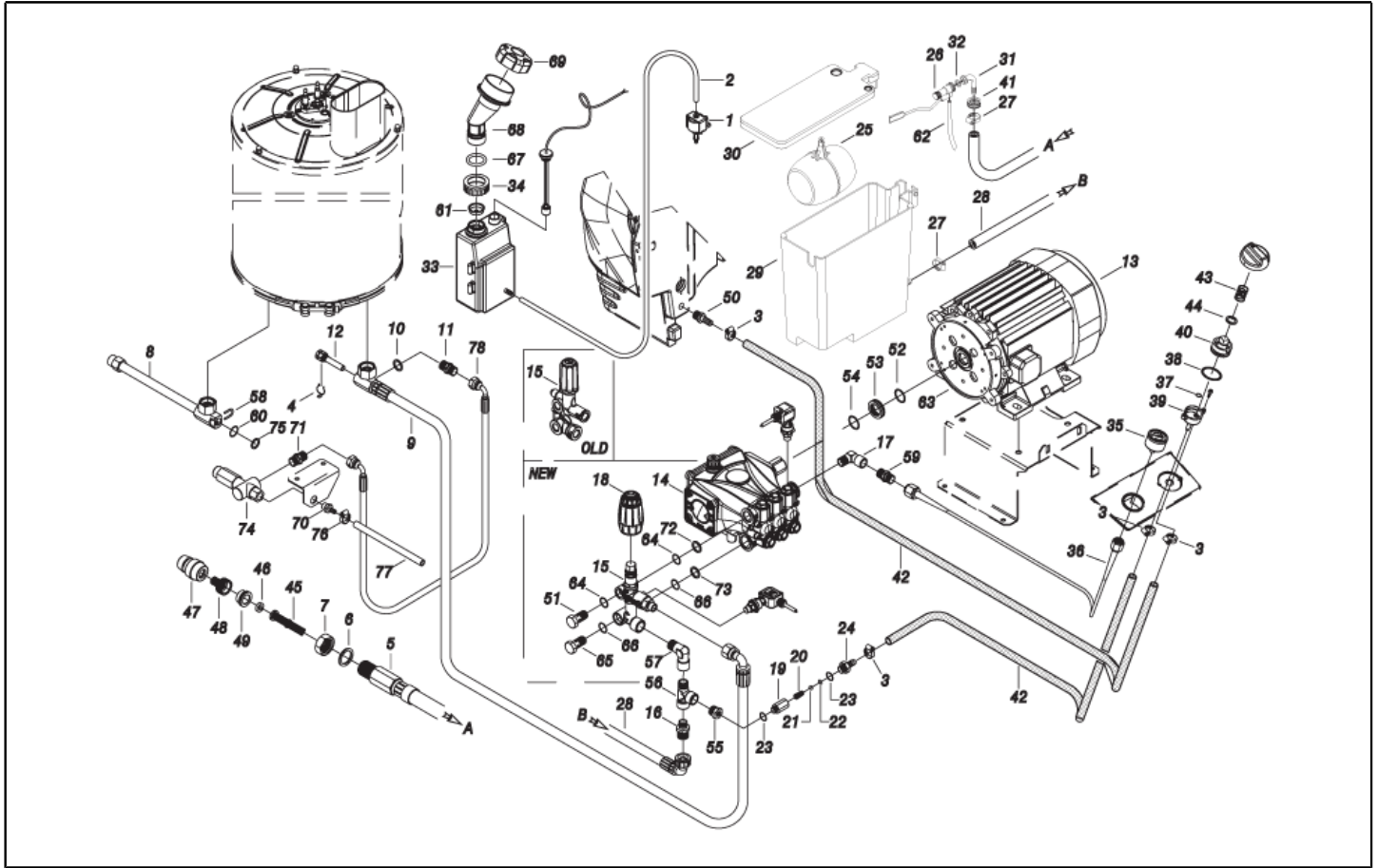
Ref. K	Part N.	Part N. 2	Description	Quantity	Validity		Price
					From	To	
0001	LAFN40761		CHASSIS PW-H50/7.5-4W BK.	1,00			--
0002	RTRT40042		WHEEL D.300-D.25 FLY-IPC	2,00			--
0003	VTRS09813		WASHER D.25	4,00			--
0005	MEVR20906		CABLE CLAMP KSM	1,00			--
0006	LAFN41030		MOTOR SUPPORT PW-H35 3.0Hp +MB ZC.	1,00			--
0008	LAFN40685		SUPPORT PW-H35/7.5 PS.ZC.	1,00			--
0009	LAFN40835		BRACKET PW-H35 PM.2 ZC	1,00			--
0010	MPVR40704		BLACK COVER PW-H35/7.5 INF.PP	1,00			--
0011	MPVR40791		TANK PW-H50 PI. PEHD BK.	1,00			--
0012	PVVR11806		DISCHARGE CAP FLL	2,00			--
0013	MPVR40540		BOX COVER PW-H35 ABS BK.	1,00			--
0014	MPVR40960		CONTROL BOX PW-H50/Cd.Est.Au ABS BK.	1,00			--
0015	GUGO25527		O-RING D. 14 X 3 NBR 70SH	2,00			--
0016	MPVR23482		SWITCH TANG TEC. TUV	1,00			--
0017	S MPVR40843		TAIL PIECE THERM.PW-H PL.	1,00	01/11/2016		--
0018	S MPVR41903		THICKNESS TERM.IM.PA66	1,00			--
0019	LAFN46067		SUPPORT L.60 P176	2,00			--
0020	MPVR40542		ANT. PANEL PW-H35 ABS BK.	1,00			--
0021	LAFN40561		JUNCTION BOARD PW-H35 ZC.	1,00		28/02/2017	--
0021	LAFN40922		JUNCTION BOARD PW-H35 D.14 ZC.	1,00	01/03/2017		--
0022	MPVR49057		BLACK KNOB P176-M.RACE PA6	3,00			--
0023	MPVR40782		HUB CAP D.50 G-48/IPC BK.	4,00			--
0024	VTVR40048		HANDWHEEL M 5MAX10 THP20	1,00			--
0024	FSVR62795		PLATE DI FISSAGGIO RPD0074	2,00			--
0024	MPVR40946		GREY COVER PW-H35 SUP.PP	1,00			--
0025	MPVR40485		RUBBER PW-H35 15-20BK.	1,00			--
0025	MPVR40534		PIN PW-H35 PP BK.	2,00			--
0026	MPVR40539		DOOR PW-H35 PPL NT.	1,00			--
0027	MPVR40660		DOOR PW-H35 PPL BK.	1,00			--
0028	MPVR40661		DOOR PW-H35 PPL BK. PST	1,00			--
0029	MPVR40532		DOOR PW-H35 PPL BK.INF.	1,00			--
0030	MPVR40533		TOOL HOLDER PW-H35 PP BK.	1,00			--
0031	MPVR40187		TANK CAP P215 PEHD C/F.	2,00			--
0032	LCPR40087		EXTENSION P 70 -P20.IX700 M22 M	1,00			--
0033	UGLN49987		NOZZLE LECH 1/4 15045	1,00			--
0034	IPPR40020		GRIP G 6000+P.330 +M22 SW.M V	1,00			--
0035	TBAP25324		H.P. HOSE R1 MT 10 5/16" C/2 IRV ZC	1,00			--
0036	ETET40835		LABEL PW-H50/7.5 GLX.EL.PLUS	1,00			--
0037	ETET40590		LABEL PW-H35.RUNNER IDR.	1,00			--
0038	GUGO11489		GASKET D.22X1,5	2,00			--
0039	MPVR20187		RING NUT M 39 X 3	2,00			--
0040	VTVT14480		SCREW TE M 8X80 ZINC. UNI	1,00			--
0041	MLML11917		SPRING D. 14.5 X24 X2.2	1,00			--
0042	MPVR40751		TRIGGER H28/4W	1,00			--



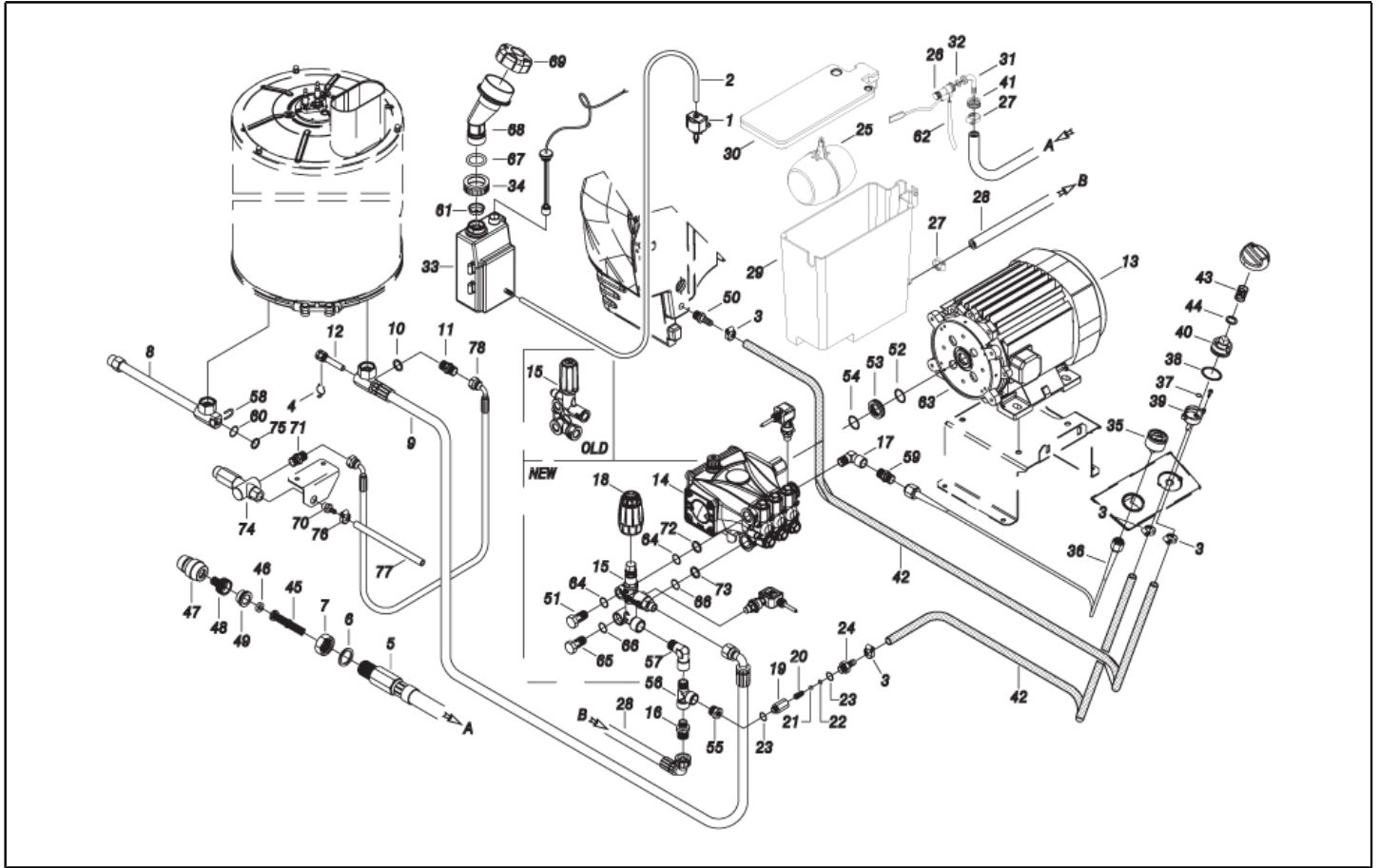
Ref. K	Part N.	Part N. 2	Description	Quantity	Validity		Price
					From	To	
0043	LAFN40762		BRACKET PW-H50/4W BK.	1,00			--
0044	VTDD00492		NUT M 8 ZINC	1,00			--
0045	LAFN40609		FOOT PW-H35/4W	1,00			--
0046	S VTVR40014		PIN CH. 7 X 10 M4M/M4F NIK.	2,00			--
0046	S VTDD04369		NUT M 4 TEF UNI 7473	2,00			--
0047	S LAFN40763		PLATE PW-H28 POT. IX	1,00			--
0048	S LAFN40916		BUSHING D. 6- 9 L= 8 BZ.SINT.	1,00	01/11/2016		--
0049	RTRT40041		WHEEL D.250-D.25X 65 RES BK.	2,00			--
0050	GUGO01056		O-RING D. 18.72 X 2.62 NBR 70SH	1,00			--
0051	GUGO01197		O-RING D. 22.22 X 2.62 NBR 70SH	1,00			--
0052	LAFN41029		VALVE BRACKET SIC. PW-H50 ZC	1,00			--
0059	LAFN40921		PLATE PW-H35 D.14 ZC.	1,00	01/03/2017		--
0060	LAFN40687		BRACKET PW-H35/7.5 ZC.	1,00			--
0061	LAFN40686		SUPPORT BRACKET PW-H35/7.5 ZC.	1,00			--
0062	LAFN40695		B.TANK BRACKET PW-H35/7.5 BK.	1,00			--
0063	LAFN40684		SUPPORT PW-H35/7.5 AN.ZC.	1,00			--
0064	MPVR28554		CABLE FASTNER ELT	1,00			--
0064	VTVT13234		SCREW TCB-TC 3.5X19 NIK	2,00			--
0066	MPVR40701		HOSE SUPPORT PW-H35 PP BK.	1,00			--



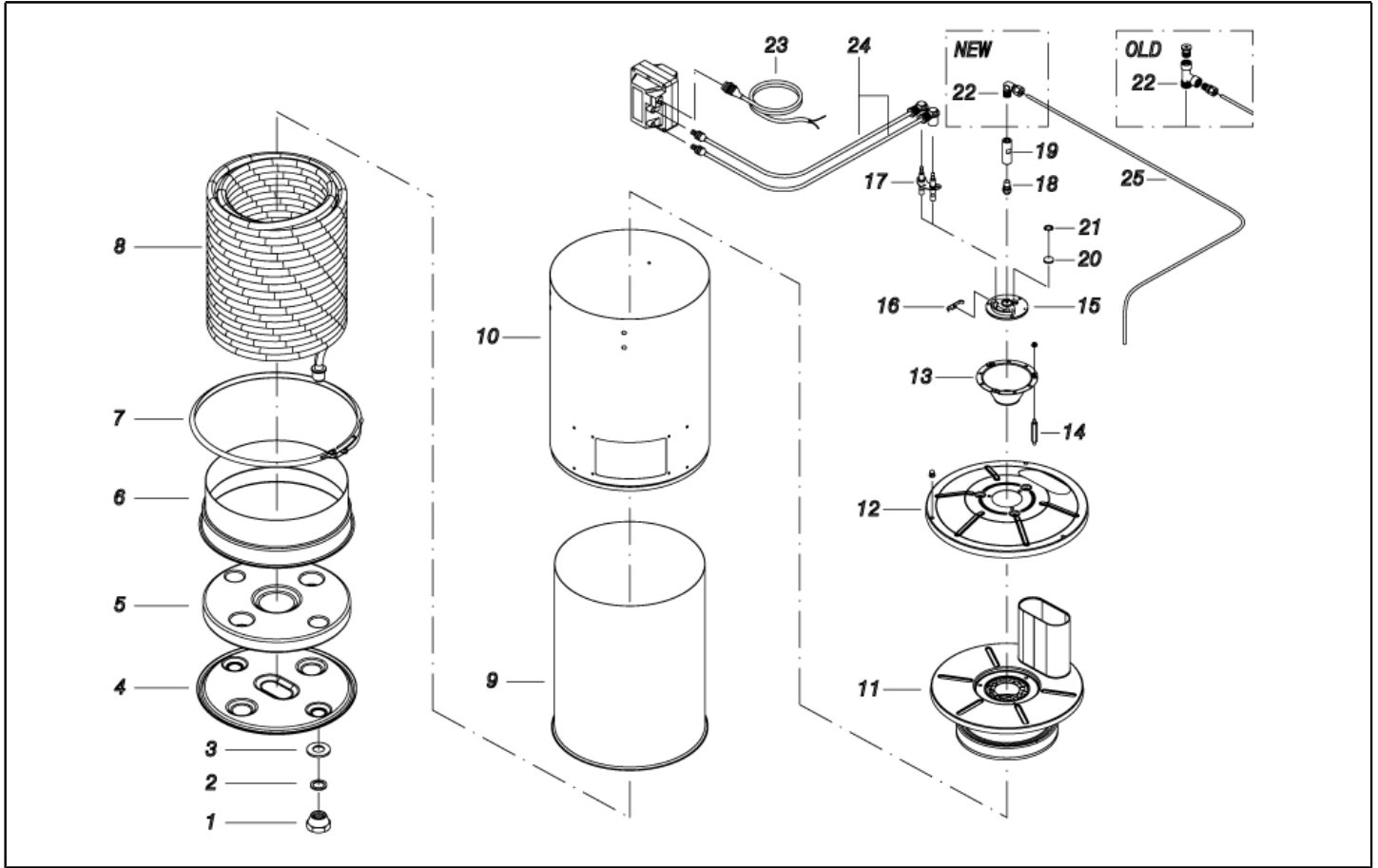
Ref. K	Part N.	Part N. 2	Description	Quantity	Validity		Price
					From	To	
0001	MEPD45940		DESCALING PUMP NME 1 24V 50/60HZ	1,00			--
0002	TBBP00058		L.P. HOSE D. 4- 7	0,90			--
0003	FSVR00427		CLAMP D. 12 CLIC 66-110	4,00			--
0004	MLML02623		SPRING IMT	1,00			--
0005	TBBP40082		L.P. HOSE L=1850 1/2M 0° -D.16X26	1,00			--
0006	RCDS49875		RING NUT 1/2"X 6 CH.27 OT.	1,00			--
0007	VTRS000549		WASHER D.21,5X27X1.5 (1/2) RM	1,00			--
0008 S	RCDS21118		CONNECTOR KSM	1,00			--
0008 S	RCDS21119		NUT KSM	1,00			--
0008 S	RCDS40164		CONNECTOR L=285 2X3/8M CN. ZC.	1,00			--
0008 S	RCIN03753		MALE COUPLING M22-3/8 M-FA	1,00			--
0008 S	RCDS40230		CONNECTOR G 3/8F -1/4 -P/NTC C.27	1,00			--
0009	TBAP40115		HOSE-FITTING 3/ 8 R1 L=685 3/8F90-PM26	1,00			--
0010	VTRS40960		WASHER D.13.5X19 X4 AL.	1,00			--
0011	RCDS00608		NIPPLE 3/8 - 1/4 SV	1,00			--
0012	RCDS00593		SUMP IM 0-120 L=50	1,00			--
0013	MOMO40072		1PH MOTOR HP 3 23/240-50 4P H100 2V	1,00			--
0014	PPAP40055		PUMP RC 12.17 DX N	1,00			--
0015	VVAZ40079		VALVE VRF-2 AR-R PPr S/I.	1,00			--
0016	RCDS46144		NIPPLE 3/4 - 1/2 CB D. 7.0	1,00			--
0017	RCVR72833		ELBOW 3/8"-1/4" M/F A.P.Cn OTT.	1,00			--
0018	PVVR40471		KNOB VRF-2 A.sf.	1,00			--
0019	RCDS46072		VALVE BODY N/R 1/4F-1/4 P176 OT	1,00			--
0020	MLML21505		SPRING D. 8 X5 X0.3	1,00			--
0021	SFVR04274		BALL D. 7/32	1,00			--
0022	GUGO01055		O-RING D. 5.28 X 1.78 VIT 70SH	1,00			--
0023	GUGO01036		O-RING D. 10.82 X 1.78 NBR 70SH	1,00			--
0024	RCDS10546		VALVE SEAT 1/4M + PG. D.3-7.5 OTT	1,00			--
0025	RCGR01387		PLASITC BALL D.104	1,00			--
0026	RCGR10358		TAP UG. D. 7	1,00			--
0027	FSVR00431		CLAMP D. 16-25	1,00			--
0028	TBBP40131		L.P. HOSE L= 980 3/4F90°-LIB.19X26	1,00			--
0029	MPVR22117		WATER TANK FUT PPL BK.	1,00			--
0030	MPVR40699		TANK COVER FUT PPL C/FR.BK.	1,00			--
0031	RCDS10357		HOSE FITTING FUT 90°	1,00			--
0033	MPVR40698		TANK KSM C/PE.	1,00			--
0034	MPVR40739		TANK CAP KSM D.36.2	1,00			--
0035	MNMM93800		PRESSURE GAUGE 1/8 POST. 0-300 D.40 S/ST	1,00			--
0036	TBAP40113		POLYAMIDE HOSE L=420 1/4F GR.-1/8F MN.	1,00			--
0037	GUGO08071		O-RING D. 4.48 X 1.78 NBR 70SH	1,00	01/01/2017		--
0038	GUGO12183		O-RING D. 23.4 X 3.53 VIT 70SH	1,00	01/01/2017		--
0039	RCGR08069		TAP BODY DET. PRT	1,00	01/01/2017		--
0040	RCGR08070		ADJUSTER PRT	1,00	01/01/2017		--
0041	RCDS10356		RING NUT FUT	1,00			--



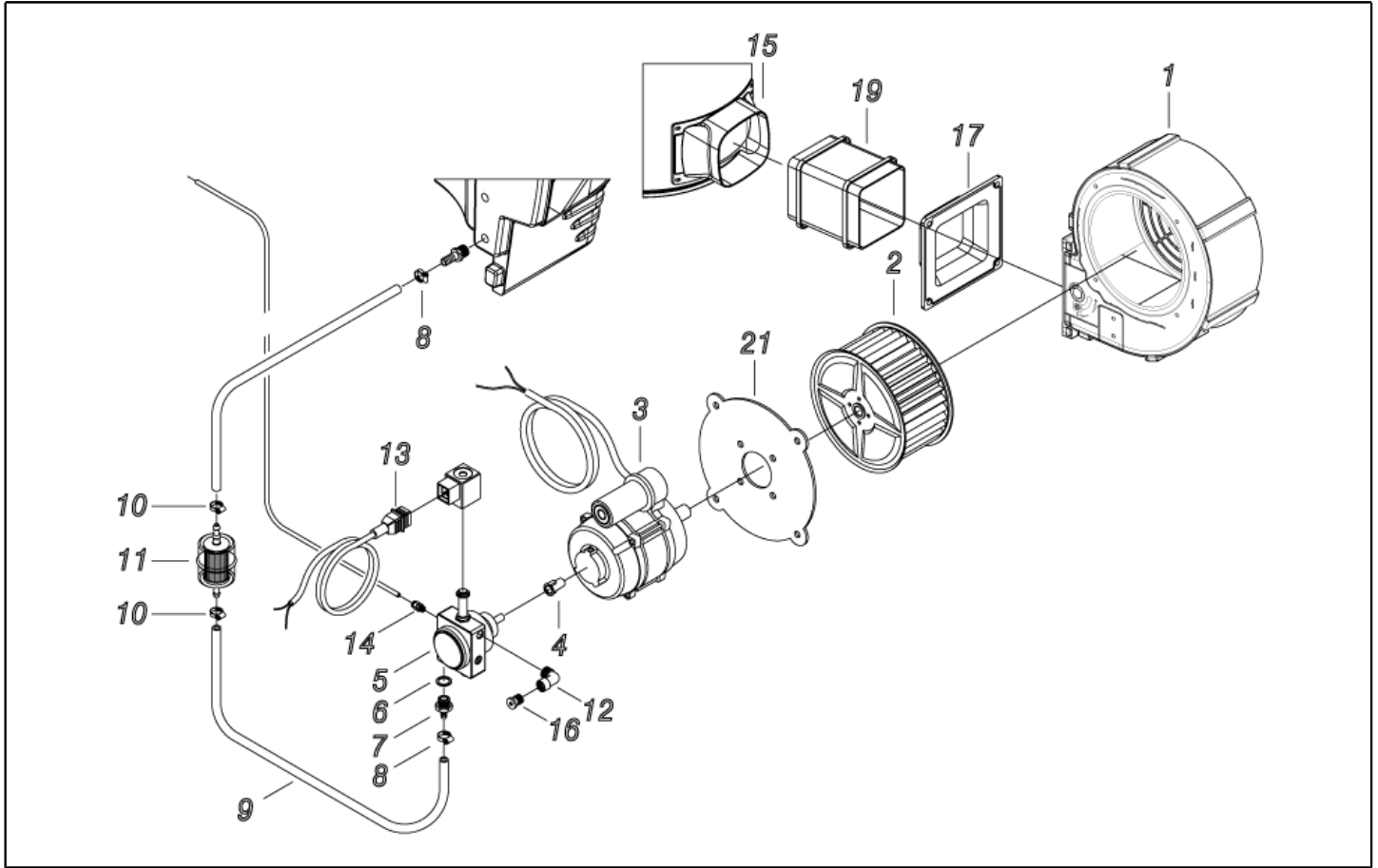
Ref. K	Part N.	Part N. 2	Description	Quantity	Validity		Price
					From	To	
0042	TBBP00051		DETERGENT HOSE D. 6-12	1,20	01/01/2017		--
0042	TBBP00051		DETERGENT HOSE D. 6-12	0,77	01/01/2017		--
0043	MLML08068		SPRING D.1,5 L.23	1,00			--
0044	VTRS00542		WASHER D.14X20	1,00			--
0045	FTAC30214		FILTER D.15X67	1,00			--
0046	GUGO37736		GASKET D. 10- 19 X 5 70SH	1,00			--
0047	RCVR29600		SOCKET PTC 3/4 F	1,00			--
0048	RCVR29602		CONNECTOR D. 1/2"-5/8" PTC	1,00			--
0049	RCVR37806		REDUCTION PTC 3/4-1/2 M/F	1,00			--
0050	RCVR40113		HOSE FITTING 1/8 M D. 5- 7 NIK	2,00			--
0051	RCDS40172		SCREW 3/8 VRF-2 OT 4F.	1,00			--
0052	GUGO21337		O-RING D. 25.07 X 2.62 VIT 70SH	1,00			--
0053	RCDS26231		BUSHING SIC 3HP	1,00			--
0054	GUGO36342		O-RING D. 34.6 X 2.62 VIT. 70SH	1,00			--
0055	RCVR02606		REDUCTION 1/2-1/4 M/F	1,00			--
0056	RCVR02580		TEE UNION 1/2 F/F/M	1,00			--
0057	RCVR00575		ELBOW 1/2" M/F A10	1,00			--
0058	LAFN40832		PLUG "U" SIST.NTC PW-H INX	1,00			--
0059	RCDS08963		NIPPLE 1/4 - 1/4 FUT	1,00			--
0060	S GUGO27030		O-RING D. 6 X 3 VIT 70SH	1,00			--
0061	MPVR18582		CAP D.22	1,00			--
0062	TBBP17436		L.P. HOSE D.12-14 RILSAN NT.	0,17			--
0063	MFVR21309		COUNTERFLANGE MEC 90-100-112	1,00			--
0064	GUGO03510		O-RING D. 12.37 X 2.62 NBR 70SH	2,00			--
0065	RCDS40171		SCREW G 1/2 VRF-2 OT. 2F.	1,00			--
0066	GUGO01048		O-RING D. 15.88 X 2.62 NBR 70SH	2,00			--
0067	GUGO89386		O-RING D. 30 X 5 NBR 70SH	1,00			--
0068	MPVR40700		MANIFOLD A.CLCL PW-H35 PP NT.	1,00			--
0069	MPVR40187		TANK CAP P215 PEHD C/F.	1,00			--
0070	RCDS03514		HOSE FITTING 3/8 M D. 5- 7	1,00			--
0071	RCDS12121		NIPPLE 3/8 - 3/8 SV/CN	1,00			--
0072	VTRS00548		WASHER D.17,5X23X1,5 (3/8)RM	1,00			--
0073	VTRS00549		WASHER D.21,5X27X1,5 (1/2) RM	1,00			--
0074	VVSC40005		VALVE MR 401 G3/8	1,00			--
0075	S GUVR40089		ANTI-EXTR.RING D. 6.6X11.9X1.5 PTFE	1,00			--
0076	FSVR40021		CLAMP D 7.8 - 8,3	1,00			--
0077	TBBP93804		L.P. HOSE D. 6- 9	1,30			--
0078	TBAP40223		HOSE-FITTING 1/ 4 R1 L=600 3/8F90°-90°	1,00			--



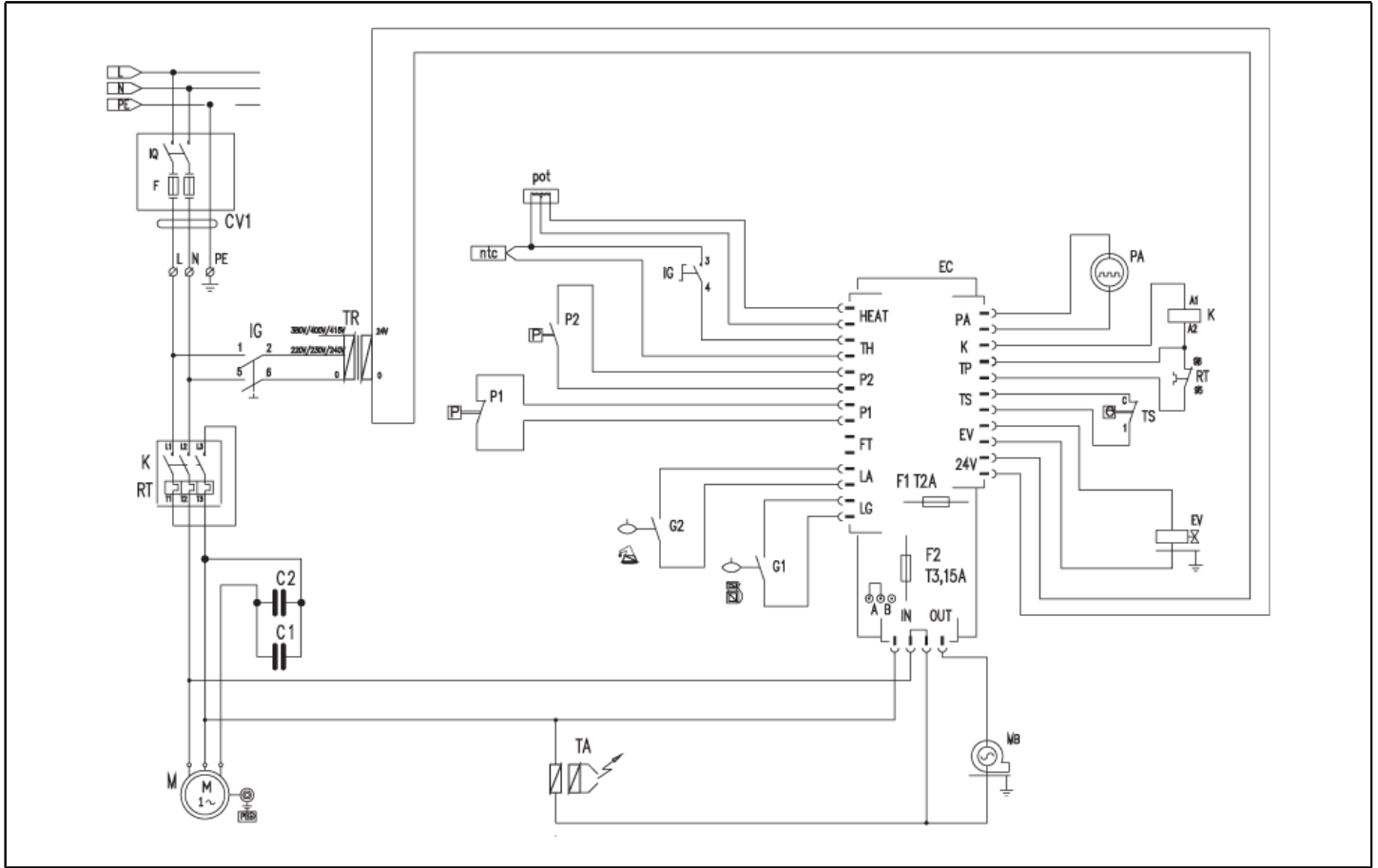
Ref. Part N.	Cust. Part N.	Description	Reference	Price
KTRI40386	KIT P 13- 14 PW-H50/PM NTC		0008 0008 0008 0008 0008 0060 0075	--



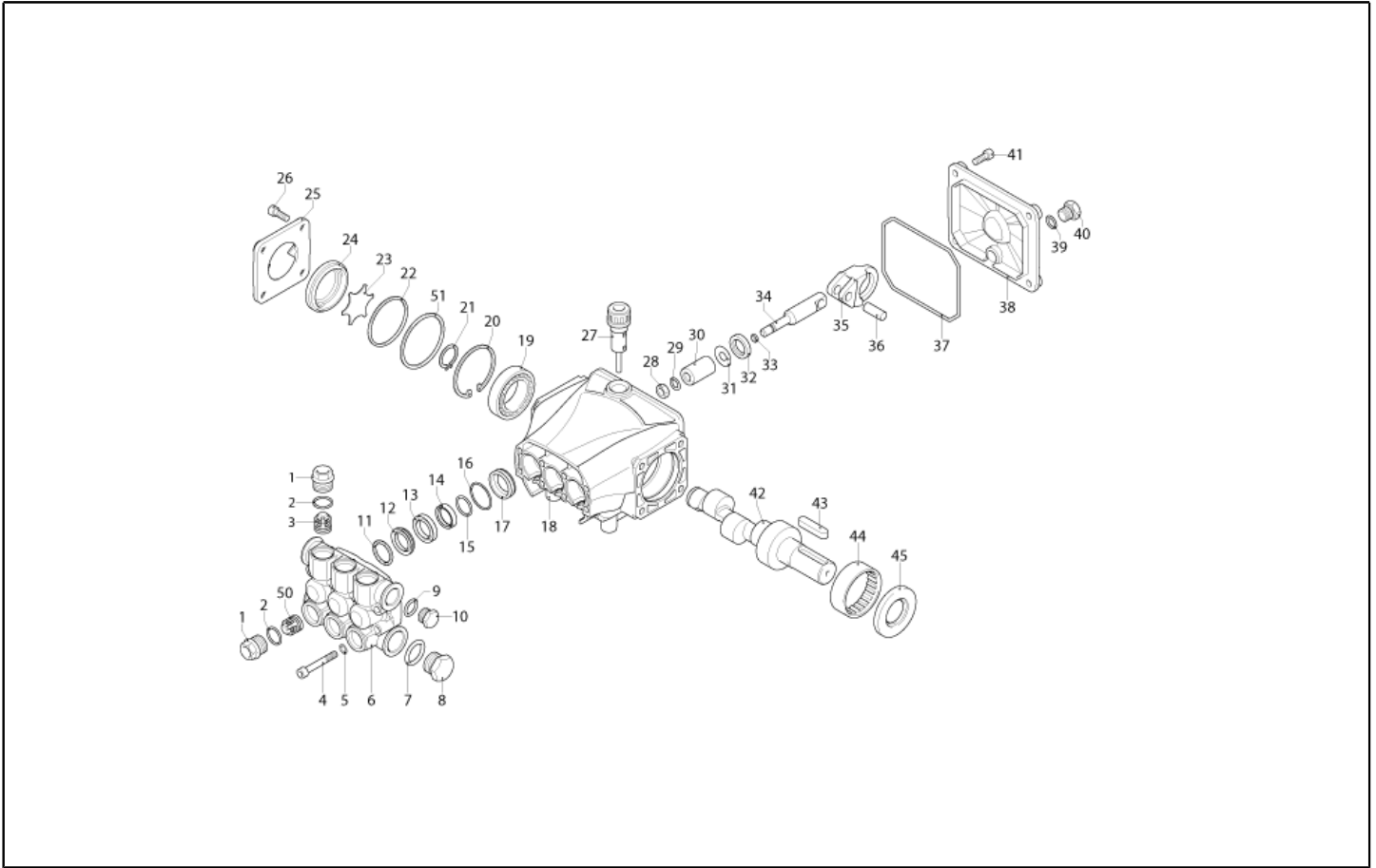
Ref. K	Part N.	Part N. 2	Description	Quantity	Validity		Price
					From	To	
0001	RCDS21120		RING NUT M 26 X 1,5	2,00			--
0002	GUGO21222		O-RING D. 15.54 X 2.62 VIT 80SH	2,00			--
0003	GUVR21021		ANTI-EXTR.RING D. 21 X17 TEF.	2,00			--
0004	LAFN44149		BOILER BOTTOM P176	1,00			--
0005	ITTE44175		BOTTOM P176 C.TE	1,00			--
0006	LAFN44151		BAND P176 INX	1,00			--
0007	LAFN40037		RING D.342 P176 ZN 2V.CPL.	1,00			--
0008	LAFN40891		DOUBLE COIL M26X1.5 P176 24MT I.304	1,00			--
0009	LASL40101		INT. CYLINDER PM INX	1,00			--
0010	LAFN40688		EXT. CYLINDER PM-H35/7.5 INX	1,00			--
0011	LAFN40269		BOILER COVER SI PM INX	1,00			--
0012	LAFN40270		BOILER COVER SE PM INX	1,00			--
0013	LAFN44244		BAFFLE P176 30M INX	1,00			--
0014	LAFN40271		PIN CH.10 X 67.7 M5M/M5M PM	3,00			--
0015	MFVR18226		ELECTR.HOLDER FUT 3°V	1,00			--
0016	LAFN07641		PLATE INX	1,00			--
0017	MECA12525		ELECTRODE FUT	1,00			--
0018	UGBR31754		BURNER NOZZLE 1.10 60 S	1,00			--
0019	RCDS07642		NOZZLE HOLDER FUT	1,00			--
0020	MPVR18228		OIL WARN-LIGHT D.17 X3	1,00			--
0021	VTAE22633		SEEGER 0.4 X18,30X10,5	1,00			--
0022	RCVR08954		ELBOW 1/8"-4 B5	1,00			--
0023	MECB34463		CABLE BT L=800 SP. FD	1,00			--
0024	MECV35335		CABLE A.T. 9.8-23KOHM/M L= 500P	2,00			--
0025	TBCO40075		DIESEL HOSE PW-H35/3-MB D. 4 IX	1,00			--



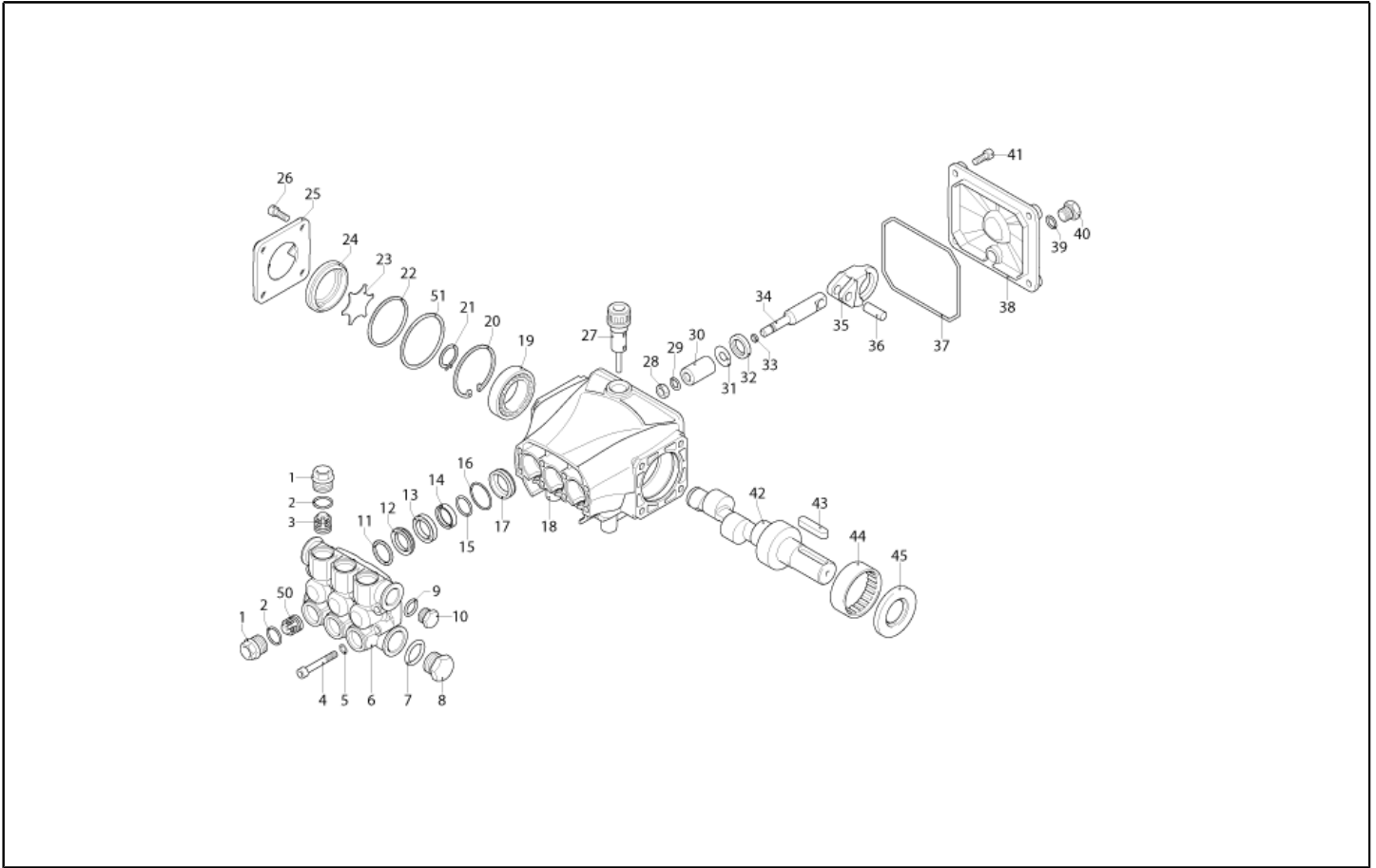
Ref. K	Part N.	Part N. 2	Description	Quantity	Validity		Price
					From	To	
0001	MPVR40665		SCROLL CB4 -2PZ.GR.	1,00	06/11/2015		--
0002	VEVR34275		IMPELLER D.160-80 D.12.7 36P B.SX	1,00			--
0003	MOMB34119		BURNER MOTOR 230-50 IP44 150W A.OR	1,00			--
0004	FGGT36513		JOINT HP 0.25 AACO	1,00			--
0005	PPGS40010		FUEL PUMP DNF BFA 01L3R1	1,00			--
0006	VTRS04931		WASHER COPPER D.13X19X1.5	1,00			--
0007	RCDS00626		HOSE FITTING 1/4 M D. 5- 7	1,00			--
0008	FSVR00427		CLAMP D. 12 CLIC 66-110	2,00	01/01/2017		--
0009	TBCO06945		L.P. HOSE D. 6-12 10BAR C.PRESS	0,70			--
0009	TBCO06945		L.P. HOSE D. 6-12 10BAR C.PRESS	0,43			--
0010	FSVR11197		CLAMP D.12.9-13.6	2,00			--
0011	FTCO10912		FILTER FB 13/T NYL.	1,00			--
0013	MECB46130		CABLE DLT L=1100	1,00			--
0014	RCVR14014		BI-CONE CONNEC. DTT 1/8" M B1 D. 2/ 4 NIK	1,00			--
0015	MPVR88426		CONVEYOR P176 PA6 BK.	1,00			--
0017	MPVR40014		CONVEYOR CB4-FBX PA6	1,00			--
0019	GUVR40009		SLEEVE SLV H=130	1,00			--
0019	FSVR01873		CLAMP LG 31920 9 X500	2,00			--
0021	LAFN10272		MOTOR PLATE CB 3	1,00			--



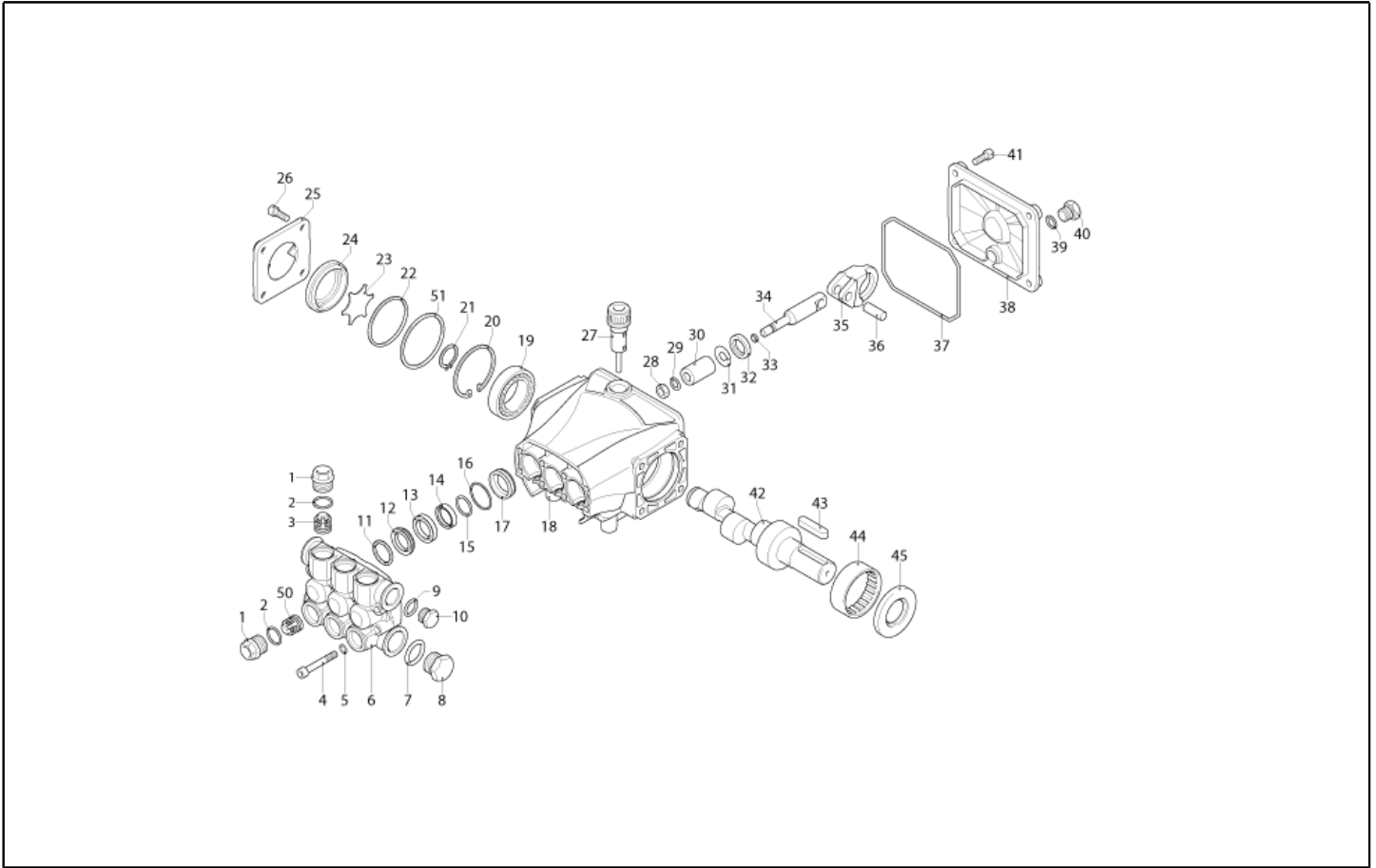
Ref. K	Part N.	Part N. 2	Description	Quantity	Validity		Price
					From	To	
K	METT40014		CONTACTOR SIE 3RT 2018-1AB01 24V	1,00			--
C1	MECO35681		CONDENSER 40 MF 240V DR 240	1,00			--
C2	MECO88053		CAPACITOR 70 MF 550V C. 50 D.65X115	1,00			--
EV	MEBE43704		COIL DNF 24-50	1,00			--
G1	MECI40006		SENSOR LEVEL S1.PML.XD.FPJ FST.	1,00			--
G2	MECI34444		SWITCH REED N.C.H185 L=1300	1,00			--
IG	MECI40017		COMMUTAT.SWITCH 0-1-2 UN.	1,00			--
RT	METT40035		THERMAL RELAY SIE 3RU2116-4AB0 11-16 A	1,00			--
TA	METR88630		TRANSFORMER 23/240V-5/60HZ 2X26KV TR.	1,00			--
TR	METR40020		TRANSFORMER 25VA 240-415/24 5/60HZ PM	1,00			--
TS	METK34839		THERMOSTAT 60°C TR/711-N C.1.5	1,00			--
CV1	MECB27734		CABLE H07 RNF 3X1.5 L=6.500	1,00			--
CV1	MEVR40211		PLUG N.AUS. 15A 2P+T 250V S.56	1,00			--
EC1	MECE40044		PCB PW-H5 T-SI/MP V.PL.+CO-2P	1,00			--
EC2	MECE40041		PCB LED PW 4/5 GR. FLT.	1,00			--
NTC	MEVR40150		PROBE NTC/150 IP65 C.1000	1,00			--
POT S	MEVR40149		POTENTIOMETER VSH P11S1V0FLSY 5/10K LN.	1,00			--
P1,2	MEPF40014		PRESSURE SWITCH PR 5 1/8M 25BAR RD.	2,00			--



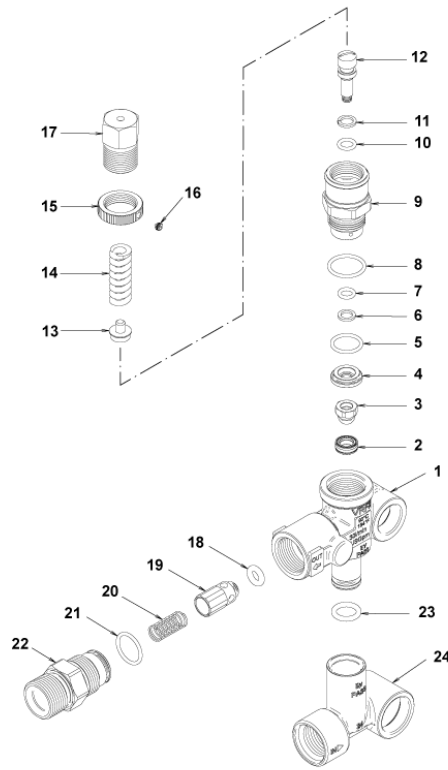
Ref. K	Part N.	Part N. 2	Description	Quantity	Validity		Price
					From	To	
0001	PVVR40120		CAP AR RC	6,00			--
0002	GUGO03505		O-RING D. 15.6 X 1.78 NBR 70SH	6,00			--
0003	S VVAM40002		VALVE UNIT RC	6,00		31/07/2012	--
0003	S VVAM40002		VALVE UNIT RC	3,00	01/08/2012		--
0004	VTVT06236		SCREW TCCE UNI 5931 6X40 ZB	8,00			--
0005	VTRS01077		WASHER D. 6,4X10X0,7	8,00			--
0006	MFVR40019		HEAD AR RC OT.	1,00			--
0007	GUGO19245		O-RING D. 17.5 X 2 NBR 70SH	1,00			--
0008	PVVR40121		CAP 1/2 M RC	1,00			--
0009	GUGO09720		O-RING D. 14 X 1.78 NBR 70SH	1,00			--
0010	PVVR40099		CAP 3/8 M HRM	1,00			--
0011	S PVVR40122		HEAD RING D. 18 RC	3,00			--
0012	S GUVR40035		PACKING D. 18 RC H.P.	3,00			--
0013	PVVR40123		INTERMED. RING D. 18 RC	3,00			--
0014	S GUVR40036		PACKING D. 18 RC L.P.	3,00			--
0015	S GUVR40037		ANTI-EXTR.RING D.21	3,00			--
0016	S GUGO19290		O-RING D. 23.52 X 1.78 NBR 70SH	3,00		31/03/2014	--
0016	S GUGO08182		O-RING D. 21.91 X 1.78 NBR 70SH	3,00	01/04/2014		--
0017	PVVR40124		PACKING RETAIN. D. 18 RC	3,00			--
0018	MFVR40020		PUMP CRANKCASE AR RC	1,00		31/03/2014	--
0018	MFVR40027		PUMP CRANKCASE AR RCS	1,00	01/04/2014		--
0019	CUVR28336		BALL BEARING 6304	1,00			--
0020	VTAE09661		CIRCLIP D. 52 UNI 7437	1,00			--
0021	VTAE06193		CIRCLIP D. 20 UNI 7435	1,00			--
0022	GUGO02561		O-RING D. 47.3 X 2.62 NBR 70SH	1,00			--
0023	PVVR40125		DISC RC	1,00			--
0024	PVVR40126		OIL INDICATOR RC	1,00			--
0025	MFVR40021		CRANKASE COVER AR RC LT.	1,00			--
0026	VTVT01531		SCREW TE 6X 16 UNI 5739	4,00			--
0027	PVVR19231		OIL CAP XTS	1,00		31/03/2014	--
0027	PVVR40436		OIL CAP RC	1,00	01/04/2014		--
0028	VTDD00483		NUT M 8 ZIN UNI 5588	3,00			--
0029	VTRS19394		WASHER D. 8X13X0.5	3,00			--
0030	S PIVR40005		PISTON D.18X30 RC	3,00			--
0031	PVVR19233		DISC XTS	3,00			--
0032	S GUGO09690		OIL SEAL 15X 24X 5 NBR70	3,00			--
0033	GUGO08071		O-RING D. 4.48 X 1.78 NBR 70SH	3,00			--
0034	PVVR40127		PISTON GUIDE RC	3,00			--
0035	BLVR40001		CONNECTING ROD RC	3,00			--
0036	PVVR40128		GUDGEON D. 9X23 RC	3,00			--
0037	GUGO18695		O-RING D. 101.27 X 2.62 NBR 70SH	1,00			--
0038	MFVR40022		CRANKASE COVER AR RC	1,00			--
0039	GUGO01036		O-RING D. 10.82 X 1.78 NBR 70SH	1,00			--
0040	PVVR40129		CAP 1/4 M RC	1,00			--



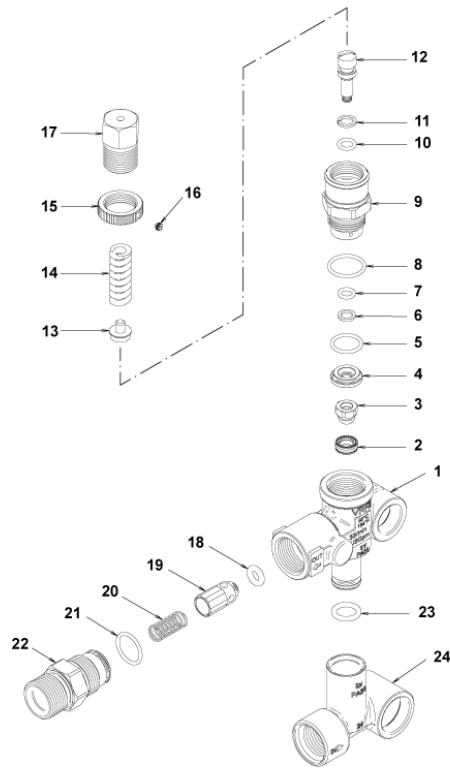
Ref. K	Part N.	Part N. 2	Description	Quantity	Validity		Price
					From	To	
0041	VTVT09913		SCREW TCEI 6X16 UNI5931	4,00			--
0042	ALMO40008		SHAFT AR RC 12LT VRS. N	1,00			--
0043	VTVR41531		KEY 8X 7X35 UNI 6604A	1,00			--
0044	CUVR23636		ROLLER BEARING HK 4516	1,00			--
0045	S GUGO00999		OIL SEAL 25X 52X 7 NBR70	1,00			--
0050	S VVAM40007		VALVE UNIT RC ASP. BK	3,00	01/08/2012		--
0051	PVVR40437		RING D. 51.8 X0.5	1,00	01/04/2014		--



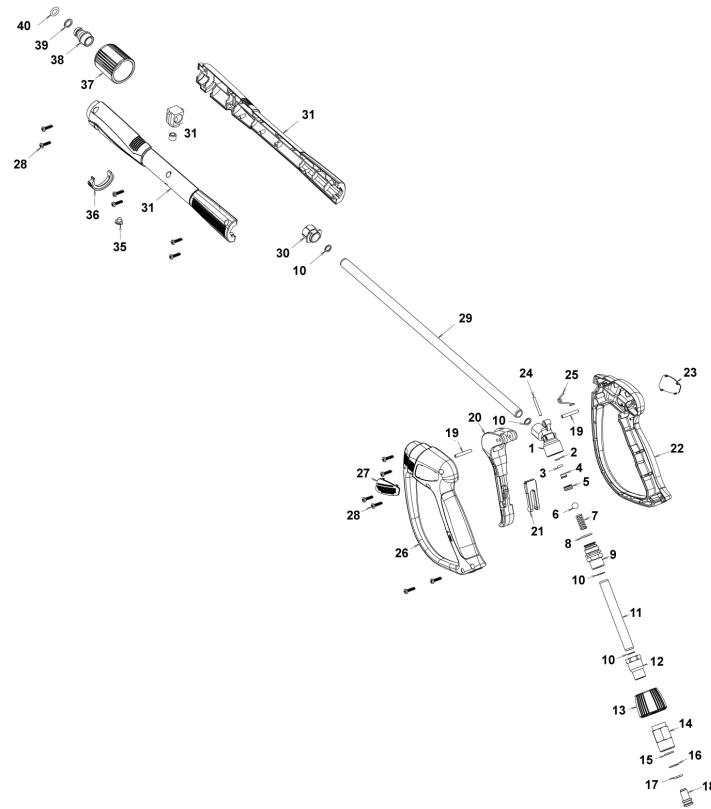
Ref. Part N.	Cust. Part N.	Description	Reference	Price
KTRI40092		KIT P 15-2186 RC	0003	--
KTRI40093		KIT P 15-42917 RC	0030	--
KTRI40094		KIT P 15-42919 D.18 RC	0012 0014 0015 0016	--
KTRI40095		KIT P 15-42903 D.18 RC	0011	--
KTRI40096		KIT P 15-42918 RC	0032 0045	--
KTRI40207		KIT P 15-42914 RC 3+3 BL./WH.	0003 0003	--



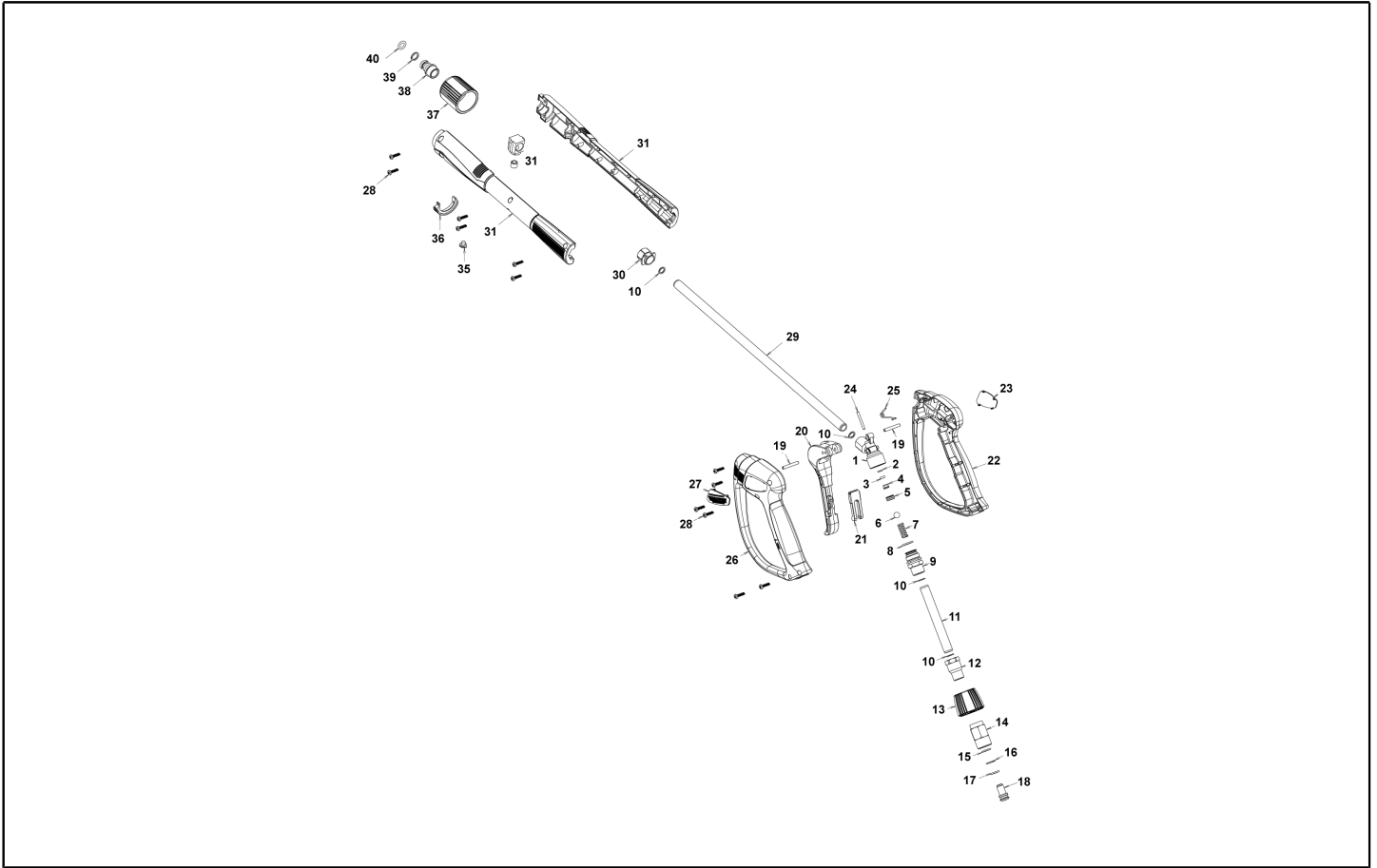
Ref. K	Part N.	Part N. 2	Description	Quantity	Validity		Price
					From	To	
0001	PVVR40375		VALVE BODY VRF2 +G1/8 F	1,00			--
0002	S	PVVR40363	VALVE SEAT MV124 +OR	1,00			--
0003	S	PVVR40364	COUPLING MV124	1,00			--
0004	S	PVVR40365	SPACER MV124	1,00			--
0005	S	GUGO12322	O-RING D. 14 X 1.78 NBR 90SH	1,00			--
0006	S	GUVR40072	ANTI-EXTR.RING D. 6.5X 9.4	1,00			--
0007	S	GUGO83861	O-RING D. 6.07 X 1.78 NBR 90SH	1,00			--
0008	S	GUGO24913	O-RING D. 17.17 X 1.78 NBR 90SH	1,00			--
0009	S	PVVR40366	CONNECTOR VRF2 D.10	1,00			--
0010	S	GUGO03500	O-RING D. 6.75 X 1.78 NBR 70SH	1,00			--
0011	S	GUVR40073	ANTI-EXTR.RING D. 7.1X10 X1.2 TBT	1,00			--
0012	S	PVVR40367	SMALL PISTON D.10 VRF2	1,00			--
0013		PVVR40368	SPRING PLATE MV124 25B	1,00			--
0014		MLML40027	SPRING D. 3.0/6.0 X38.85	1,00			--
0015		PVVR40369	RING NUT MV167.09	1,00			--
0016		VTVT89696	SCREW EI-ST 4X 4 UNI5927 ZC	1,00			--
0017		PVVR40370	CAP VRF2 M18X1	1,00			--
0018	S	GUGO46053	O-RING D. 6 X 3 NBR 90SH	1,00			--
0019	S	PVVR40349	COUPLING VRT3	1,00			--
0020	S	MLML40026	SPRING VRT3	1,00			--
0021	S	GUGO12321	O-RING D. 15.6 X 1.78 NBR 90SH	1,00			--
0022		PVVR40525	CONNECTOR VRT3 G 3/8M	1,00			--
0023		GUGO11225	O-RING D. 10.78 X 2.62 NBR 70SH	1,00			--
0024		PVVR40373	CONNECTOR VRF2.24	1,00			--



Ref. Part N.	Cust. Part N.	Description	Reference	Price
KTRI40236		KIT P 14-103 VRF2	0002 0003 0004 0005 0006 0007 0008 0009 0010 0011 0012 0018 0019 0020 0021	--
KTRI40237		KIT P 14-104 SEAL VRF2	0002 0003 0005 0006 0007 0008 0010 0011 0018 0021	--



Ref. K	Part N.	Part N. 2	Description	Quantity	Validity		Price
					From	To	
0001	PVVR40381		GUN BODY G 5100 G1/4F	1,00			--
0002	S	GUVR40074	ANTI-EXTR.RING D. 3 X 7.4X1.3	1,00			--
0003	S	GUGO21835	O-RING D. 2.84 X 2.62 VIT. 80SH	1,00			--
0004		PVVR40382	PISTON GUIDE G 5100	1,00			--
0005	S	PVVR40112	BALL SEAT G 5000	1,00			--
0006	S	SFVR40002	BALL D.11/32" ALL.GR16	1,00			--
0007		MLML40016	SPRING D. 9.4 x21.5x1.6 G5000	1,00			--
0008		GUGO12322	O-RING D. 14 X 1.78 NBR 90SH	1,00			--
0009		PVVR40383	CONNECTOR COLL.G5100 1/4F	1,00			--
0010		VTRS40017	WASHER D. 8,2X11,4X1,00	4,00			--
0011		PVVR40384	TUBE G 1/4" L.105	1,00			--
0012		RCIN40022	CONNECTOR SWIV G5100 1/4F	1,00			--
0013		MPVR40819	RING NUT G 5100 SW. BK.	1,00			--
0014		RCIN40021	JOINT SWIV 5100 M22	1,00			--
0015	S	GUVR40075	ANTI-EXTR.RING D. 10 X14X1.5	1,00			--
0016	S	GUVR40076	ANTI-EXTR.RING D. 11.2X14X1.2	1,00			--
0017	S	GUGO15295	O-RING D. 10.82 X 1.78 VIT 75SH	1,00			--
0018		PVVR40386	SCREW SW. G 5100	1,00			--
0019		VTVR40047	PLUG D. 4X29	2,00			--
0020		MPVR40820	TRIGGER G 6000-SW	1,00			--
0021		MPVR40821	SAFETY-DEVICE G 6000-SW	1,00			--
0022		MPVR40822	SHELL G 6000-SW DX	1,00			--
0023		MPVR40823	PLATE G 6000 GR.DX	1,00			--
0024		PVVR40387	SMALL PISTON G 5100	1,00			--
0025		MLML40029	SPRING G 5100	1,00			--
0026		MPVR40824	SHELL G 6000-SW SX	1,00			--
0027		MPVR40825	PLATE G 6000 GR.SX	1,00			--
0028		VTVT40043	SCREW AF 4X 14 HILO ZN.N	12,00			--
0029		LCPR40086	TUBE 1/4 L=420 ZC. 0°	1,00			--
0030		MPVR40493	CONNECTOR G 5100-SW	1,00			--
0031		MPVR40494	PROTECTION P 420 C/AN.	1,00			--
0035		MPVR40198	CAP G 5000	1,00			--
0036		MPVR40495	CAP G 5100 REM.	1,00			--
0037		PVVR40119	CONNECTION M22X1,5 IRV G5000	1,00			--
0038		RCIN40009	GUDGEON G 1/4 F IRV G5000	1,00			--
0039		GUVR40034	ANTI-EXTR.RING D. 10 X14	1,00			--
0040		GUGO01946	O-RING D. 9.13 X 2.62 VIT 70SH	1,00			--



Ref. Part N.	Cust. Part N.	Description	Reference	Price
KTRI40243		KIT P 26- 26 SWIVEL G 5100	0015 0016 0017	--
KTRI40414		KIT P 26- 34 G 6000	0002 0003 0005 0006	--

POWERBLAST
PREMIUM PRODUCTS

Congratulations on your new POWERSHOT product.

We are proud to have you as our customer and will strive to provide you with the best service and reliability in the industry. This product is backed by our extensive service network. To locate your nearest distributor call 1800 812 223, or email us at sales@powerblast.com.au.