

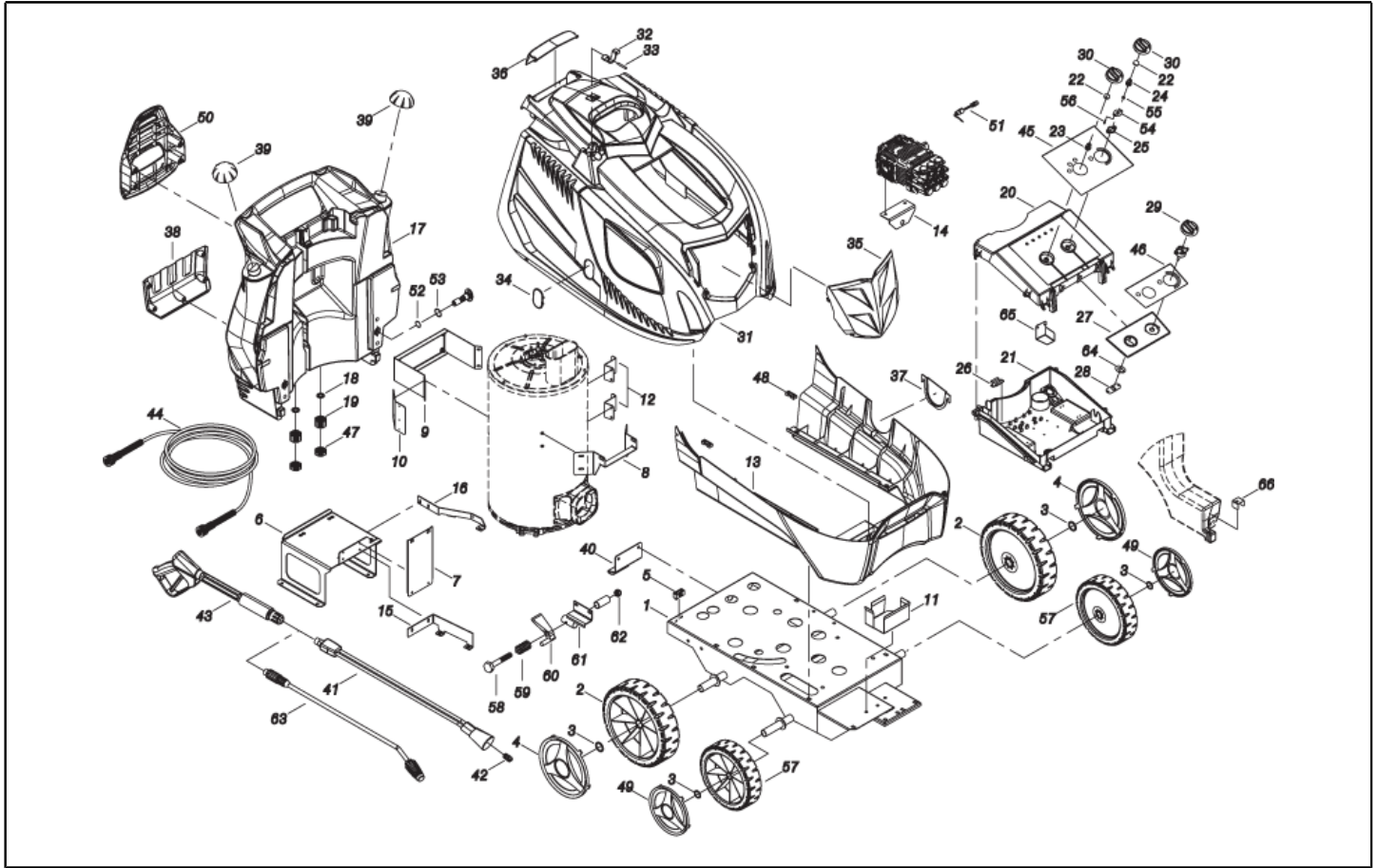
**POWER
SHOT**

**HOTWASH
HW2021**

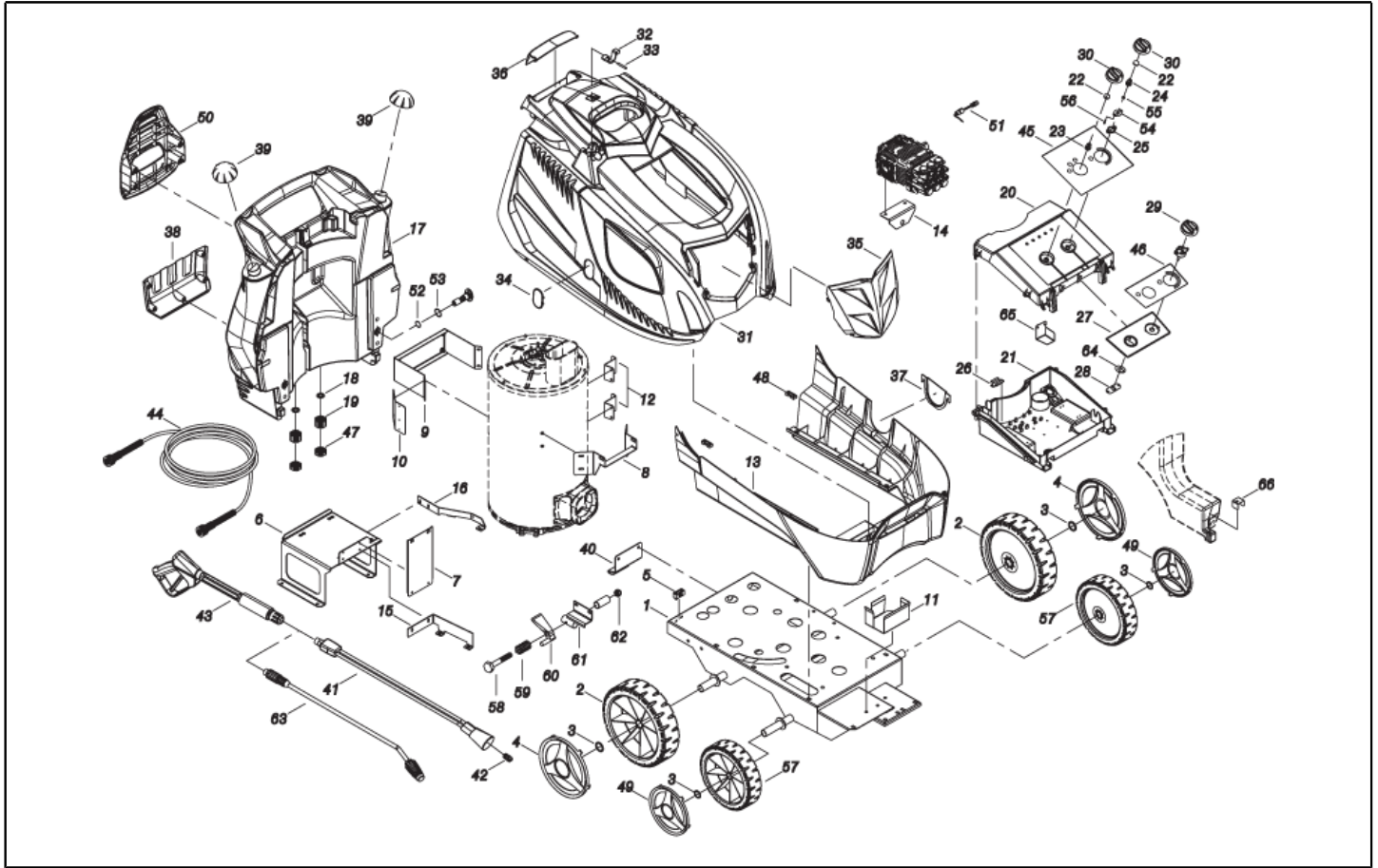
**HOT WATER
CLEANER**



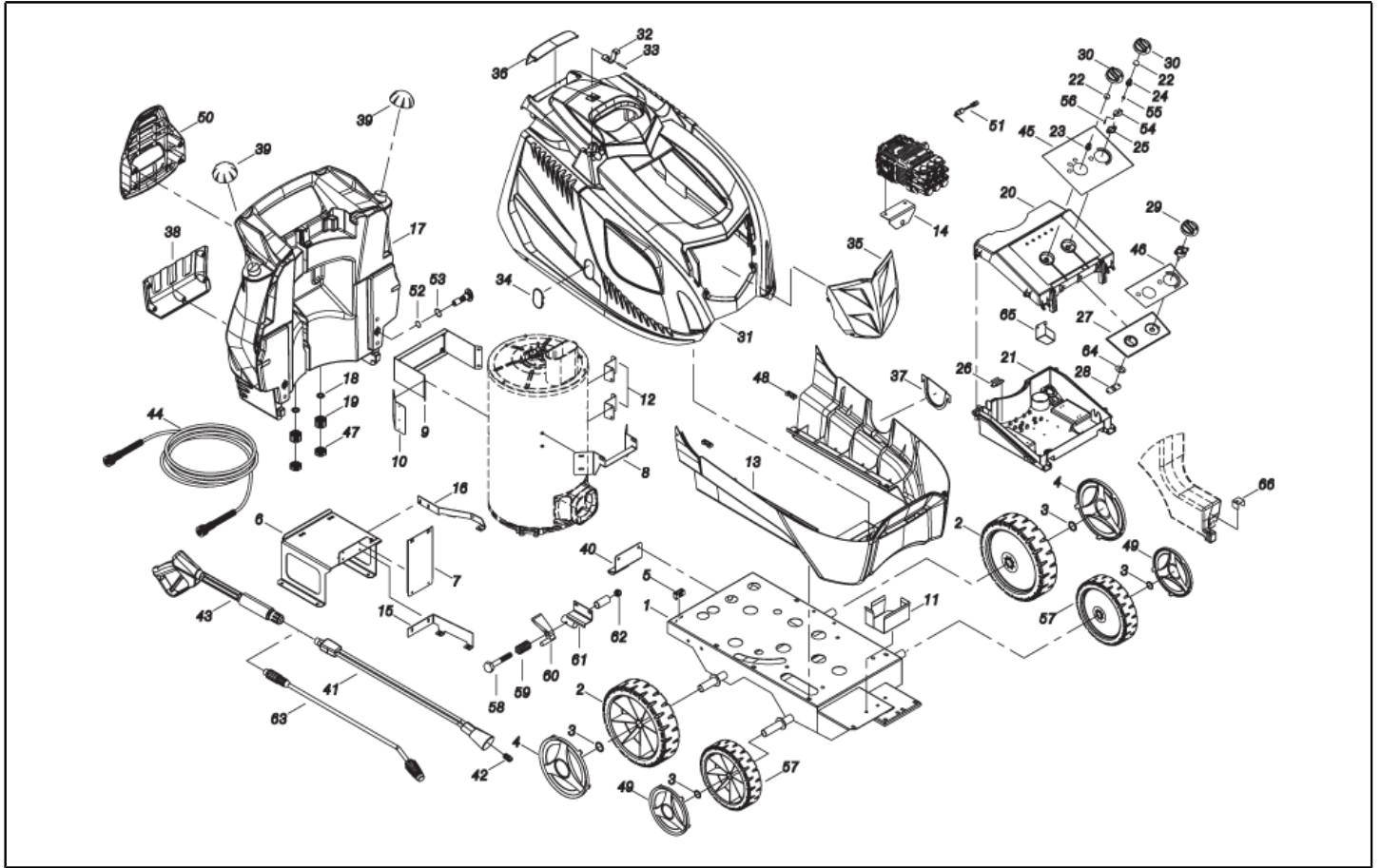
SPARE PARTS LIST



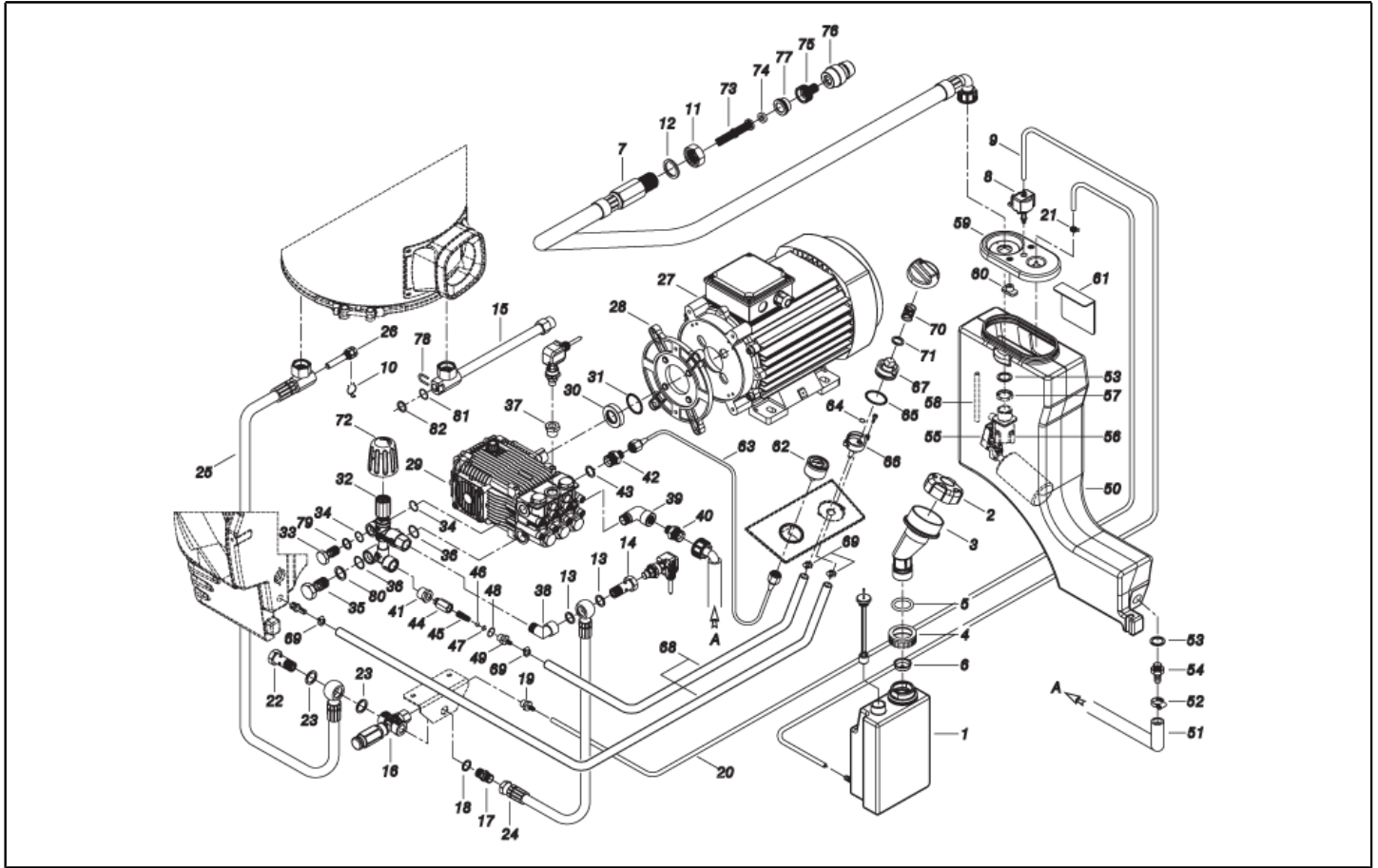
| Ref. K | Part N. | Customer Part N. | Description | Quantity | Validity | | Price |
|--------|-------------|------------------|------------------------------------|----------|------------|------------|-------|
| | | | | | From | To | |
| 0001 | LAFN40756 | | CHASSIS PW-H100/4W BK. | 1,00 | | | -- |
| 0002 | RTRT45383 | | WHEEL D.305-D.25 RT-IPC | 2,00 | | | -- |
| 0003 | VTRS09813 | | WASHER D.25 | 4,00 | | | -- |
| 0004 | MPVR40948 | | HUB CAP D. 305 RT/H35 BK. | 2,00 | | | -- |
| 0005 | MEVR20906 | | CABLE CLAMP KSM | 1,00 | | | -- |
| 0006 | LAFN40752 | | MOTOR SUPPORT PW-H100 ZC. | 1,00 | | | -- |
| 0007 | LAFN40742 | | SUPPORT PW-H100 AN.ZC. | 1,00 | | | -- |
| 0008 | LAFN40743 | | SUPPORT PW-H100 PS.ZC. | 1,00 | | | -- |
| 0009 | LAFN40571 | | BRACKET PW-H35 PM.ZC | 1,00 | | 14/07/2016 | -- |
| 0009 | LAFN40835 | | BRACKET PW-H35 PM.2 ZC | 1,00 | 15/07/2016 | | -- |
| 0010 | LAFN40745 | | SUPPORT BRACKET PW-H100 ZC. | 1,00 | | | -- |
| 0011 | LAFN40746 | | SUPPORT BRACKET PW-H100 ZC. | 1,00 | | | -- |
| 0012 | LAFN40748 | | B.TANK BRACKET PW-H100 ZC. | 2,00 | | | -- |
| 0013 | MPVR40774 | | BLACK COVER PW-H100 INF.PP | 1,00 | | | -- |
| 0014 | LAFN40747 | | VALVE BRACKET SIC. PW-H100 ZC | 1,00 | | | -- |
| 0015 | LAFN40751 | | SUPPORT BRACKET PW-H100 LAT. | 1,00 | | | -- |
| 0016 | LAFN40749 | | SUPPORT BRACKET PW-H100 ANT. | 1,00 | | | -- |
| 0017 | MPVR40792 | | TANK PW-H100 PL. PEHD BK. | 1,00 | | | -- |
| 0018 | GUGO11489 | | GASKET D.22X1,5 | 2,00 | | | -- |
| 0019 | PVVR11806 | | DISCHARGE CAP FLL | 2,00 | | | -- |
| 0020 | MPVR40540 | | BOX COVER PW-H35 ABS BK. | 1,00 | | | -- |
| 0021 | MPVR40784 | | CONTROL BOX PW-H35 C/F.TH ABS BK. | 1,00 | | | -- |
| 0022 | GUGO25527 | | O-RING D. 14 X 3 NBR 70SH | 2,00 | | | -- |
| 0023 | MPVR23482 | | SWITCH TANG TEC. TUV | 1,00 | | | -- |
| 0024 | S MPVR40843 | | TAIL PIECE THERM.PW-H PL. | 1,00 | 01/11/2016 | | -- |
| 0025 | S MPVR41903 | | THICKNESS TERM.IM.PA66 | 1,00 | | | -- |
| 0026 | LAFN46067 | | SUPPORT L.60 P176 | 2,00 | | | -- |
| 0027 | MPVR40542 | | ANT. PANEL PW-H35 ABS BK. | 1,00 | | | -- |
| 0028 | LAFN40561 | | JUNCTION BOARD PW-H35 ZC. | 1,00 | | 28/02/2017 | -- |
| 0028 | LAFN40922 | | JUNCTION BOARD PW-H35 D.14 ZC. | 1,00 | 01/03/2017 | | -- |
| 0029 | MPVR13685 | | BLACK KNOB PRT-AC | 1,00 | | | -- |
| 0030 | MPVR49057 | | BLACK KNOB P176-M.RACE PA6 | 2,00 | | | -- |
| 0031 | MPVR40947 | | GREY COVER PW-H100 SUP.PP | 1,00 | | | -- |
| 0032 | MPVR40485 | | RUBBER PW-H35 15-20BK. | 1,00 | | | -- |
| 0033 | MPVR40534 | | PIN PW-H35 PP BK. | 2,00 | | | -- |
| 0034 | MPVR40539 | | DOOR PW-H35 PPL NT. | 1,00 | | | -- |
| 0035 | MPVR40804 | | DOOR PW-H100/Nt.PPL BK. | 1,00 | | | -- |
| 0036 | MPVR40765 | | DOOR PW-H100 PT.PPL BK. | 1,00 | | | -- |
| 0037 | MPVR40532 | | DOOR PW-H35 PPL BK.INF. | 1,00 | | | -- |
| 0038 | MPVR40533 | | TOOL HOLDER PW-H35 PP BK. | 1,00 | | | -- |
| 0039 | MPVR40187 | | TANK CAP P215 PEHD C/F. | 2,00 | | | -- |
| 0040 | LAFN40609 | | FOOT PW-H35/4W | 1,00 | | | -- |
| 0041 | LCPR40087 | | EXTENSION P 70 -P20.IX700 M22 M | 1,00 | | 31/08/2017 | -- |
| 0041 | LCPR40159 | | EXTENSION P 70 -P20.IX700 M22 M 0° | 1,00 | 01/09/2017 | | -- |



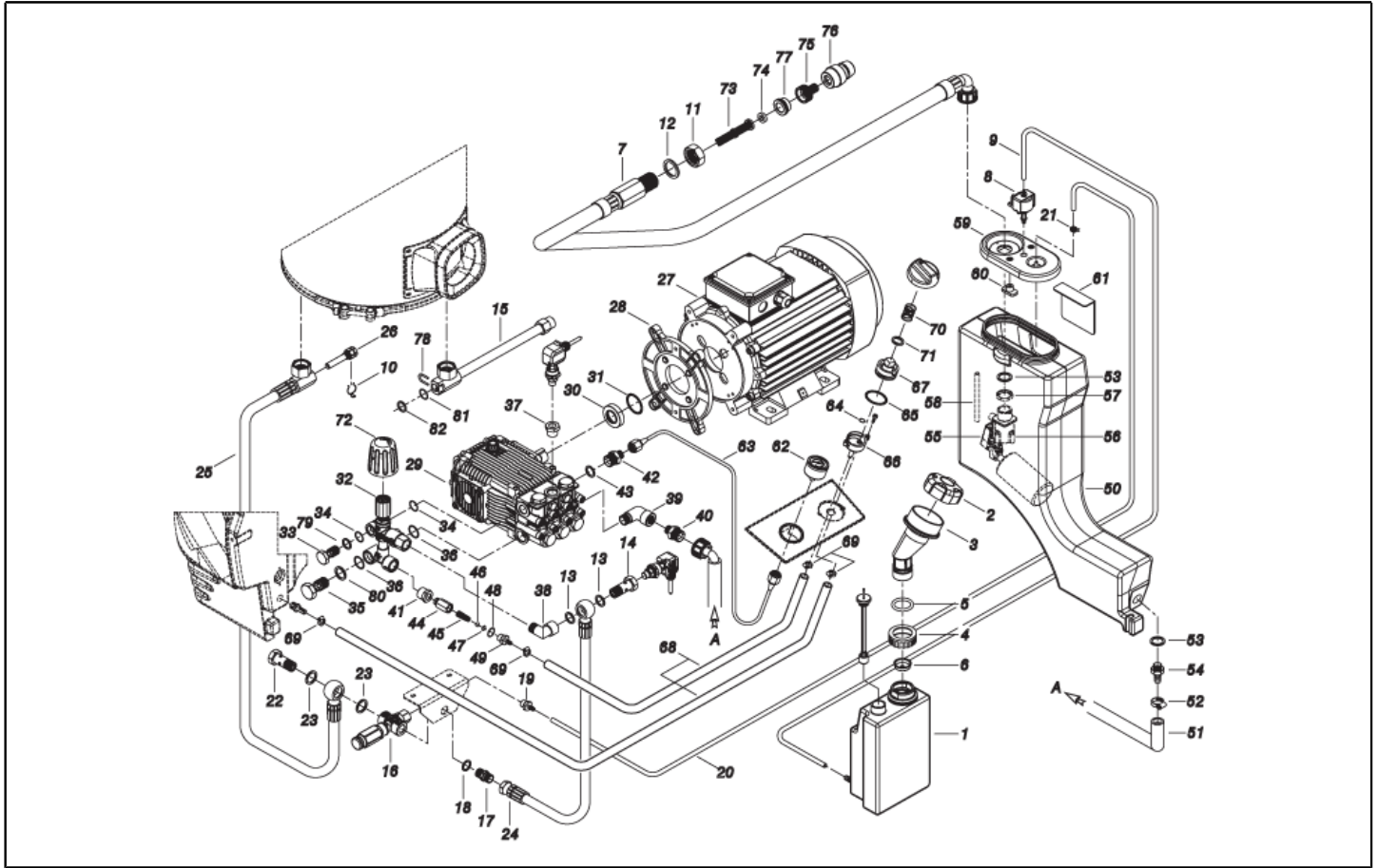
| Ref. K | Part N. | Customer Part N. | Description | Quantity | Validity | | Price |
|--------|-------------|------------------|-------------------------------------|----------|------------|----|-------|
| | | | | | From | To | |
| 0042 | UGLN02303 | | NOZZLE LECH 1/4 15065 | 1,00 | | | -- |
| 0043 | IPPR40020 | | GRIP G 6000+P.330 +M22 SW.M V | 1,00 | | | -- |
| 0044 | TBAP40009 | | H.P. HOSE R2 MT 10 5/16" C/2 IRV IX | 1,00 | | | -- |
| 0045 | ETET40833 | | LABEL PW-H100.SCN EL.PI. | 1,00 | | | -- |
| 0046 | ETET40769 | | LABEL PW-H100.SYNCR.IDR. | 1,00 | | | -- |
| 0047 | MPVR20187 | | RING NUT M 39 X 3 | 2,00 | | | -- |
| 0048 | MPVR28554 | | CABLE FASTNER ELT | 2,00 | | | -- |
| 0049 | MPVR40949 | | HUB CAP D. 260 RT/H35 BK. | 2,00 | | | -- |
| 0050 | MPVR40701 | | HOSE SUPPORT PW-H35 PP BK. | 1,00 | | | -- |
| 0052 | GUGO01056 | | O-RING D. 18.72 X 2.62 NBR 70SH | 1,00 | | | -- |
| 0053 | GUGO01197 | | O-RING D. 22.22 X 2.62 NBR 70SH | 1,00 | | | -- |
| 0054 | S LAFN40763 | | PLATE PW-H28 POT. IX | 1,00 | | | -- |
| 0055 | S LAFN40916 | | BUSHING D. 6- 9 L= 8 BZ.SINT. | 1,00 | 01/11/2016 | | -- |
| 0056 | S VTVR40014 | | PIN CH. 7 X 10 M4M/M4F NIK. | 2,00 | | | -- |
| 0057 | RTRT40005 | | WHEEL D.260-D.25 RT-HI | 2,00 | | | -- |
| 0058 | VTVT14480 | | SCREW TE M 8X80 ZINC. UNI | 1,00 | | | -- |
| 0059 | MLML11917 | | SPRING D. 14.5 X24 X2.2 | 1,00 | | | -- |
| 0060 | MPVR28178 | | CONTROL LEVER MTH PL. | 1,00 | | | -- |
| 0061 | LAFN40560 | | BRACKET PW-H35/4W BK. | 1,00 | | | -- |
| 0062 | VTDD00492 | | NUT M 8 ZINC | 1,00 | | | -- |
| 0064 | LAFN40921 | | PLATE PW-H35 D.14 ZC. | 1,00 | 01/03/2017 | | -- |
| 0065 | LAFN40967 | | PROTECTION PW-H100 ZC | 1,00 | | | -- |
| 0066 | LAFN40919 | | BRACKET PW-H100 ZC. | 1,00 | 05/11/2016 | | -- |



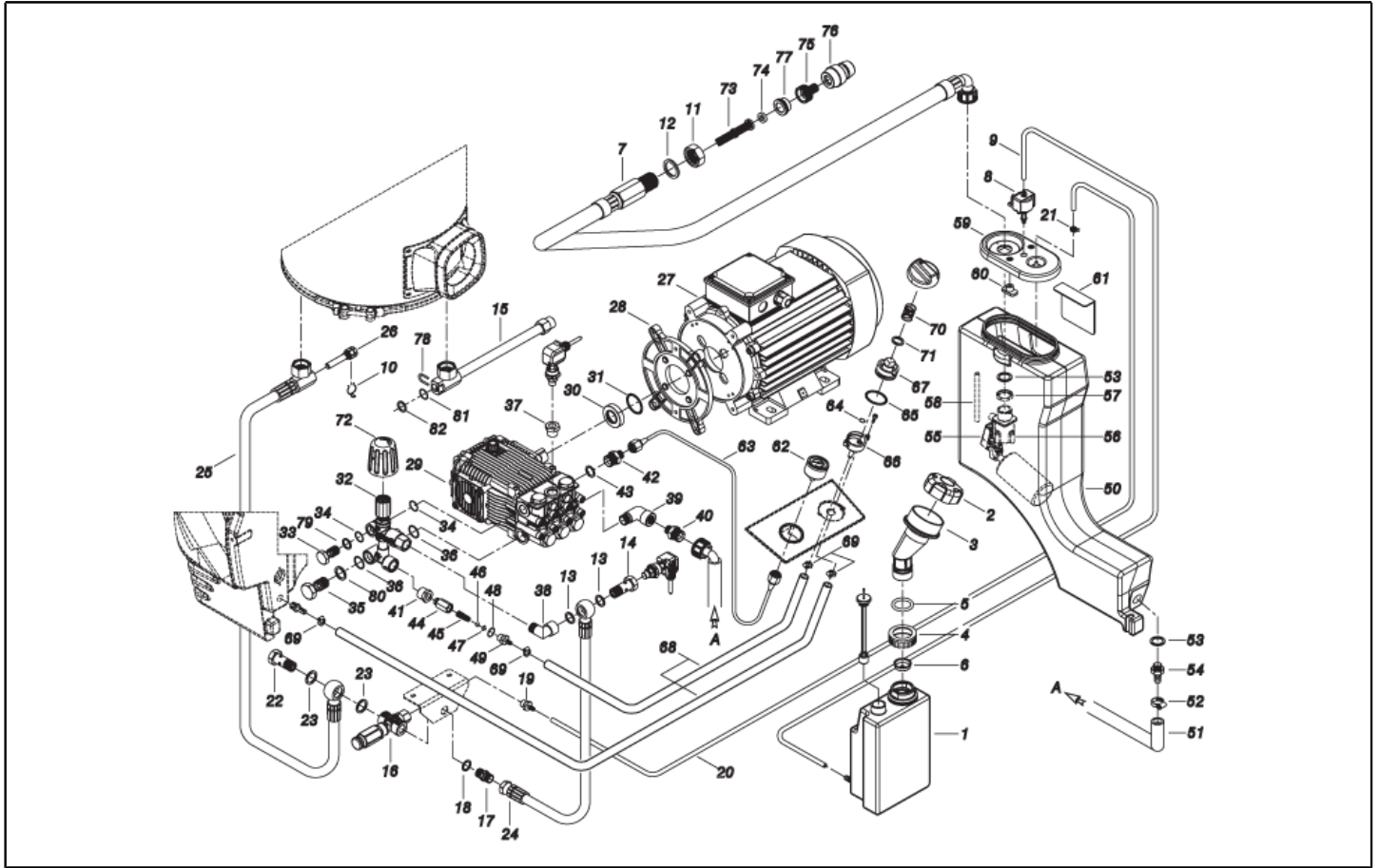
| Ref. Part N. | Cust. Part N. | Description | Reference | Price |
|---------------|-------------------------------|-------------|------------------------------|-------|
| POT KTRI40415 | KIT P 20- 4 POT. VSH P11 PW-H | | POT 0024 0025 0054 0055 0056 | -- |



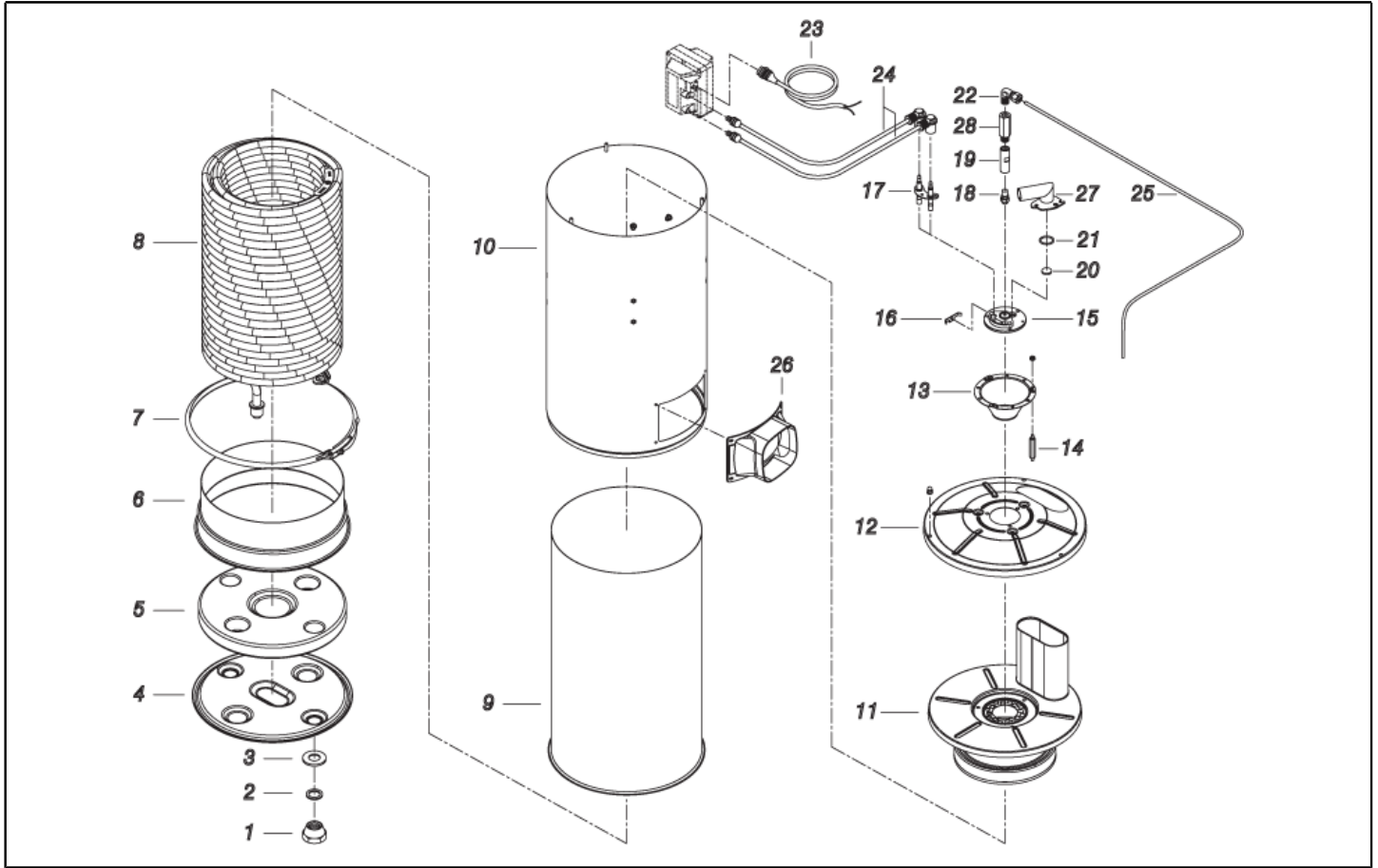
| Ref. K | Part N. | Customer Part N. | Description | Quantity | Validity | | Price |
|--------|-------------|------------------|--|----------|----------|----|-------|
| | | | | | From | To | |
| 0001 | MPVR40698 | | TANK KSM C/PE. | 1,00 | | | -- |
| 0002 | MPVR40187 | | TANK CAP P215 PEHD C/F. | 1,00 | | | -- |
| 0003 | MPVR40700 | | MANIFOLD A.CLCL PW-H35 PP NT. | 1,00 | | | -- |
| 0004 | MPVR40739 | | TANK CAP KSM D.36.2 | 1,00 | | | -- |
| 0005 | GUGO89386 | | O-RING D. 30 X 5 NBR 70SH | 1,00 | | | -- |
| 0006 | MPVR18582 | | CAP D.22 | 1,00 | | | -- |
| 0007 | TBBP40090 | | L.P. HOSE L=1870 3/4F90°-1/2M 0° | 1,00 | | | -- |
| 0008 | MEPD45940 | | DESCALING PUMP NME 1 24V 50/60HZ | 1,00 | | | -- |
| 0009 | TBBP00058 | | L.P. HOSE D. 4- 7 | 1,10 | | | -- |
| 0010 | MLML02623 | | SPRING IMT | 1,00 | | | -- |
| 0011 | RCDS49875 | | RING NUT 1/2"X 6 CH.27 OT. | 1,00 | | | -- |
| 0012 | VTRS00549 | | WASHER D.21,5X27X1,5 (1/2) RM | 1,00 | | | -- |
| 0013 | VTRS00548 | | WASHER D.17,5X23X1,5 (3/8)RM | 2,00 | | | -- |
| 0014 | RCDS40148 | | SCREW G 3/8 - 1/4F L=36 ZC. | 1,00 | | | -- |
| 0015 | S RCDS21118 | | CONNECTOR KSM | 1,00 | | | -- |
| 0015 | S RCDS21119 | | NUT KSM | 1,00 | | | -- |
| 0015 | S RCDS40230 | | CONNECTOR G 3/8F -1/4 -P/NTC C.27 | 1,00 | | | -- |
| 0015 | S RCDS40041 | | CONNECTOR L=216 2X3/8M CN. ZC. | 1,00 | | | -- |
| 0015 | S RCIN03753 | | MALE COUPLING M22-3/8 M-FA | 1,00 | | | -- |
| 0016 | VVSC72419 | | VALVE VS 350 G3/8 2E. | 1,00 | | | -- |
| 0017 | RCDS00610 | | NIPPLE 3/8 - 3/8 SV | 1,00 | | | -- |
| 0018 | VTRS00548 | | WASHER D.17,5X23X1,5 (3/8)RM | 1,00 | | | -- |
| 0019 | RCDS03514 | | HOSE FITTING 3/8 M D. 5- 7 | 1,00 | | | -- |
| 0020 | TBBP93804 | | L.P. HOSE D. 6- 9 | 1,40 | | | -- |
| 0021 | FSVR40021 | | CLAMP D 7.8 - 8.3 | 1,00 | | | -- |
| 0022 | RCDS01371 | | SCREW G 3/8 A.P. | 1,00 | | | -- |
| 0023 | VTRS00548 | | WASHER D.17,5X23X1,5 (3/8)RM | 2,00 | | | -- |
| 0024 | TBAP40174 | | HOSE-FITTING 5/16 R2 3/8OC. -3/8F 0° | 1,00 | | | -- |
| 0025 | TBAP40173 | | HOSE-FITTING 3/ 8 R2 L=460 3/8OC.-PM26 | 1,00 | | | -- |
| 0026 | RCDS00593 | | SUMP IM 0-120 L=50 | 1,00 | | | -- |
| 0027 | MOTR40012 | | 3PH MOTOR H100 HP 9 2/460-5/60 K.8M | 1,00 | | | -- |
| 0028 | MFVR21735 | | COUNTERFLANGE MEC 112 2.V | 1,00 | | | -- |
| 0029 | PPAP40063 | | PUMP RK 20.19 DX NC 21LT. | 1,00 | | | -- |
| 0030 | RCDS40109 | | BUSHING AR RK OT | 1,00 | | | -- |
| 0031 | GUGO42285 | | O-RING D. 35 X 2.5 VIT.70SH | 1,00 | | | -- |
| 0032 | VVAZ40062 | | VALVE VRF-2 AR-R AF S/L RG | 1,00 | | | -- |
| 0033 | RCDS40172 | | SCREW 3/8 VRF-2 OT 4F. | 1,00 | | | -- |
| 0034 | GUGO03510 | | O-RING D. 12.37 X 2.62 NBR 70SH | 2,00 | | | -- |
| 0035 | RCDS40171 | | SCREW G 1/2 VRF-2 OT. 2F. | 1,00 | | | -- |
| 0036 | GUGO01048 | | O-RING D. 15.88 X 2.62 NBR 70SH | 2,00 | | | -- |
| 0037 | PVVR40208 | | CAP AR RK C/F. 1/4F+OR | 1,00 | | | -- |
| 0038 | RCVR40158 | | ELBOW 3/8"-3/8" M/F A.P.Cn OTT. | 1,00 | | | -- |
| 0039 | RCVR00575 | | ELBOW 1/2" M/F A10 | 1,00 | | | -- |
| 0040 | RCDS88747 | | NIPPLE 3/4 - 1/2 CB D. 9.0 | 1,00 | | | -- |



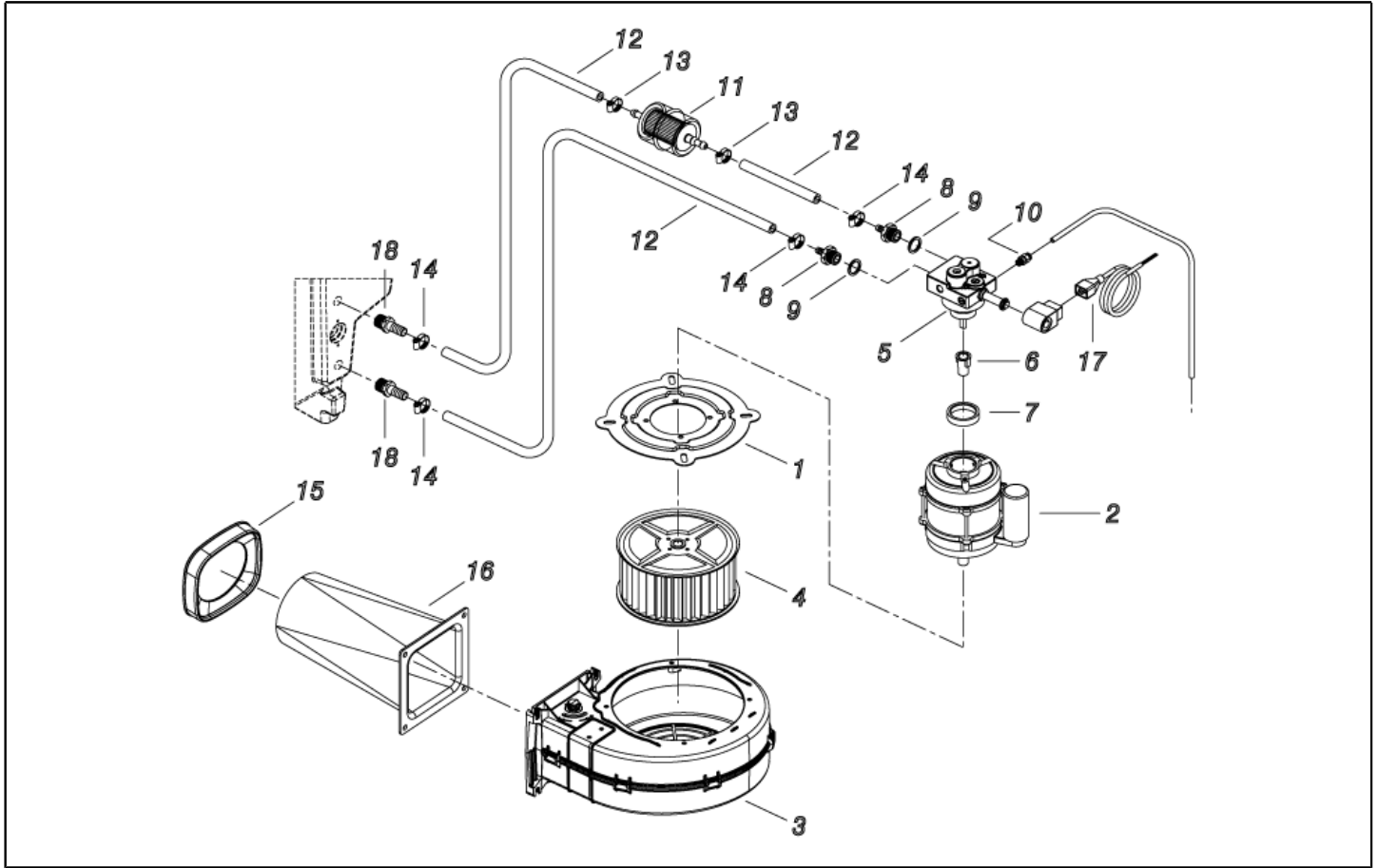
| Ref. K | Part N. | Customer Part N. | Description | Quantity | Validity | | Price |
|--------|-----------|------------------|--|----------|------------|------------|-------|
| | | | | | From | To | |
| 0041 | RCVR02606 | | REDUCTION 1/2-1/4 M/F | 1,00 | | | -- |
| 0042 | RCDS00608 | | NIPPLE 3/8 - 1/4 SV | 1,00 | | | -- |
| 0043 | VTRS00548 | | WASHER D.17,5X23X1,5 (3/8)RM | 1,00 | | | -- |
| 0044 | RCDS46072 | | VALVE BODY N/R 1/4F-1/4 P176 OT | 1,00 | | | -- |
| 0045 | MLML21505 | | SPRING D. 8 X5 X0.3 | 1,00 | | | -- |
| 0046 | SFVR04274 | | BALL D. 7/32 | 1,00 | | | -- |
| 0047 | GUGO01055 | | O-RING D. 5.28 X 1.78 VIT 70SH | 1,00 | | | -- |
| 0048 | GUGO01036 | | O-RING D. 10.82 X 1.78 NBR 70SH | 1,00 | | | -- |
| 0049 | RCDS10546 | | VALVE SEAT 1/4M + PG. D.3-7.5 OTT | 1,00 | | | -- |
| 0050 | MPVR40767 | | WATER TANK PW-H100 PEHD NT. | 1,00 | | | -- |
| 0051 | TBBP40091 | | L.P. HOSE L= 650 3/4F 0°-LIB.19X26 | 1,00 | | | -- |
| 0052 | FSVR00431 | | CLAMP D. 16-25 | 1,00 | | | -- |
| 0053 | GUGO40060 | | GASKET D. 21.0-33 X 2.5 EPDM | 2,00 | | | -- |
| 0054 | RCVR40154 | | HOSE FITTING PPL D.19 -G.1/2M | 1,00 | | | -- |
| 0055 | MPVR88419 | | ADAPTER P245 PA6 BK. | 1,00 | | | -- |
| 0056 | RCGR60703 | | FLOATER MTM 3/4 PP. S/F. | 1,00 | | | -- |
| 0057 | RCVR49974 | | RING NUT 3/4" X 4 NIK | 1,00 | | | -- |
| 0058 | TBBP07631 | | L.P. HOSE D.10-14 | 0,08 | | 14/06/2016 | -- |
| 0058 | TBBP40105 | | L.P. HOSE D.12-17 CRISTALL | 0,08 | 15/06/2016 | | -- |
| 0059 | MPVR40516 | | TANK COVER P190-35 PA6 BL. | 1,00 | | | -- |
| 0060 | MPVR89078 | | PLATE P190 PA6 BL. | 2,00 | | | -- |
| 0061 | LAFN40732 | | PANEL PW-H28 INX | 1,00 | | | -- |
| 0062 | MNMN18650 | | PRESSURE GAUGE 0-300 D.40 | 1,00 | | | -- |
| 0063 | TBAP40113 | | POLYAMIDE HOSE L=420 1/4F GR.-1/8F MN. | 1,00 | | | -- |
| 0064 | GUGO08071 | | O-RING D. 4.48 X 1.78 NBR 70SH | 1,00 | 01/01/2017 | | -- |
| 0065 | GUGO12183 | | O-RING D. 23.4 X 3.53 VIT 70SH | 1,00 | 01/01/2017 | | -- |
| 0066 | RCGR08069 | | TAP BODY DET. PRT | 1,00 | 01/01/2017 | | -- |
| 0067 | RCGR08070 | | ADJUSTER PRT | 1,00 | 01/01/2017 | | -- |
| 0068 | TBBP00051 | | DETERGENT HOSE D. 6-12 | 1,20 | 01/01/2017 | | -- |
| 0068 | TBBP00051 | | DETERGENT HOSE D. 6-12 | 0,77 | 01/01/2017 | | -- |
| 0069 | FSVR00427 | | CLAMP D. 12 CLIC 66-110 | 2,00 | 01/01/2017 | | -- |
| 0070 | MLML08068 | | SPRING D.1.5 L.23 | 1,00 | | | -- |
| 0071 | VTRS00542 | | WASHER D.14X20 | 1,00 | | | -- |
| 0072 | MPVR40589 | | BLACK KNOB ST 260 IPC | 1,00 | | | -- |
| 0073 | FTAC30214 | | FILTER D.15X67 | 1,00 | | | -- |
| 0074 | GUGO37736 | | GASKET D. 10- 19 X 5 70SH | 1,00 | | | -- |
| 0075 | RCVR29600 | | SOCKET PTC 3/4 F | 1,00 | | | -- |
| 0076 | RCVR29602 | | CONNECTOR D. 1/2"-5/8" PTC | 1,00 | | | -- |
| 0077 | RCVR37806 | | REDUCTION PTC 3/4-1/2 M/F | 1,00 | | | -- |
| 0078 | LAFN40832 | | PLUG "U" SIST.NTC PW-H INX | 1,00 | | | -- |
| 0079 | VTRS00548 | | WASHER D.17,5X23X1,5 (3/8)RM | 1,00 | 01/02/2016 | | -- |
| 0080 | VTRS00549 | | WASHER D.21,5X27X1,5 (1/2) RM | 1,00 | 01/02/2016 | | -- |
| 0081 | GUGO27030 | | O-RING D. 6 X 3 VIT 70SH | 1,00 | | | -- |
| 0082 | GUVR40089 | | ANTI-EXTR.RING D. 6.6X11.9X1.5 PTFE | 1,00 | | | -- |



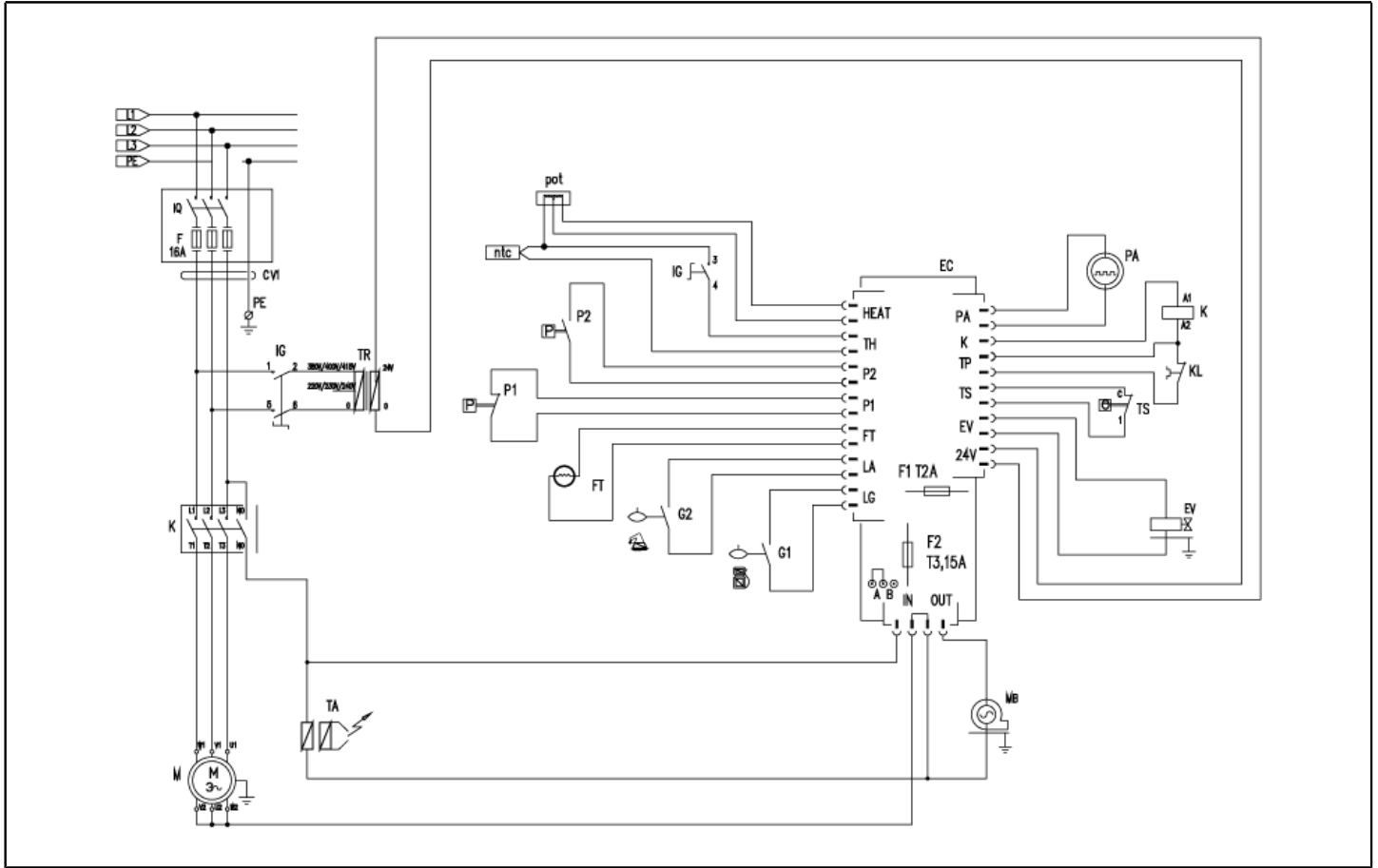
| Ref. Part N. | Cust. Part N. | Description | Reference | Price |
|----------------|---------------|--------------------------|------------------------------------|-------|
| 0015 KTRI40385 | | KIT P 13- 13 PW-H100 NTC | 0015 0015 0015 0015 0015 0015 0015 | -- |



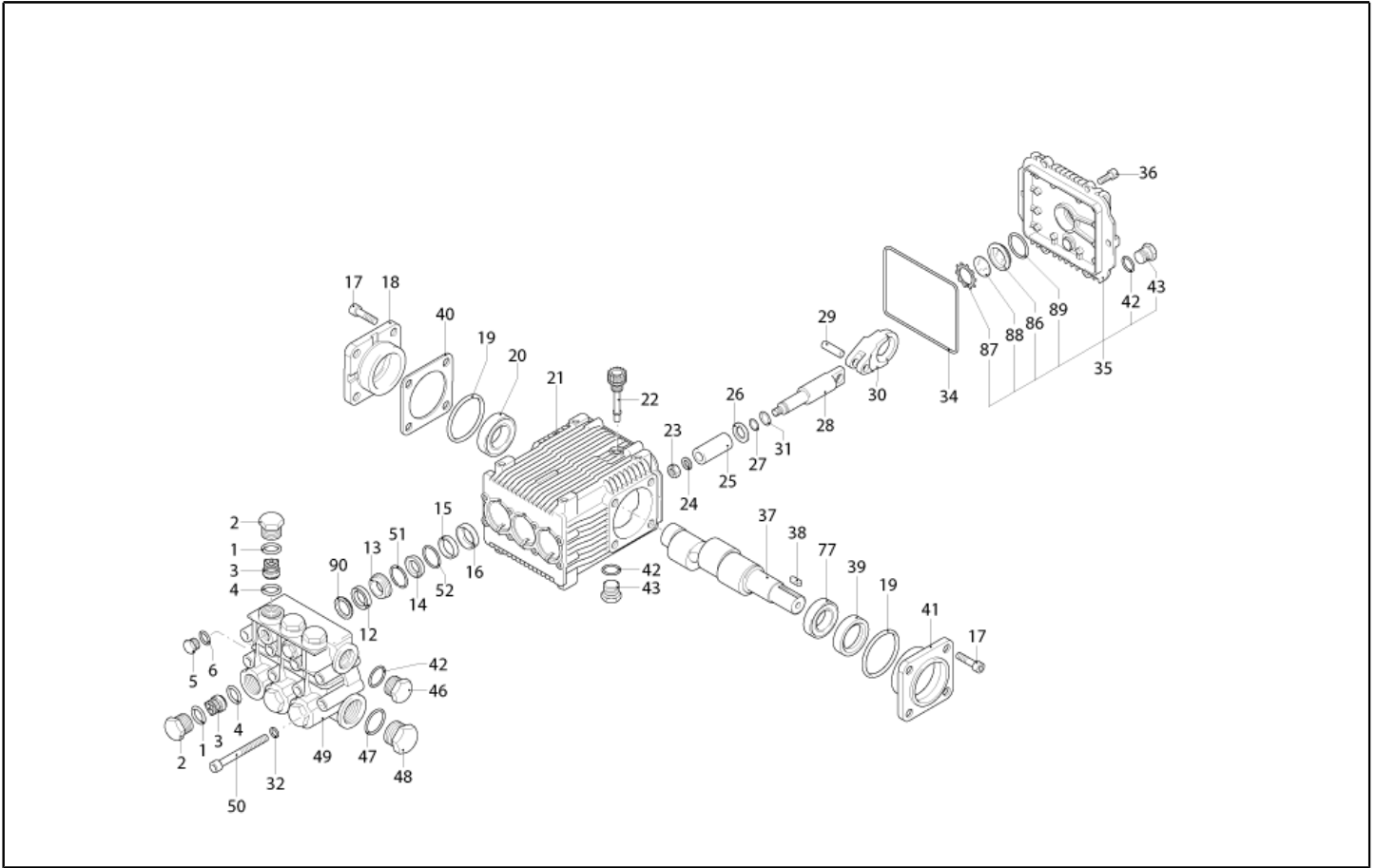
| Ref. K | Part N. | Customer Part N. | Description | Quantity | Validity | | Price |
|--------|-----------|------------------|--------------------------------------|----------|----------|----|-------|
| | | | | | From | To | |
| 0001 | RCDS21120 | | RING NUT M 26 X 1,5 | 2,00 | | | -- |
| 0002 | GUGO21222 | | O-RING D. 15.54 X 2.62 VIT 80SH | 2,00 | | | -- |
| 0003 | GUVR21021 | | ANTI-EXTR.RING D. 21 X17 TEF. | 2,00 | | | -- |
| 0004 | LAFN44149 | | BOILER BOTTOM P176 | 1,00 | | | -- |
| 0005 | ITTE44175 | | BOTTOM P176 C.TE | 1,00 | | | -- |
| 0006 | LAFN40733 | | BAND P176-H28 INX | 1,00 | | | -- |
| 0007 | LAFN40037 | | RING D.342 P176 ZN 2V.CPL. | 1,00 | | | -- |
| 0008 | LAFN46850 | | DOUBLE COIL M26X1.5 P176 40MT. I.304 | 1,00 | | | -- |
| 0009 | LAFN40275 | | INT. CYLINDER PM 40MT INX | 1,00 | | | -- |
| 0010 | LAFN40758 | | EXT. CYLINDER PM-H100.40 INX | 1,00 | | | -- |
| 0011 | LAFN40759 | | BOILER COVER SI PM-H100.40 INX | 1,00 | | | -- |
| 0012 | LAFN40270 | | BOILER COVER SE PM INX | 1,00 | | | -- |
| 0013 | LAFN44244 | | BAFFLE P176 30M INX | 1,00 | | | -- |
| 0014 | LAFN40287 | | PIN CH.10 X 65 M5M/M5M | 3,00 | | | -- |
| 0015 | MFVR18226 | | ELECTR.HOLDER FUT 3°V | 1,00 | | | -- |
| 0016 | LAFN07641 | | PLATE INX | 1,00 | | | -- |
| 0017 | MECA12525 | | ELECTRODE FUT | 1,00 | | | -- |
| 0018 | UGBR31344 | | BURNER NOZZLE 1.75 60 S | 1,00 | | | -- |
| 0019 | RCDS07642 | | NOZZLE HOLDER FUT | 1,00 | | | -- |
| 0020 | MPVR18228 | | OIL WARN-LIGHT D.17 X3 | 1,00 | | | -- |
| 0021 | GUGO40061 | | GASKET D. 10- 18 X 1 NBR | 1,00 | | | -- |
| 0022 | RCVR08954 | | ELBOW 1/8"-4 B5 | 1,00 | | | -- |
| 0023 | MECB34463 | | CABLE BT L=800 SP. FD | 1,00 | | | -- |
| 0024 | MECV35335 | | CABLE A.T. 9,8-23KOHMM L= 500P | 2,00 | | | -- |
| 0025 | TBCO40068 | | DIESEL HOSE PW-H100 40M D. 4 IX | 1,00 | | | -- |
| 0026 | MPVR88426 | | CONVEYOR P176 PA6 BK. | 1,00 | | | -- |
| 0027 | LAFN40734 | | SUPPORT PW-H35 BK. | 1,00 | | | -- |



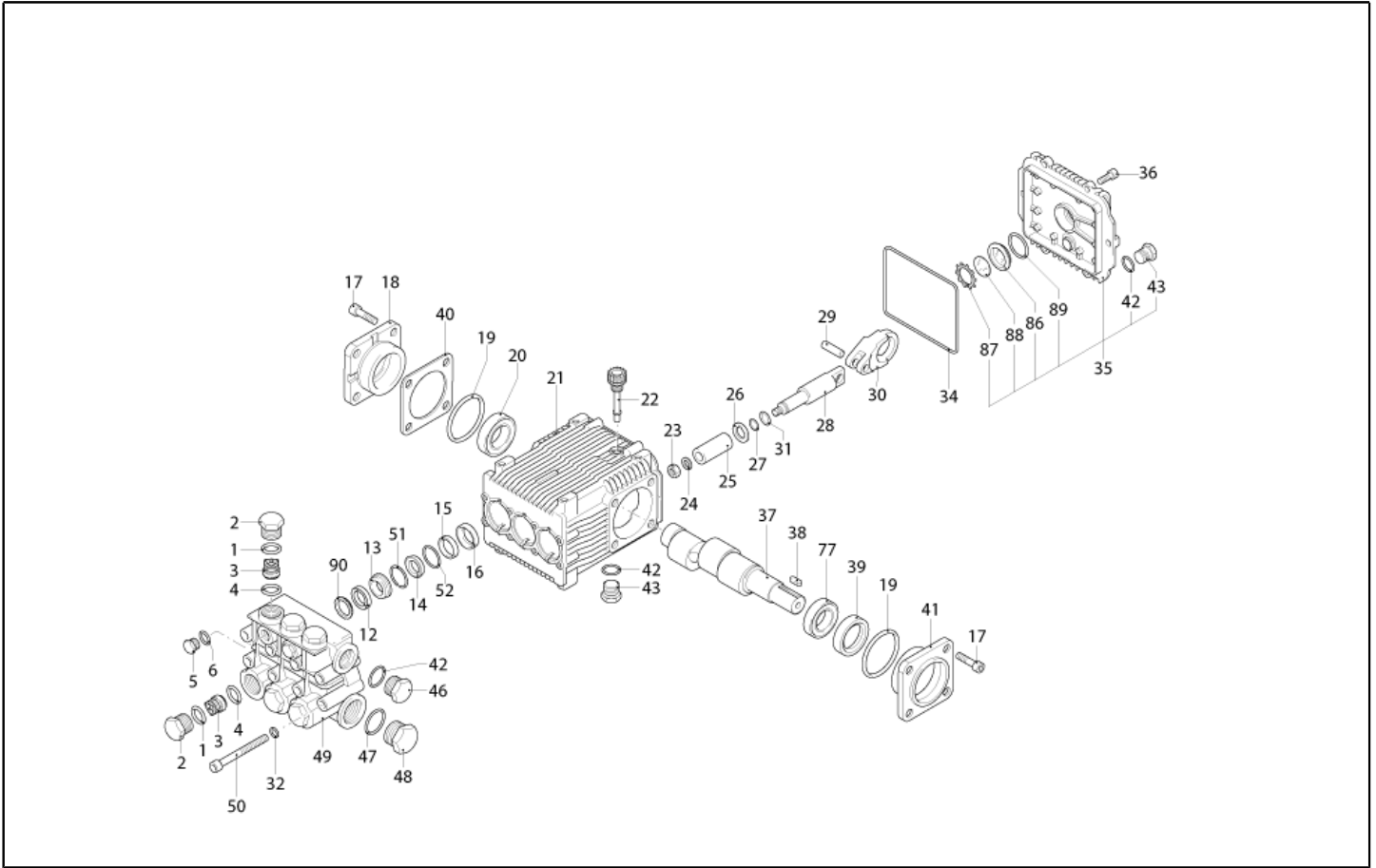
| Ref. K | Part N. | Customer Part N. | Description | Quantity | Validity | | Price |
|--------|-----------|------------------|---|----------|------------|------------|-------|
| | | | | | From | To | |
| 0001 | LAFN10272 | | MOTOR PLATE CB 3 | 1,00 | | | -- |
| 0002 | MOMB40012 | | BURNER MOTOR 240-50 IPX5 180W AO/C | 1,00 | | | -- |
| 0003 | MPVR40665 | | SCROLL CB4 -2PZ.GR. | 1,00 | | | -- |
| 0004 | VEVR34275 | | IMPELLER D.160-80 D.12.7 36P B.SX | 1,00 | | | -- |
| 0005 | PPGS40005 | | FUEL PUMP DNF BFA 01L3R2 | 1,00 | | | -- |
| 0006 | FGGT36513 | | JOINT HP 0.25 AACO | 1,00 | | | -- |
| 0007 | GUGO40062 | | GASKET PW-H100 MOT.BR. | 1,00 | | | -- |
| 0008 | RCDS00626 | | HOSE FITTING 1/4 M D. 5- 7 | 2,00 | | | -- |
| 0009 | VTRS04931 | | WASHER COPPER D.13X19X1.5 | 2,00 | | | -- |
| 0010 | RCVR14014 | | BI-CONE CONNEC. DTT 1/8" M B1 D. 2/ 4 NIK | 1,00 | | | -- |
| 0011 | FTCO40003 | | FUEL FILTER FB 7/TA 60mc NYL. | 1,00 | | 24/02/2016 | -- |
| 0011 | FTCO40004 | | FUEL FILTER FB 7/T 60mc NYL. | 1,00 | 25/02/2016 | | -- |
| 0012 | TBCO06945 | | L.P. HOSE D. 6-12 10BAR C.PRESS | 0,11 | | | -- |
| 0012 | TBCO06945 | | L.P. HOSE D. 6-12 10BAR C.PRESS | 1,00 | | | -- |
| 0012 | TBCO06945 | | L.P. HOSE D. 6-12 10BAR C.PRESS | 1,22 | | | -- |
| 0013 | FSVR11197 | | CLAMP D.I. 11 13315 | 2,00 | | | -- |
| 0014 | FSVR00427 | | CLAMP D. 12 CLIC 66-110 | 6,00 | | | -- |
| 0015 | GUGO88425 | | GASKET P245 EPDM | 1,00 | | | -- |
| 0016 | MPVR40766 | | CONVEYOR CB4-H100 PA6 | 1,00 | | | -- |
| 0017 | MECB46130 | | CABLE DLT L=1100 | 1,00 | | | -- |
| 0018 | RCVR40113 | | HOSE FITTING 1/8 M D. 5- 7 NIK | 3,00 | | | -- |



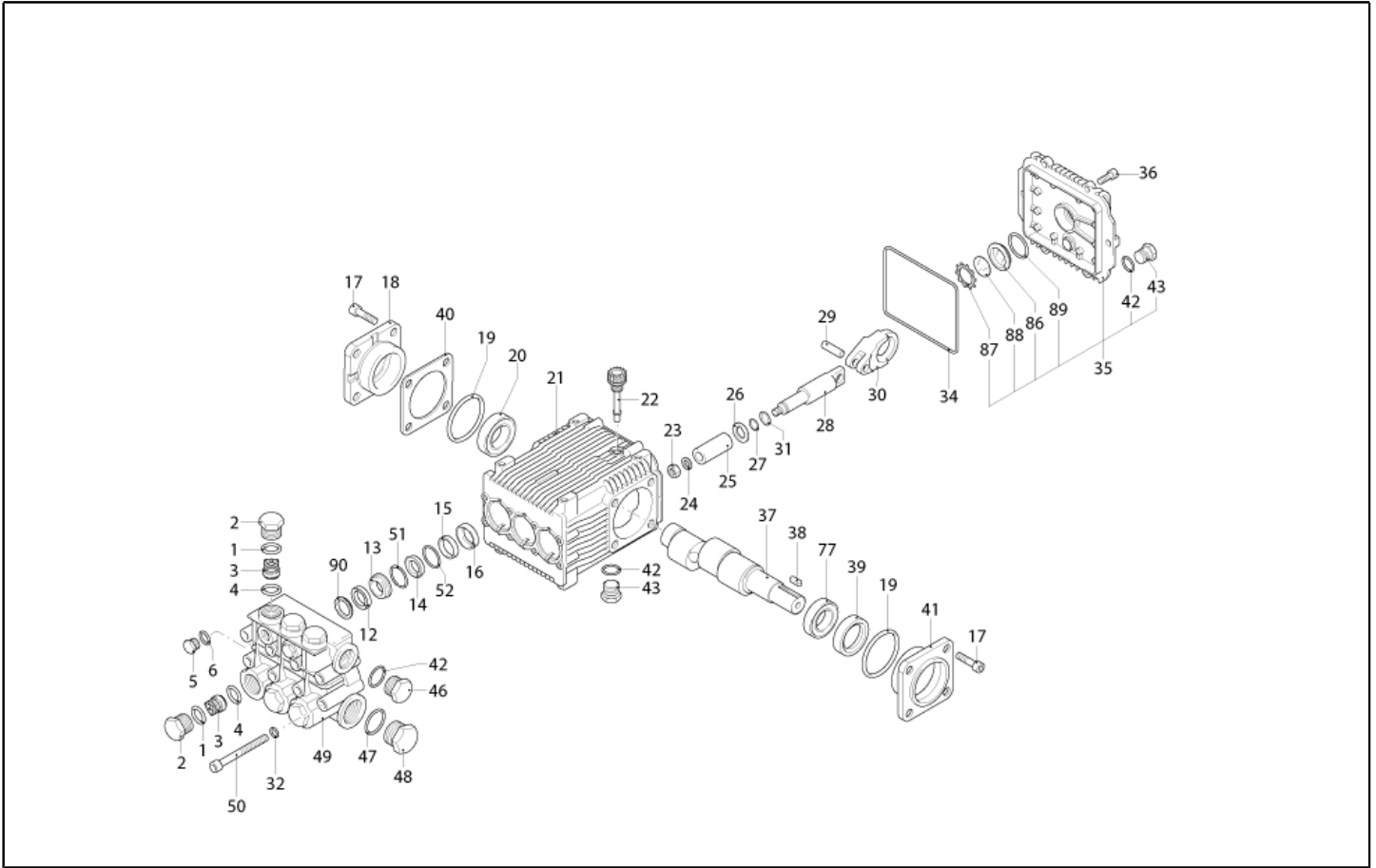
| Ref. K | Part N. | Customer Part N. | Description | Quantity | Validity | | Price |
|--------|-----------|------------------|---|----------|----------|----|-------|
| | | | | | From | To | |
| K | METT40019 | | CONTACTOR SIE 3RT 2025-1AC20 24V | 1,00 | | | -- |
| EV | MEBE43704 | | COIL DNF 24-50 | 1,00 | | | -- |
| FT | MECF40005 | | PHOTOELET.CELL LDS 057H7103 C/CNN. | 1,00 | | | -- |
| FT | MECB40363 | | CABLE N.557 2X1 SG L.500 CN. | 1,00 | | | -- |
| G1 | MECI40006 | | SENSOR LEVEL S1.PML.XD.FPJ FST. | 1,00 | | | -- |
| G2 | MECI34444 | | SWITCH REED N.C.H185 L=1300 | 1,00 | | | -- |
| IG | MECI40017 | | COMMUTAT.SWITCH 0-1-2 UN. | 1,00 | | | -- |
| TA | METR88630 | | TRANSFORMER 23/240V-5/60HZ 2X26KV TR. | 1,00 | | | -- |
| TR | METR40020 | | TRANSFORMER 25VA 240-415/24 5/60HZ PM | 1,00 | | | -- |
| TS | METK34839 | | THERMOSTAT 60°C TR/711-N C.1.5 | 1,00 | | | -- |
| CV1 | MECB40146 | | CABLE H07 RNF 4X2.5 L=6.800 | 1,00 | | | -- |
| CV1 | MEVR40212 | | PLUG PDL 20A 3P+T 500 V S.56PA | 1,00 | | | -- |
| EC1 | MECE40045 | | PCB PW T-SI/MP V.PL.+CO-Ntc | 1,00 | | | -- |
| EC2 | MECE40041 | | PCB LED PW 4/5 GR. FLT. | 1,00 | | | -- |
| NTC | MEVR40150 | | PROBE NTC/150 IP65 C.1000 | 1,00 | | | -- |
| POT S | MEVR40149 | | POTENTIOMETER VSH P11S1V0FLSY 5/10K LN. | 1,00 | | | -- |
| P1,2 | MEPF76254 | | PRESSURE SWITCH PR 5 1/4M 25BAR | 2,00 | | | -- |



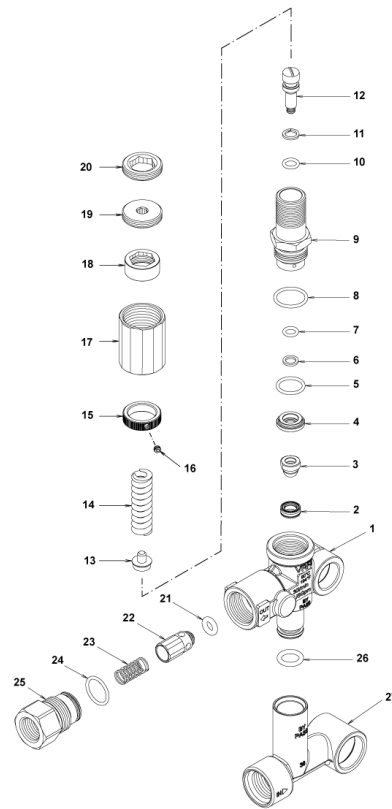
| Ref. K | Part N. | Customer Part N. | Description | Quantity | Validity | | Price |
|--------|-------------|------------------|---------------------------------|----------|----------|----|-------|
| | | | | | From | To | |
| 0001 | GUGO03502 | | O-RING D. 17.86 X 2.62 NBR 70SH | 6,00 | | | -- |
| 0002 | PVVR40161 | | CAP AR RR | 6,00 | | | -- |
| 0003 | S VVAM40003 | | VALVE UNIT RR | 6,00 | | | -- |
| 0004 | S GUGO02259 | | O-RING D. 15.54 X 2.62 NBR 70SH | 6,00 | | | -- |
| 0005 | PVVR40129 | | CAP 1/4 M RC | 2,00 | | | -- |
| 0006 | GUGO01036 | | O-RING D. 10.82 X 1.78 NBR 70SH | 2,00 | | | -- |
| 0012 | S GUVR40051 | | PACKING D. 22 RK W1 | 3,00 | | | -- |
| 0013 | PVVR40212 | | INTERMED. RING D.22 RK | 3,00 | | | -- |
| 0014 | S GUVR40050 | | PACKING D. 22 RK W2 | 3,00 | | | -- |
| 0015 | PVVR40210 | | SPACER D. 35 RK | 3,00 | | | -- |
| 0016 | S GUGO40022 | | OIL SEAL RK | 3,00 | | | -- |
| 0017 | VTVT01118 | | SCREW TCEI M 8X16 ZC. UNI 5931 | 8,00 | | | -- |
| 0018 | MFVR40038 | | CRANKASE COVER AR RK LT. | 1,00 | | | -- |
| 0019 | S GUGO01053 | | O-RING D. 60 X 2.62 NBR 70SH | 2,00 | | | -- |
| 0020 | CUVR40011 | | BEARING 30304 DQ | 1,00 | | | -- |
| 0021 | MFVR40039 | | PUMP CRANKCASE AR RK | 1,00 | | | -- |
| 0022 | PVVR19231 | | OIL CAP XTS | 1,00 | | | -- |
| 0023 | VTDD00483 | | NUT M 8 ZIN UNI 5588 | 3,00 | | | -- |
| 0024 | VTRS19394 | | WASHER D. 8X13X0.5 | 3,00 | | | -- |
| 0025 | S PIVR40009 | | PISTON D.22X40 RK | 3,00 | | | -- |
| 0026 | PVVR40218 | | DISC RK | 3,00 | | | -- |
| 0027 | GUGO08071 | | O-RING D. 4.48 X 1.78 NBR 70SH | 3,00 | | | -- |
| 0028 | PVVR40217 | | PISTON GUIDE RK | 3,00 | | | -- |
| 0029 | PVVR40211 | | GUDGEON D. 10X25 RK | 3,00 | | | -- |
| 0030 | BLVR40005 | | CONNECTING ROD RK | 3,00 | | | -- |
| 0031 | GUVR40044 | | ANTI-EXTR.RING D. 5 X 8 X1 | 3,00 | | | -- |
| 0032 | VTRS00504 | | WASHER D. 8 TE ZC. UNI 6592 | 8,00 | | | -- |
| 0034 | S GUGO40023 | | O-RING D. 106 X 3 NBR 70SH | 1,00 | | | -- |
| 0035 | MFVR40041 | | CRANKASE COVER AR RK | 1,00 | | | -- |
| 0036 | VTVT01114 | | SCREW TCEI 6X14 UNI 5931 | 6,00 | | | -- |
| 0037 | ALMO40017 | | SHAFT AR RK20.19 NC | 1,00 | | | -- |
| 0038 | VTVR41531 | | KEY 8X 7X35 UNI 6604A | 1,00 | | | -- |
| 0039 | S GUGO01245 | | OIL SEAL 25X 45X10-L-CM -NBR70 | 1,00 | | | -- |
| 0040 | PVVR40214 | | THICKNESS AR 0,20 mm | 1,00 | | | -- |
| 0041 | MFVR40040 | | CRANKASE COVER AR RK LAT. OPEN | 1,00 | | | -- |
| 0042 | GUGO09720 | | O-RING D. 14 X 1.78 NBR 70SH | 3,00 | | | -- |
| 0043 | PVVR40099 | | CAP 3/8 M HRM | 1,00 | | | -- |
| 0046 | PVVR40099 | | CAP 3/8 M HRM | 1,00 | | | -- |
| 0047 | GUGO19245 | | O-RING D. 17.5 X 2 NBR 70SH | 1,00 | | | -- |
| 0048 | PVVR40121 | | CAP 1/2 M RC | 1,00 | | | -- |
| 0049 | MFVR40042 | | HEAD AR RK OT. | 1,00 | | | -- |
| 0050 | VTVT37530 | | SCREW TCEI M 8X70 UNI 5931 | 8,00 | | | -- |
| 0051 | S GUGO10379 | | O-RING D. 22 X 2 NBR 70SH | 3,00 | | | -- |
| 0052 | S GUGO40024 | | O-RING D. 28.25 X 1.78 NBR 70SH | 3,00 | | | -- |



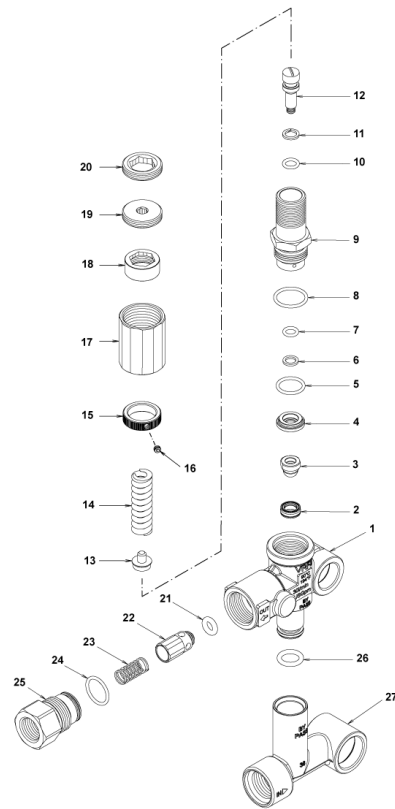
| Ref. K | Part N. | Customer Part N. | Description | Quantity | Validity | | Price |
|--------|-----------|------------------|---------------------------------|----------|----------|----|-------|
| | | | | | From | To | |
| 0077 | CUVR66788 | | BEARING D.25X52X16,25 30205 SKF | 1,00 | | | -- |
| 0086 | PVVR19238 | | OIL INDICATOR XTS | 1,00 | | | -- |
| 0087 | VTAE19239 | | SEEGER 0,5 X25,35X16,0 | 1,00 | | | -- |
| 0088 | PVVR40199 | | DISC CONTRASTO POMPA RW | 1,00 | | | -- |
| 0089 | GUGO19395 | | O-RING D. 20.24 X 2.62 NBR 70SH | 1,00 | | | -- |



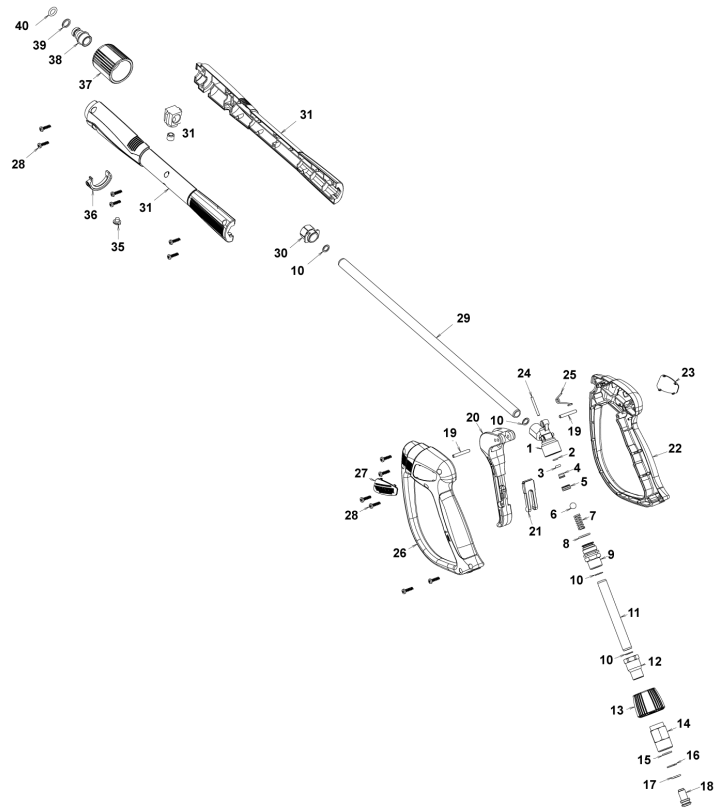
| Ref. Part N. | Cust. Part N. | Description | Reference | Price |
|--------------|---------------|------------------------|---------------------|-------|
| K A | KTRI40142 | KIT P 15-42909 RR | 0003 0004 | -- |
| K B | KTRI40166 | KIT P 15-2526 D.22 RK | 0025 | -- |
| K C | KTRI40167 | KIT P 15-1855 RK | 0016 0019 0034 0039 | -- |
| K E | KTRI40168 | KIT P 15-42925 D.22 RK | 0012 0014 0051 0052 | -- |



| Ref. K | Part N. | Customer Part N. | Description | Quantity | Validity | | Price |
|--------|-------------|------------------|-----------------------------------|----------|----------|----|-------|
| | | | | | From | To | |
| 0001 | PVVR40362 | | VALVE BODY VRF2 | 1,00 | | | -- |
| 0002 | S PVVR40363 | | VALVE SEAT MV124 +OR | 1,00 | | | -- |
| 0003 | S PVVR40364 | | COUPLING MV124 | 1,00 | | | -- |
| 0004 | S PVVR40365 | | SPACER MV124 | 1,00 | | | -- |
| 0005 | S GUGO12322 | | O-RING D. 14 X 1.78 NBR 90SH | 1,00 | | | -- |
| 0006 | S GUVR40072 | | ANTI-EXTR.RING D. 6.5X 9.4 | 1,00 | | | -- |
| 0007 | S GUGO83861 | | O-RING D. 6.07 X 1.78 NBR 90SH | 1,00 | | | -- |
| 0008 | S GUGO24913 | | O-RING D. 17.17 X 1.78 NBR 90SH | 1,00 | | | -- |
| 0009 | S PVVR40388 | | CONNECTOR VRF2 RG.165 56A | 1,00 | | | -- |
| 0010 | S GUGO03500 | | O-RING D. 6.75 X 1.78 NBR 70SH | 1,00 | | | -- |
| 0011 | S GUVR40073 | | ANTI-EXTR.RING D. 7.1X10 X1.2 TBT | 1,00 | | | -- |
| 0012 | S PVVR40367 | | SMALL PISTON D.10 VRF2 | 1,00 | | | -- |
| 0013 | S PVVR40368 | | SPRING PLATE MV124 25B | 1,00 | | | -- |
| 0014 | S MLML47987 | | SPRING D. 3.25X41.1 MV 625 | 1,00 | | | -- |
| 0015 | S PVVR40369 | | RING NUT MV167.09 | 1,00 | | | -- |
| 0016 | S VTVT89696 | | SCREW EI-ST 4X 4 UNI5927 ZC | 1,00 | | | -- |
| 0017 | S PVVR47989 | | CAP MV 625 REG. | 1,00 | | | -- |
| 0018 | S PVVR47990 | | RING NUT MV 625 REG. | 1,00 | | | -- |
| 0019 | S PVVR47991 | | REGISTER MV 625 REG. | 1,00 | | | -- |
| 0020 | S PVVR47992 | | CLAMP MV 625 REG. | 1,00 | | | -- |
| 0021 | S GUGO46053 | | O-RING D. 6 X 3 NBR 90SH | 1,00 | | | -- |
| 0022 | PVVR40349 | | COUPLING VRT3 | 1,00 | | | -- |
| 0023 | MLML40026 | | SPRING VRT3 | 1,00 | | | -- |
| 0024 | S GUGO12321 | | O-RING D. 15.6 X 1.78 NBR 90SH | 1,00 | | | -- |
| 0025 | PVVR40350 | | CONNECTOR VRT3 G 3/8F | 1,00 | | | -- |
| 0026 | GUGO11225 | | O-RING D. 10.78 X 2.62 NBR 70SH | 1,00 | | | -- |
| 0027 | PVVR40373 | | CONNECTOR VRF2.24 | 1,00 | | | -- |



| Ref. Part N. | Cust. Part N. | Description | Reference | Price |
|--------------|---------------|------------------------|---|-------|
| KTRI40256 | | KIT P 14-105 VRF2 Reg. | 0002 0003 0004 0005 0006 0007 0008 0009 0010 0011 0012 0013 0014 0015 0016 0017 0018 0019 0020 | -- |
| KTRI40237 | | KIT P 14-104 SEAL VRF2 | 0002 0003 0005 0006 0007 0008 0010 0011 0021 0024 | -- |



| Ref. K | Part N. | Customer Part N. | Description | Quantity | Validity | | Price |
|--------|-----------|------------------|---------------------------------|----------|----------|----|-------|
| | | | | | From | To | |
| 0001 | PVVR40381 | | GUN BODY G 5100 G1/4F | 1,00 | | | -- |
| 0002 | S | GUVR40074 | ANTI-EXTR.RING D. 3 X 7.4X1.3 | 1,00 | | | -- |
| 0003 | S | GUGO21835 | O-RING D. 2.84 X 2.62 VIT. 80SH | 1,00 | | | -- |
| 0004 | | PVVR40382 | PISTON GUIDE G 5100 | 1,00 | | | -- |
| 0005 | S | PVVR40112 | BALL SEAT G 5000 | 1,00 | | | -- |
| 0006 | S | SFVR40002 | BALL D.11/32" ALL.GR16 | 1,00 | | | -- |
| 0007 | | MLML40016 | SPRING D. 9.4 x21.5x1.6 G5000 | 1,00 | | | -- |
| 0008 | | GUGO12322 | O-RING D. 14 X 1.78 NBR 90SH | 1,00 | | | -- |
| 0009 | | PVVR40383 | CONNECTOR COLL.G5100 1/4F | 1,00 | | | -- |
| 0010 | | VTRS40017 | WASHER D. 8,2X11,4X1,00 | 4,00 | | | -- |
| 0011 | | PVVR40384 | TUBE G 1/4" L.105 | 1,00 | | | -- |
| 0012 | | RCIN40022 | CONNECTOR SWIV G5100 1/4F | 1,00 | | | -- |
| 0013 | | MPVR40819 | RING NUT G 5100 SW. BK. | 1,00 | | | -- |
| 0014 | | RCIN40021 | JOINT SWIV 5100 M22 | 1,00 | | | -- |
| 0015 | S | GUVR40075 | ANTI-EXTR.RING D. 10 X14X1.5 | 1,00 | | | -- |
| 0016 | S | GUVR40076 | ANTI-EXTR.RING D. 11.2X14X1.2 | 1,00 | | | -- |
| 0017 | S | GUGO15295 | O-RING D. 10.82 X 1.78 VIT 75SH | 1,00 | | | -- |
| 0018 | | PVVR40386 | SCREW SW. G 5100 | 1,00 | | | -- |
| 0019 | | VTVR40047 | PLUG D. 4X29 | 2,00 | | | -- |
| 0020 | | MPVR40820 | TRIGGER G 6000-SW | 1,00 | | | -- |
| 0021 | | MPVR40821 | SAFETY-DEVICE G 6000-SW | 1,00 | | | -- |
| 0022 | | MPVR40822 | SHELL G 6000-SW DX | 1,00 | | | -- |
| 0023 | | MPVR40823 | PLATE G 6000 GR.DX | 1,00 | | | -- |
| 0024 | | PVVR40387 | SMALL PISTON G 5100 | 1,00 | | | -- |
| 0025 | | MLML40029 | SPRING G 5100 | 1,00 | | | -- |
| 0026 | | MPVR40824 | SHELL G 6000-SW SX | 1,00 | | | -- |
| 0027 | | MPVR40825 | PLATE G 6000 GR.SX | 1,00 | | | -- |
| 0028 | | VTVT40043 | SCREW AF 4X 14 HILO ZN.N | 12,00 | | | -- |
| 0029 | | LCPR40086 | TUBE 1/4 L=420 ZC. 0° | 1,00 | | | -- |
| 0030 | | MPVR40493 | CONNECTOR G 5100-SW | 1,00 | | | -- |
| 0031 | | MPVR40494 | PROTECTION P 420 C/AN. | 1,00 | | | -- |
| 0035 | | MPVR40198 | CAP G 5000 | 1,00 | | | -- |
| 0036 | | MPVR40495 | CAP G 5100 REM. | 1,00 | | | -- |
| 0037 | | PVVR40119 | CONNECTION M22X1,5 IRV G5000 | 1,00 | | | -- |
| 0038 | | RCIN40009 | GUDGEON G 1/4 F IRV G5000 | 1,00 | | | -- |
| 0039 | | GUVR40034 | ANTI-EXTR.RING D. 10 X14 | 1,00 | | | -- |
| 0040 | | GUGO01946 | O-RING D. 9.13 X 2.62 VIT 70SH | 1,00 | | | -- |

POWERBLAST
PREMIUM PRODUCTS

Congratulations on your new POWERSHOT product.

We are proud to have you as our customer and will strive to provide you with the best service and reliability in the industry. This product is backed by our extensive service network. To locate your nearest distributor call 1800 812 223, or email us at sales@powerblast.com.au.